

4

3

2

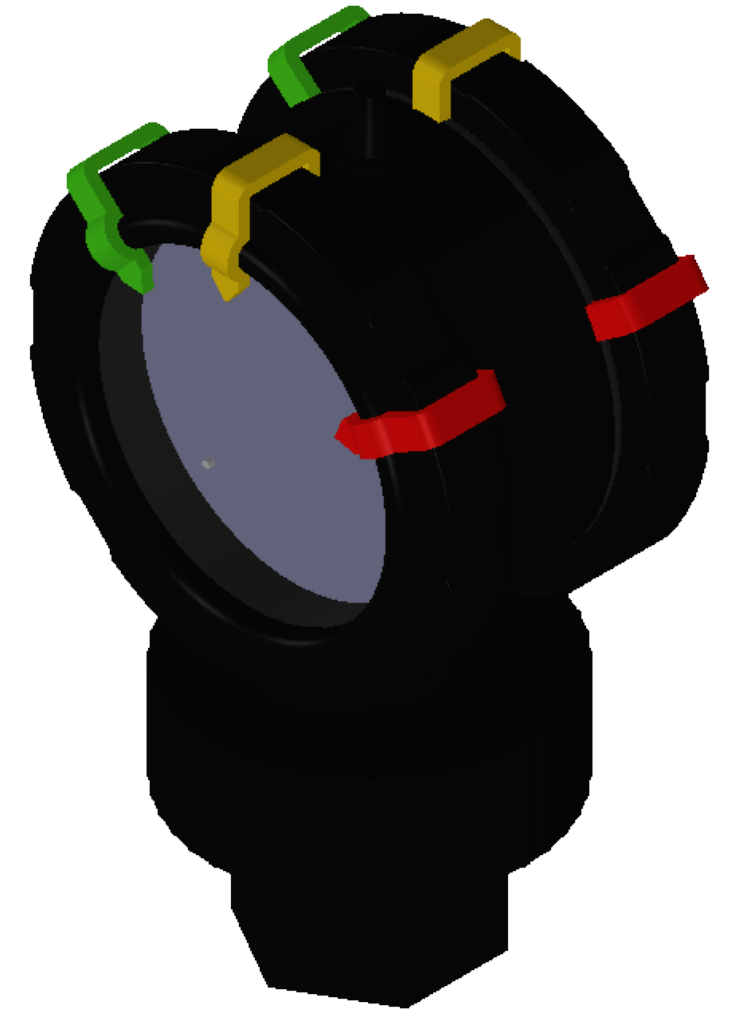
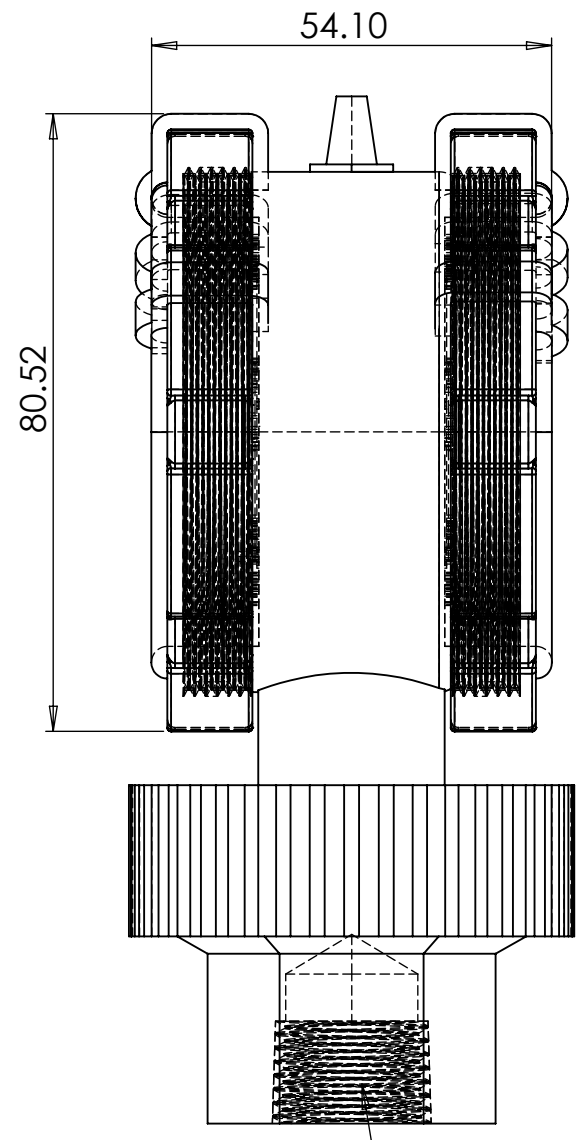
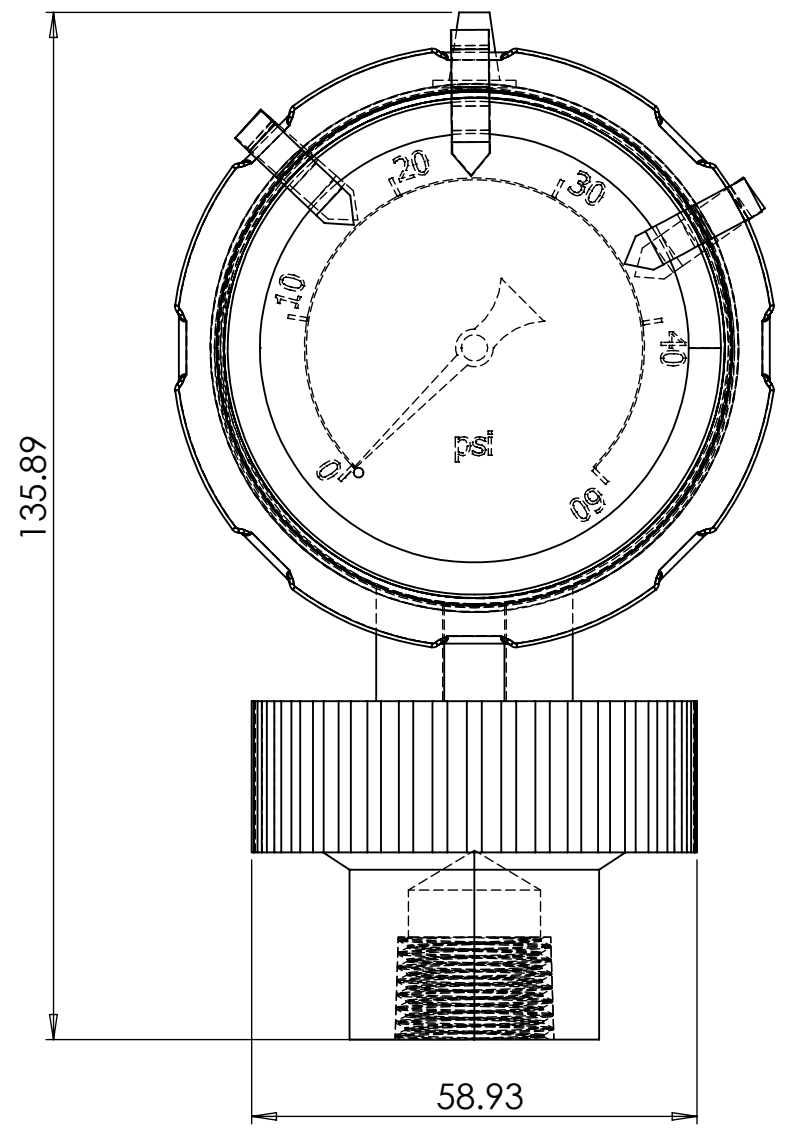
1

B

B

A

A



<b>ICON PROCESS CONTROLS</b> ADDRESS:- 1075 NORTH SERVICE ROAD W UNITS 1-4, OAKVILLE, ON L6M 2G2 EMAIL:- SALES@ICONPROCON.COM PHONE:- 905-469-9283		NAME	DATE	
	DRAWN	PATEL J	3/2/2020	
	CHECKED	CSR		
	PROJECTION:-			DESCRIPTION:- 2VU SERIES Double Sided Plastic Pressure Gauge & Isolator
	UNITS:-	MM		
	COPYRIGHT©ICON PROCESS CONTROLS,CA. ALL RIGHTS RESERVED			
NOTE:- -DRAWING NOT TO SCALE -DEMNSIONS SUBJECTED TO CHANGE				SCALE: 1:1 SHEET 1 OF 1

4

3

2

1