

4

3

2

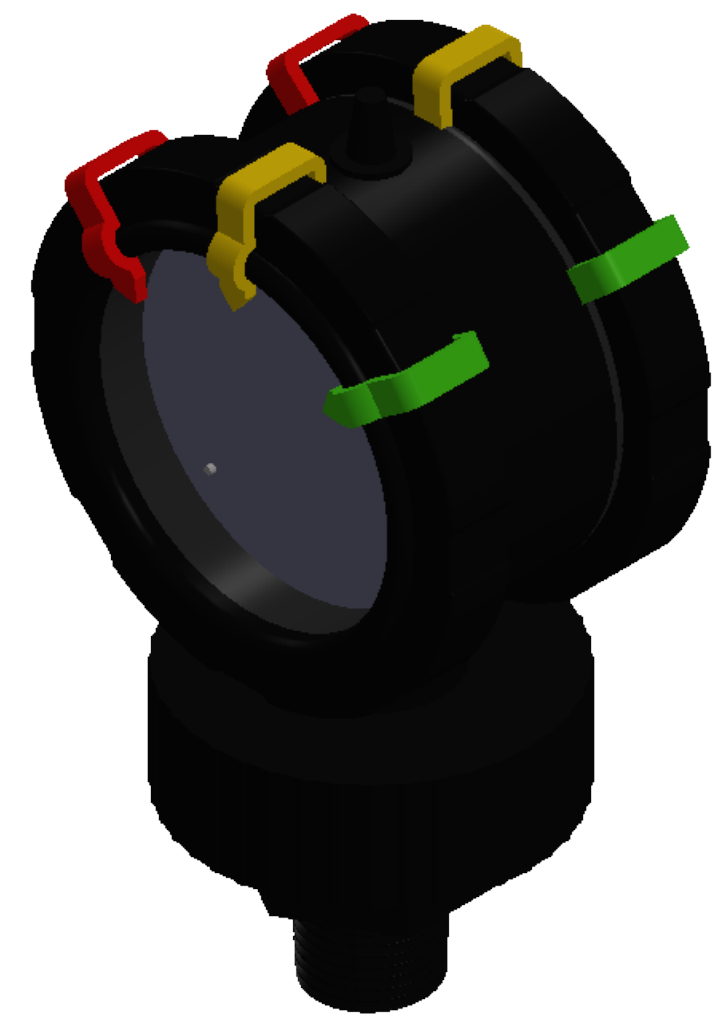
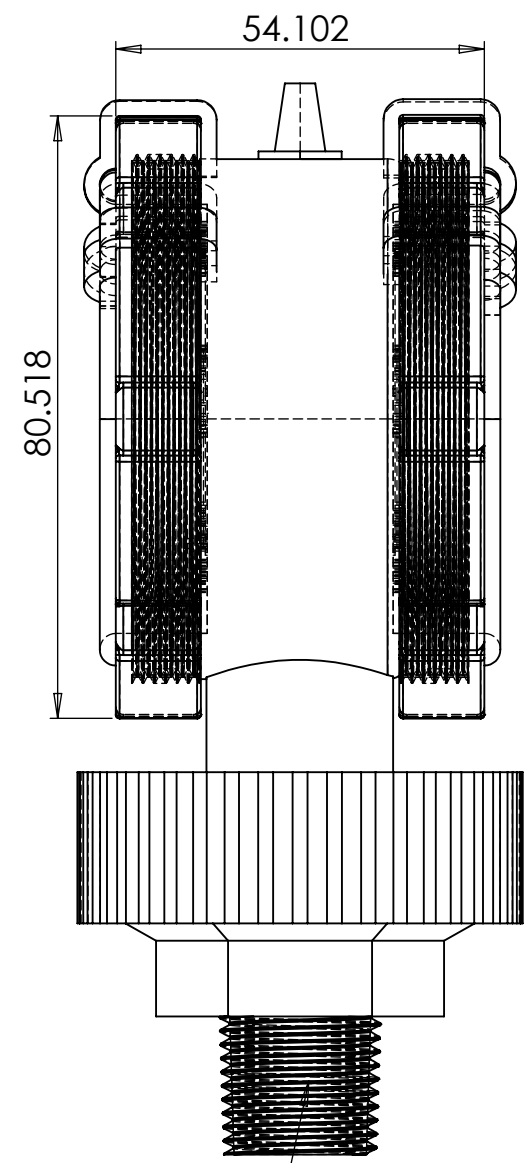
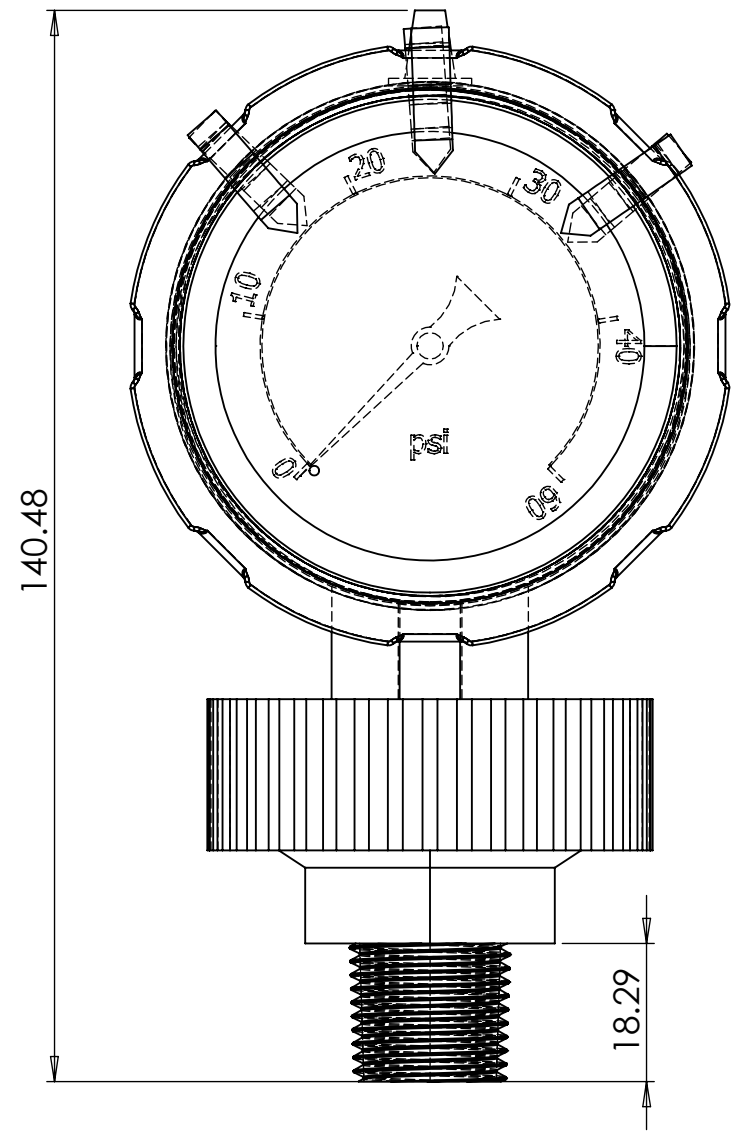
1

B

B

A

A



1/2 INCH NPT MALE

ICON PROCESS CONTROLS ADDRESS:- 1075 NORTH SERVICE ROAD W UNITS 1-4, OAKVILLE, ON L6M 2G2 EMAIL:- SALES@ICONPROCON.COM PHONE:- 905-469-9283		NAME	DATE		
	DRAWN	PATEL J	3/2/2020		
	CHECKED	CSR			
		PROJECTION:-			DESCRIPTION:- 2VU SERIES Double Sided Plastic Pressure Gauge & Isolator
		UNITS:-	MM		
		COPYRIGHT©ICON PROCESS CONTROLS,CA. ALL RIGHTS RESERVED			SIZE PART. NO. B 2VU-P_PP_PF-0-60_100_160-M
	NOTE:-	-DRAWING NOT TO SCALE -DEMNSIONS SUBJECTED TO CHANGE		SCALE: 1:1 SHEET 1 OF 1	

4

3

2

1