

The **Levelpro LP200** was designed to measure Pressure or Level within industry's most demanding corrosive process applications. When measuring pressure It can be mounted vertically or horizontally, and can easily be installed into a threaded process pipe tee fitting. For level measurement applications the LP200 can simply be mounted into the side of the tank utilizing a NPT / G type bulkhead or weld-o-let fitting.

The LP200 implements a state of the art ceramic measuring principle that changes the physical pressure which equates to no more than a few microns into a linear electronic signal that can be measured.

This minimal deformation equates to negligible material strain of the ceramic electronic pressure-sensing diaphragm resulting in high resistance to alternating loads and long-term durability...exactly what is required for tough industrial applications.



Typical Applications

- Chemicals / Acids / Bases
- Tank Level
- Industrial Process Piping
- Vapor Pressure
- Leak Detection Equipment
- Environmental Protection
- Scrubbers Filter / Strainer Notification
- Leachate Collection
- Weir Flow
- Scrubbers

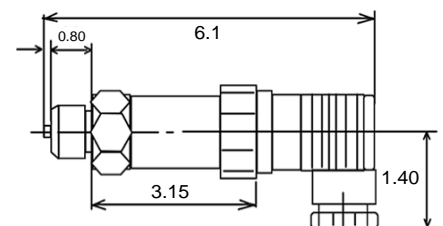
Features

- PP / PVDF / 316 SST Body
- Pressure Range / 0 - 225 psi
- Output / 4-20mA / 2 Wire Loop Powered
- NPT / G / Union Type Connection
- Ceramic Sensing Diaphragm
- Plug & Play Design
- High Accuracy
- No Programming Required
- Temperature Compensated
- Excellent Chemical Resistance

SPECIFICATIONS

Range	0 - 225 psi / (Other Ranges Available)
Medium	Gas & Liquid
Accuracy	0.2% or 0.5% F.S
Working pressure	18 - 36V DC
Output signal	4-20mA / two-wire
Medium temp	-30 - 85°C
Environment temp	-30 - 80°C
Store temp	-30 - 80°C
Temp. effect	±0.02% FS
Pressure connection	3/4" NPT / G Type / 1/2" Union Type
Connection	DIN Hirschmann Connector

Dimensions

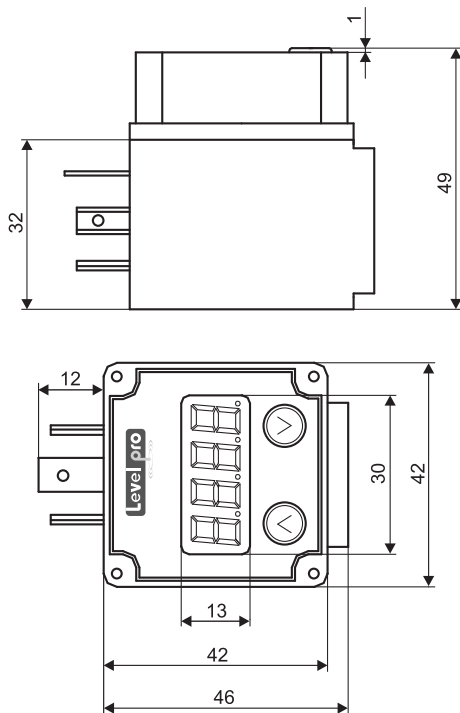




Features

- Local Display of Measured Value
- Direct Mounting
- 4-digit Bright LED
- Easy 2 Button Programming
- Relay Output
- Powered from Current Loop / 4-20mA

Dimensional Drawing

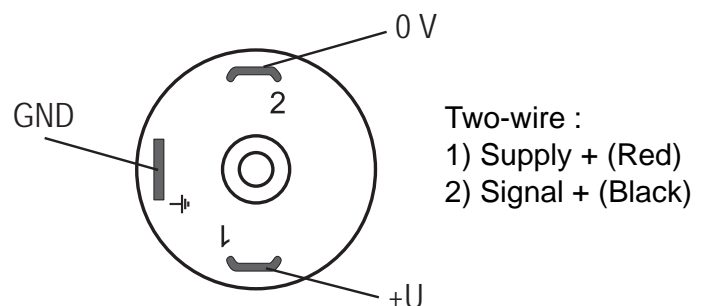


SPECIFICATIONS

Input signal	4-20mA
Voltage drop	< 2.5 V
Accuracy	0.1 % ± 1 digit
Display	4 digit LED / Height of digit 7mm
Ambient temperature range	-20 - 70°C
Storage temperature range	-30 - 85°C
Connection	Connector acc. to DIN 43 650
Housing	plastic ABS
Protection class	IP65
Dimension	42 x 46 x 49 mm
Weight	approx. 80 g

Electrical Connection

Positive pole (+ U) is connected to pin No. 1, negative pole (0 V) is connected to pin No. 2. The plug-on display is powered by the current 4-20mA loop, no additional auxiliary power is required.



ORDERING

Size	Part Number	Material
1/2"	LP200-1-0	PP
1/2"	LP200-1-0	PVDF
3/4"	LP200-PP	PP
3/4"	LP200-PF	PVDF

* Add Suffix - 'L' after part number for addition of LED Display