

- Non-Contact
- Senses through Wall
- Relay Output

Conductive and Non-Conductive Liquids

The NC30 Non-Contact liquid Level / Flow Sensor has been designed using high frequency technology to sense the presence of liquid / conductive / non conductive Suitable for Non-Metalic Tubing / Tanks / Drums / Pipe



FEATURES

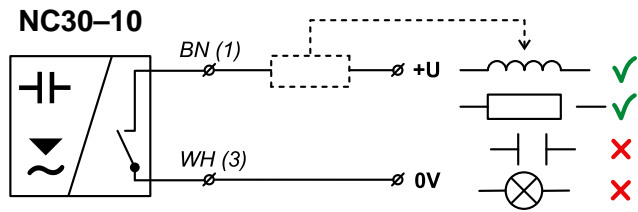
- All Plastic PP Design
- Non-Intrusive Liquid Level / Flow Detection through Plastic or Fiberglass Walls
- Small Footprint / Easy to Install
- LED Display
- M12 Disconnect or Fixed Cable Connector
- Fits on ½" - 2" Diameter Pipe / Sch 40 / 80
- Senses up to 0.3" / (8mm) Wall Thickness

MODELS	NC30-10	- V Design sensing electrode face for piping and tubing applications.
	NC30-11	- Flat electrode for installation on drums and tanks

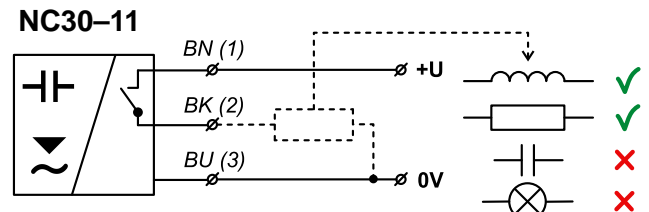
SPECIFICATIONS

Supply voltage		6 -30VDC
Supply current	- Output type / Pulse - Output type / S - Relay	Max. 0.6 / 7mA (OFF / ON State) Max. 0.6mA (OFF State)
Switched current (Min / Max)	- Output type / Pulse - Output type / S - Relay	100mA 3.3mA / 40mA
Remanent voltage – ON state	- Output type / Pulse - Output type / S - Relay	1.8 V 6.0 V
Switching frequency		Max. 1 Hz
Max. thickness of the vessel wall	- Conductive liquids - Non-conductive liquids with $\epsilon_r < 10^*$	0.3" / (8 mm) 0.11" / (3 mm)
Ambient temperature range		-20 / +80°C
Temperature range at the tube or vessel surface		-20 / +90°C
Housing material		Plastic (PP)
Protection class		NEMA 4X / IP67
Cable Connection		PVC PVC
Weight (including 2 m cable)		Approx. 60 g

ELECTRICAL CONNECTION



Connection scheme of sensor with "S" type output



Connection scheme of sensor with "PNP" type output

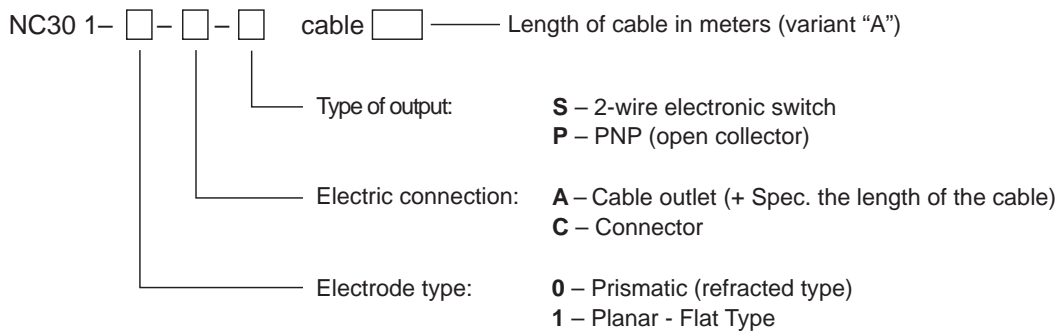
Note:

The sensor output is short circuit protected.
Shielded Cable is recommended

Legend:

- BN – Brown
- WH – White
- BU – Blue

ORDER CODE



DIMENSIONS DRAWINGS

