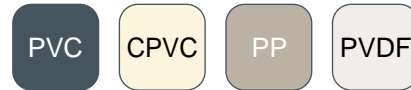


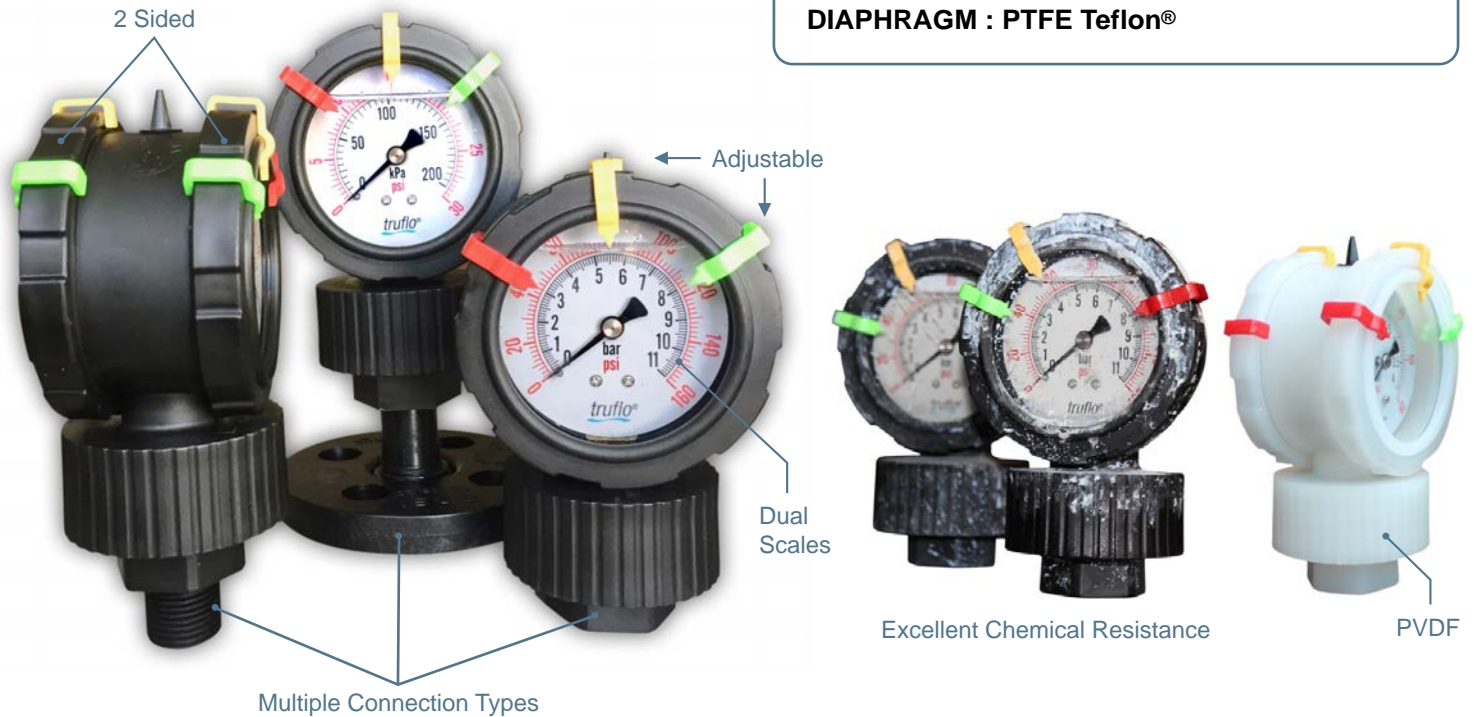
- One Piece / Double-Sided Design
- No Filling or Assembly Required
- Adjustable Range Markers



SERIES : 2VU

CONNECTION : 1/2" (M) / (F) NPT / G / Flange

DIAPHRAGM : PTFE Teflon®



FEATURES

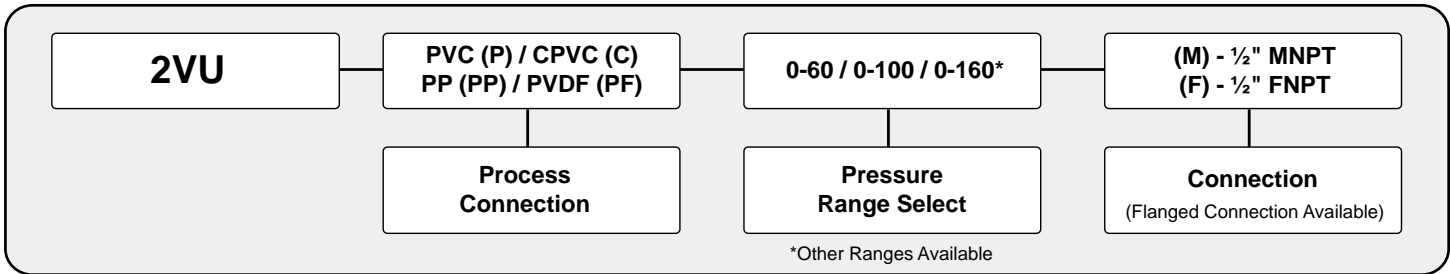
- Industry's First All Plastic Double Sided Gauge
- Heavy Duty Rugged Design
- Completely Corrosion Resistant
- Designed to Act as Visual Pressure Alert
- Extra Large Color Display
- Reduces Pressure Surges caused by Water Hammer / Metering Pump Pulsations
- Highest Accuracy in Industry / $\pm 1.5\%$
- Factory Filled / Glycerin or Silicone (Opt)
- Dual Scale / psi/kPA / psi/bar (Opt)
- One-Piece Molded Design
- Suitable for Corrosive Media + Slurries

SPECIFICATIONS

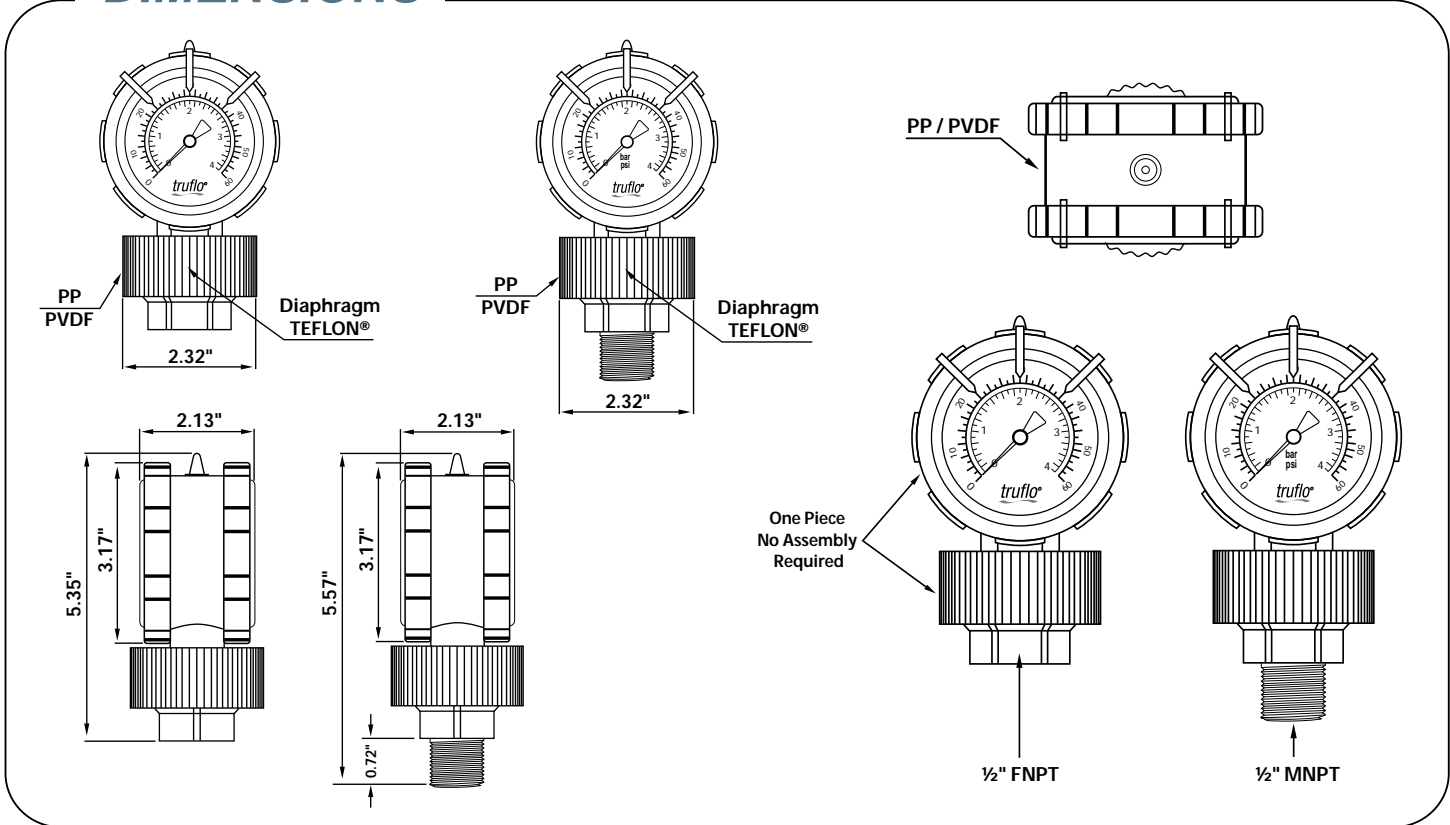
Dial Diameter	Large 2 1/2" Face / Big Numbers / Clear Markers
Mounting	Bottom / 1/2" Connection
Housing	PVDF or Polypro / PTFE Teflon® Diaphragm / One Piece Molded Design (No Assembly or Filling Required)
Lens	High Impact Polycarbonate
Dial	Red & Black Scale White Background, dial arc 270°
Measuring Principle	Bourdon Tube Teflon® Diaphragm
Movement	SS316 / Brass (Non Wetted)
Gauge	3 Adjustable Plastic Markers / Pressure Range Pointers fitted on the Bezel
Connection	1/2" NPT (M) / (F) / G Type / Flange
Filling	Glycerin / Silicone (Opt)
Accuracy	$\pm 1.5\%$
Operating temperature	PVC 140°F / CPVC 180°F / PP 170°F / PVDF 195°F
Pressure Range*	Standard Ranges / 0-60 / 0-100 / 0-160 psi (Second Scale: kPA) Other units available / bar / MPa / Other Scales Available - Consult Factory

* (Non-Shock)

HOW TO ORDER



DIMENSIONS



INSTALLATION

Do not tighten by grasping the case of the gauge as this may cause damage.

1. Before installing the 2VU Series pressure gauge, ensure attention is given to the Process Liquid, Chemical Compatibility, Temperature, Vibration, Pressure Spikes and other climatic and application related conditions that may adversely affect the performance.
2. The user shall ensure that the correct gauge pressure range and the correct materials of construction are selected.

