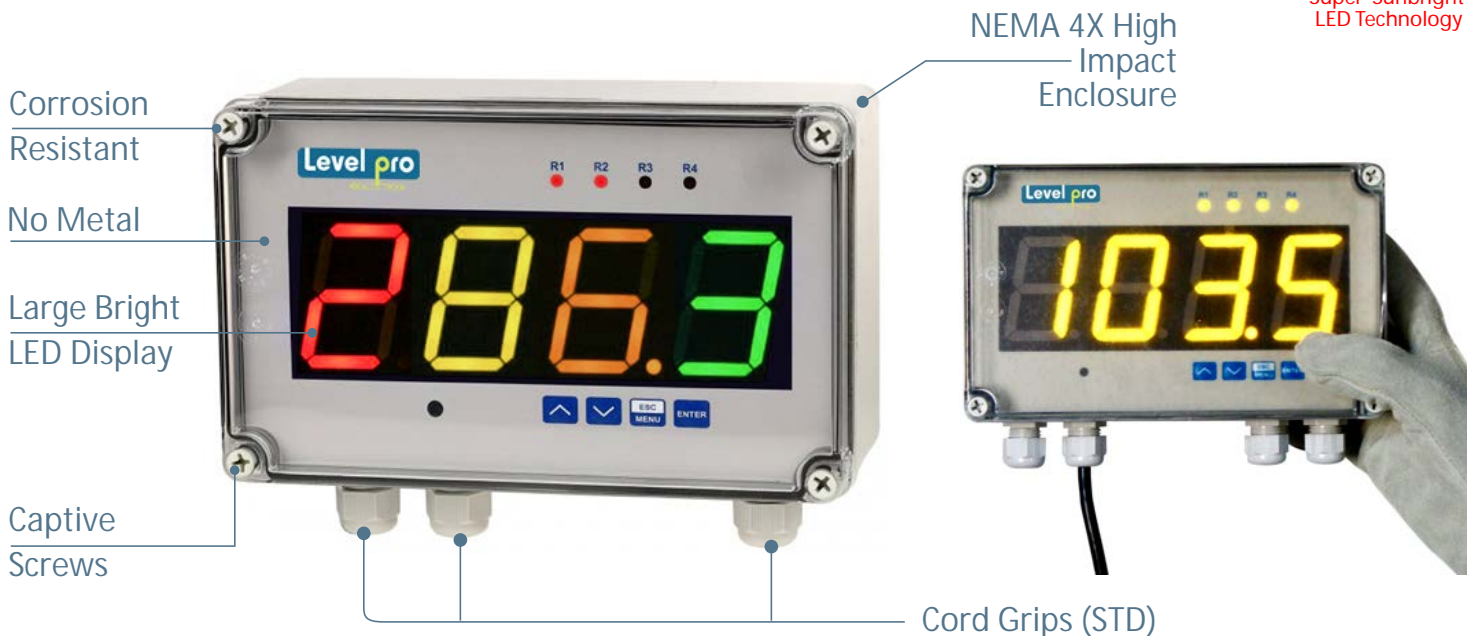


- X-Large Multi-Color / Universal Inputs
- Flow / Level / Temp / Pressure
- Eliminates Need for Stack-Lights
- Visual Indication of Process Conditions



FEATURES

- Industry's Largest Multi-Color LED Display
7 Different Colors / 2 1/4" High
- Extra Bright LED / Outdoor Service
- Indication of Upset Conditions / Low / High / Out of Bounds
- Universal input: 0/4-20mA / 0-10V / 0-150mV RTD / PH
- Relay Outputs + 4-20mA Repeater
- RS-485 / Modbus RTU (Standard)
- Optional Remote Control for Programming
- Includes NEMA 4X Enclosure + Cord Grips
- 24VDC Power Supply for Sensor
- Eliminates the Need for Stack-Lights

SPECIFICATIONS

| | |
|-------------------------|--|
| Power supply | 19V - 50VDC / 85 - 260VAC/DC |
| Power consumption | |
| Display | Super Bright LED / (4 x 2 1/4") (57 mm) High |
| Displayed values | Multicolor -999 - +9999 |
| Input | Current: 0-20mA or 4-20mA, Input current limited to 50mA Voltage: 0-5V / 1-5V / 0-10V or 2-10V / input resistance > 100 k |
| Accuracy | 0.1% @ 25°C ± one digit |
| Analogue output | Passive Current: 4 -20mA Repeater |
| Communication interface | RS-485 |
| Operating temp. | -40°F - 122°F / (-40°C ÷ +50°C) |
| Storage temp. | -40°F - 158°F / (-40°C ÷ +70°C) |
| Protection class | NEMA 4X / IP 67 |
| Case | Wall Mounted / Material - Polycarbonate |
| Dimensions (WxHxD) | 9" X 5.5" X 3.8" / (230 x 140 x 96.5 mm) |

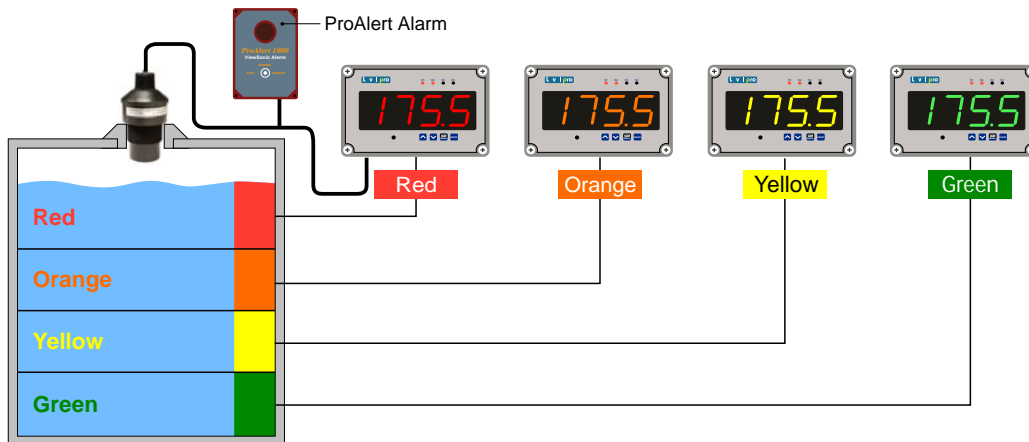
Programmable Multi-Color LED DISPLAY

1. Ultra Bright Display



2. Multi-Color Display

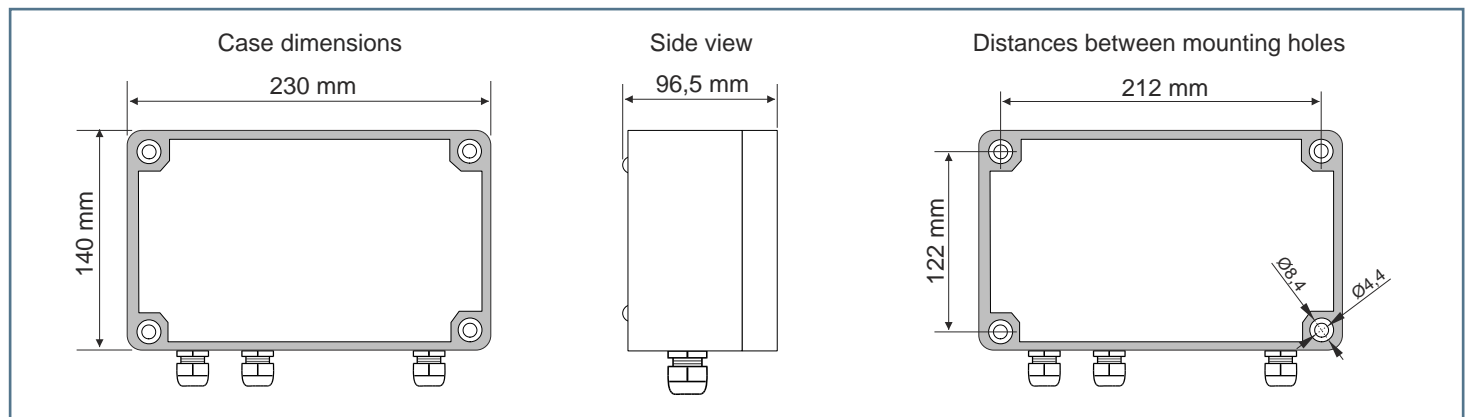
Device is also equipped with a display offering multicolor LED's. It allows any color settings in the range of red to green plus an additional 7 different colors. The display can be configured to change color based on process inputs i.e. flow meter application - green = flow, red = no flow. See example below of display configured for a level application.



No Need for Stack-lights

Example : Tank Level Application

DIMENSIONS



ORDERING

| Part Number | Input | Output |
|-------------|--------|------------------|
| TVU-1121 | 4-20mA | 2 Relay |
| TVU-1129 | 4-20mA | 4-20mA |
| TVU-1421 | 4-20mA | 4 Relay |
| TVU-1429 | 4-20mA | 4-20mA + 2 Relay |

* Consult Factory for Alternative Inputs