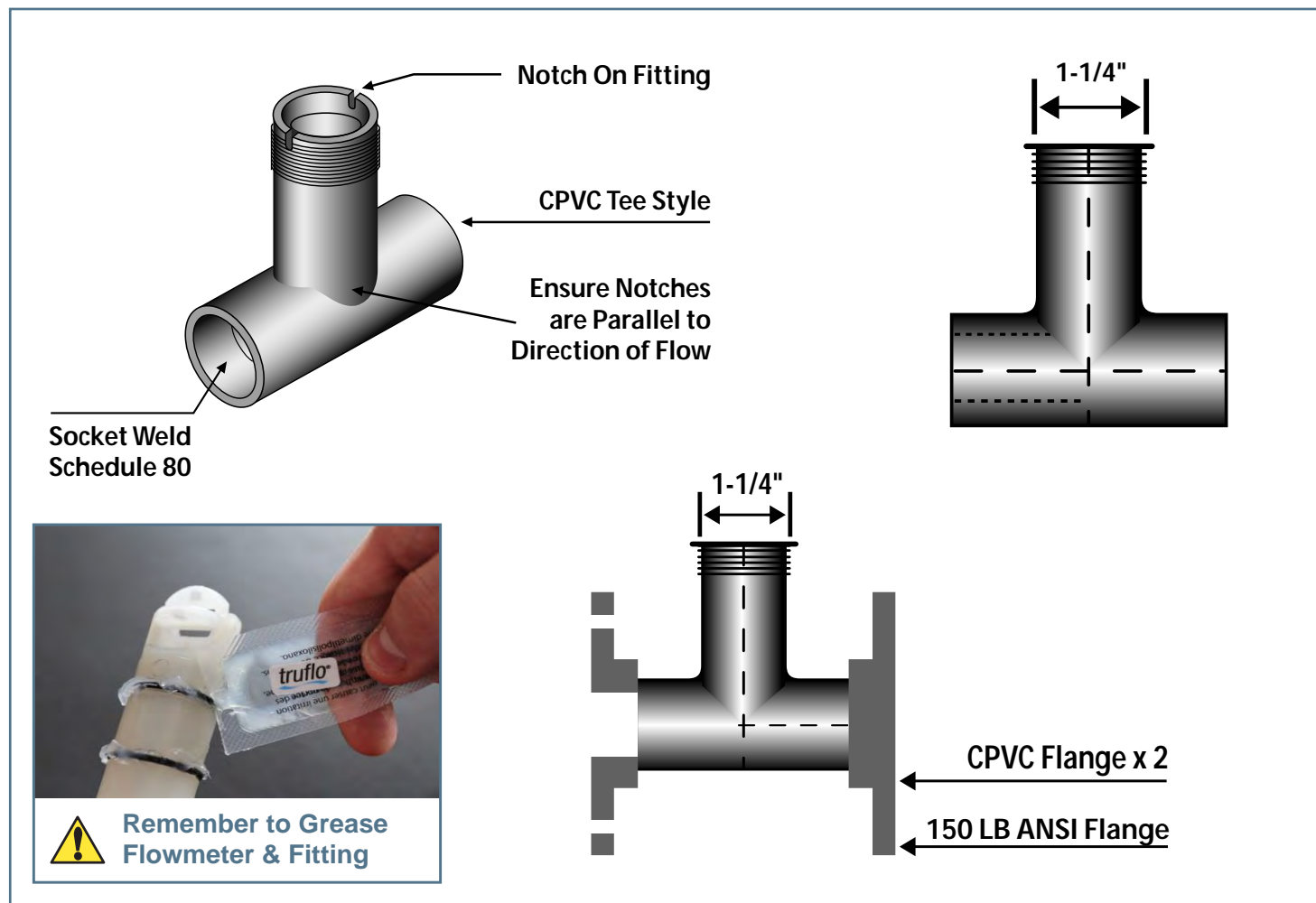


CPVC TEE FITTING (SCH80)



K-Factor - PULSE /LITER

Tee fitting (Unit:inch)			K-Factor	Sensor Length	Tee fitting (Unit:inch)			K-Factor	Sensor Length
Size	DN	Id	CPVC (SCH80)		Size	DN	Id	CPVC (SCH80)	
1/2"	15	0.55	213.40	T	2"	50	1.90	28.71	T
3/4"	20	0.74	113.24	T	2-1/2"	65	2.30	19.60	T
1"	25	0.96	88.08	T	3"	80	2.90	11.89	T
1-1/4"	32	1.30	49.63	T	4"	100	3.83	6.23	T
1-1/2"	40	1.50	41.27	T	6"	150	3.80	2.60	T1

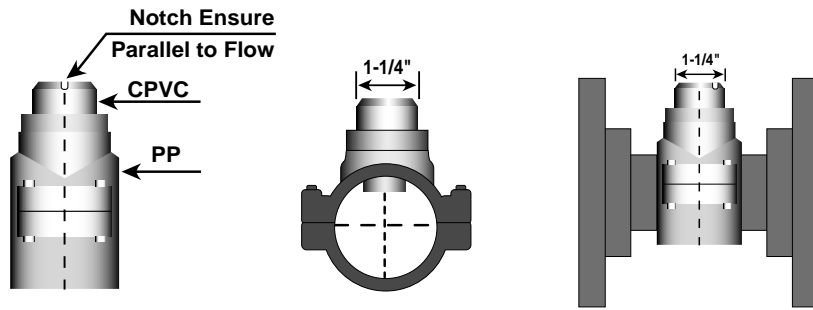
Note : CPVC = PVC (for ISO SDR21 pipes and ASTM SCH80 PVC, CPVC Plastic Pipe)

*DIVIDE K factor by 3.8 to change to Pulse/Gallon

(Max Fluid Velocity should NOT EXCEED 8 ft/sec)

K FACTOR TABLES

CPVC+PP CLAMP SADDLES (SCH80)

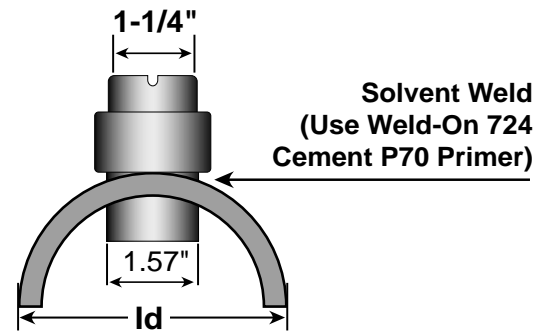
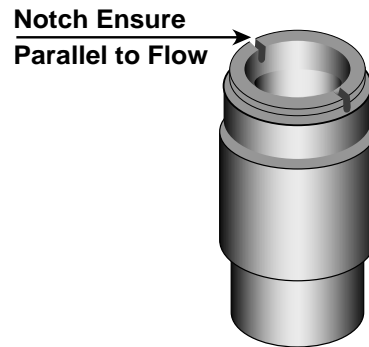


Clamp Saddles (Unit:In)			K-Factor (Pulse/Liter)	Sensor Length
Size	DN	Id	CPVC (SCH80)	
2"	50	1.9	29.00	T
2-1/2"	65	2.3	19.76	T
3"	80	2.9	12.00	T
4"	100	3.8	6.276	T
6"	150	5.7	2.596	T1

Note : CPVC=PVC (for ISO SDR21 Pipe and ASTM SCH80 PVC, CPVC Plastic Pipe)

*CHANGE TO PULSE/GPM DIVIDE K FACTOR BY 3.8

CPVC SOCKET WELD-ON ADAPTERS



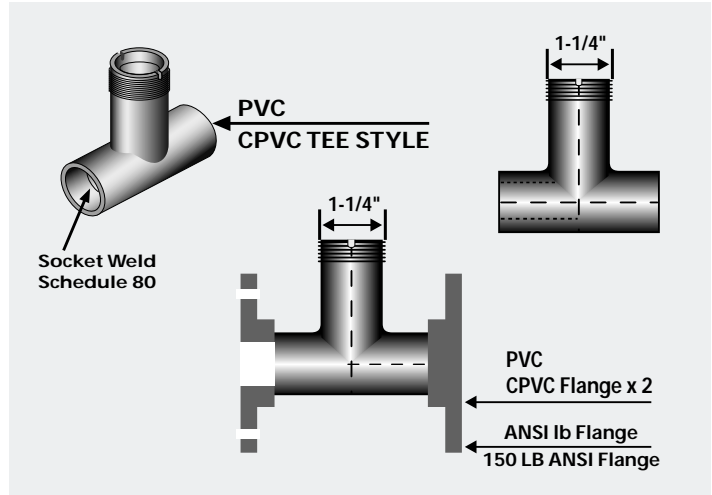
Glue-On Adapters(Unit:inch)			K-Factor (Pulse/GAL)	Sensor Length
Size	DN	Id	CPVC (SCH80)	
2"	50	1.9	29.00	T
2-1/2"	65	2.3	14.76	T
3"	80	2.9	12.00	T
4"	100	3.8	6.27	T
6"	150	5.7	2.60	T1
8"	200	7.0	1.42	T1

Glue-On Adapters(Unit:inch)			K-Factor (Pulse/GAL)	Sensor Length
Size	DN	Id	CPVC (SCH80)	
10"	250	9.5	0.90	T1
12"	300	11.3	0.64	T1
14"	350	12.4	0.53	T1
16"	400	15.1	0.40	T1
20"	500	19.0	0.77	T1
24"	600	21.0	0.18	T1

* DIVIDE K factor by 3.8 to change to Pulse/Gallon

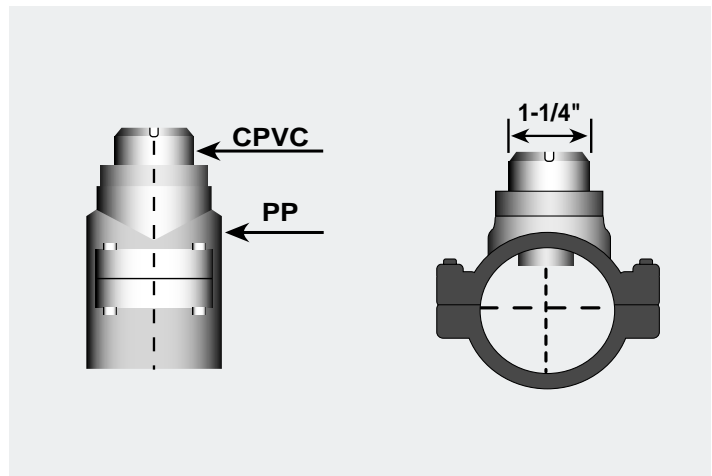
- GO WITH FLOW
- FITTING FOR LS & LSS SERIES PADDLE WHEEL FLOW METERS

**TEE FITTING (SCH 80)
MODEL CT -**



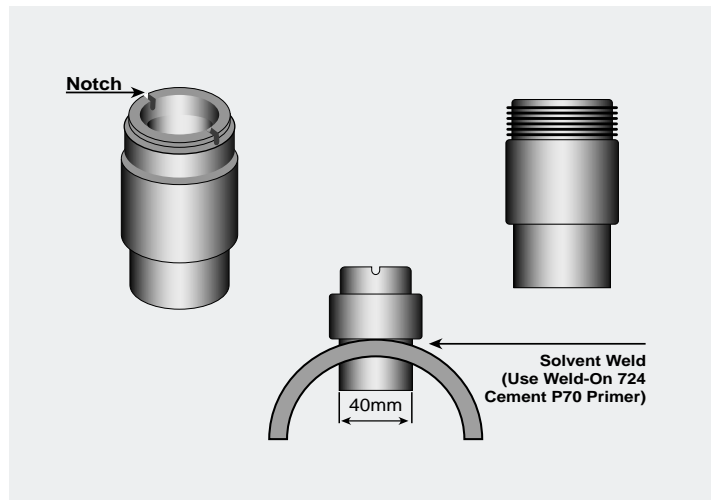
PVC / CPVC Tee fitting for ASTM SCH80 Pipes	40	4"	T
---	----	----	---

**CPVC + PP CLAMP SADDLES (SCH80)
MODE L : SA -**



- **Note 1** : SUS304 Bolt and Nut for PP Clamp Saddles
- **Note 2** : LCLS - A or C XX (Drilling hole = 40mm)

**CPVC GLUE-ON ADAPTERS
MODEL : PLGS -**



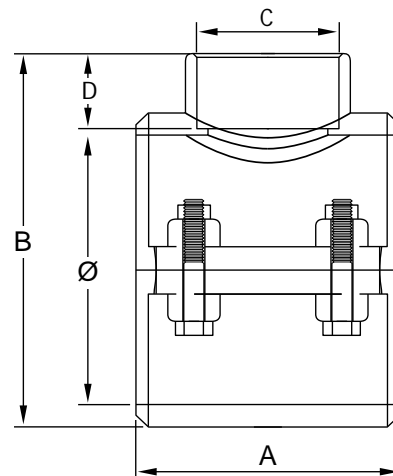
MODEL : PLGS -

NO	PIPE Size (DN)	Sensor Length
GT	0.5" - 4" (15-100)	T
T1	6" - 24" (150-600)	T1

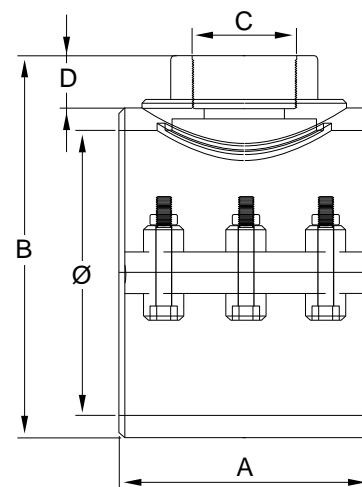
CPVC SOLVENT CEMENT - WELDON 724 + P70 Primer

LS & LSS SERIES SADDLES DIMMENSIONS

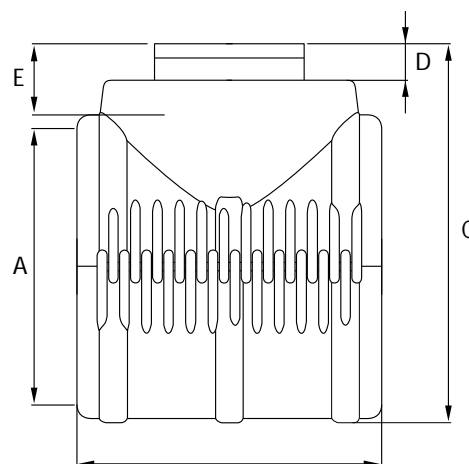
129		REINFORCED PP CLAMP SADDLE - 4 BOLTS SS316 & VITON			
STD Code	Ø Pipe - C	Weight (g)	A	B	D
03144	2" (50) - 1 ¼"	306	70	99	23
03077	3" (90) - 1 ¼"	380	87	129	23
03082	4" (110) - 1 ¼"	503	104	155	23



128		REINFORCED PP CLAMP SADDLE - 6 BOLTS SS316 & VITON			
STD Code	Ø Pipe - C	Weight (g)	A	B	D
03096	6" (160) - 1 ¼"	1142	136	210	23
03100	8" (200) - 1 ¼"	1982	173	244	23



137		PP HINGED SLEEVE - 3 BOLTS SS316						
WEIGHT (g)	STD Code	Ø Pipe	Ø Outlet	A	B	C	D	E
03144	05203	10" (225)	1 ¼"	225	225	283	9	26
03077	05066	12" (250)	1 ¼"	250	239	308	9	26
03082	05213	14" (315)	1 ¼"	315	250	370	9	26
03082	05484	16" (400)	1 ¼"	400	282	474	9	26



LSS & LS SERIES

PADDLE WHEEL FLOW METER



LSS

	Sensor body	Sensor Length	Alarm Output	Analog Output	RS-485 Output	Pulse Output	O-rings	Cable length
3	PP	0 2.70 in (T)	2 Two Relay	3 4-20mA	N None	N None	F FKM	8 8M Standard
6	PVDF	1 3.88 in (T1)	2 Two Relay	3 4-20mA	Y RS-485	N None	E EPDM	C Customes

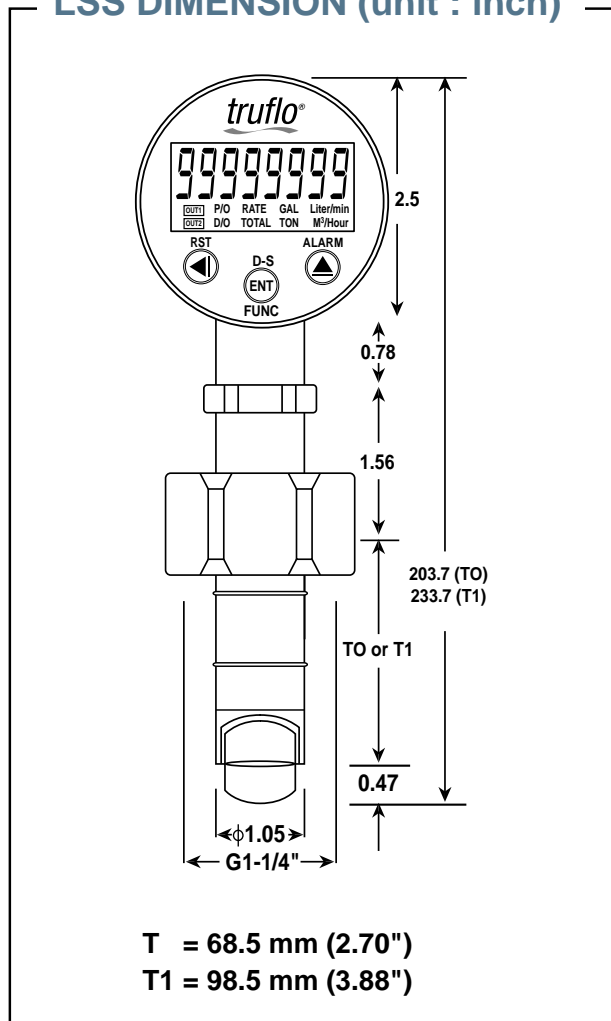
• T (Pipe size 0.5" to 4")
 • T1 (Pipe size 6" to 24")

• Relay Contact
 • (DC 30V-7A)

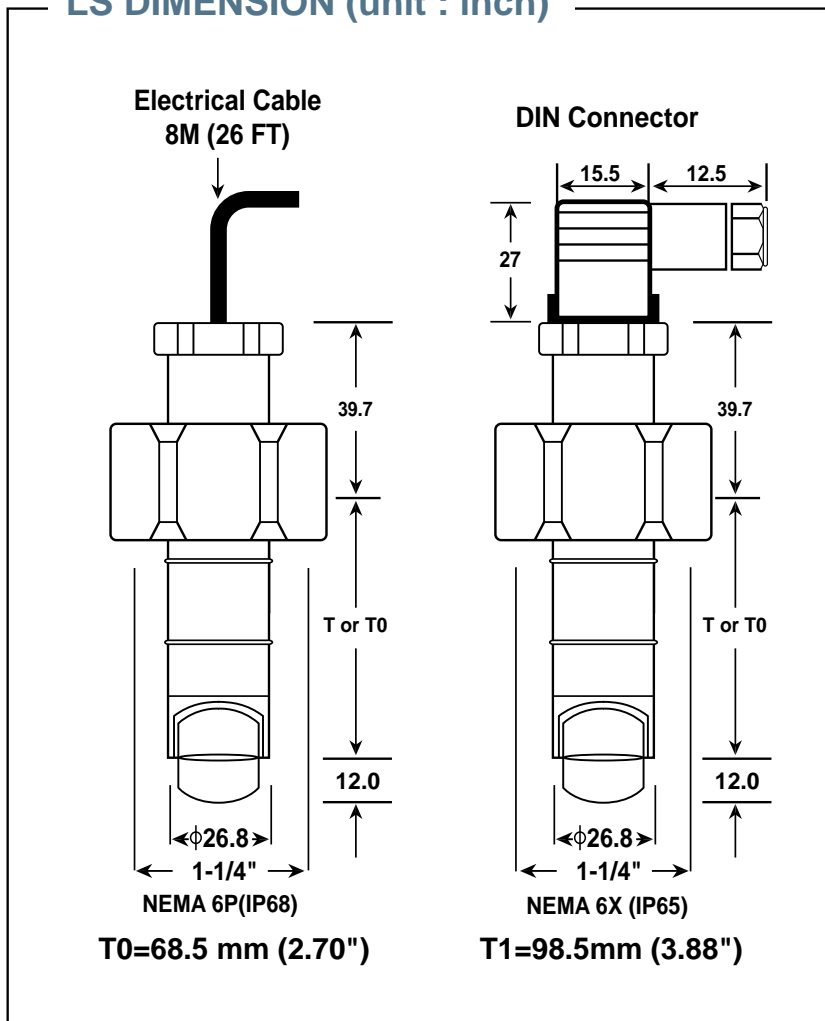
LS

	Sensor Body Material	Sensor Length-Pipe Diameter	Electrical Connection/Protection Class	O-rings
3	PP Body	0 (1/2"-4")	D DIN mini-connection 43650-A/IP65	F FKM(Viton)
5	PVDF	1 (6"-24)	E Electrical cable (customer) -IP68	E EPDM

LSS DIMENSION (unit : inch)



LS DIMENSION (unit : inch)



Warranty Information

All warranty and non-warranty repairs being returned must include a fully completed Service Form and goods must be returned to Truflo directly or to the distributor. Product returned without a Service Form will not be warranty replaced or repaired.

Truflo Sensors are warranted out of box but not against any damage, due to Process or Misapplication failures (e.g. High Temperature, Chemical Attack Due to Misapplication) or Physical mishandling of product.

Safety Information

1. Depressurize and vent system prior to installation or removal.
2. Confirm chemical compatibility before use.
3. DO NOT exceed maximum temperature or pressure specs.
4. ALWAYS wear safety goggles or faceshield during installation and/or service.
5. DO NOT alter product construction.



Warning / Caution / Danger

Indicates a potential hazard. Failure to follow all warnings may lead to equipment damage, injury, or death



Hand Tighten Only

Overtightening may permanently damage product threads and lead to failure of the retaining nut.



Note / Technical Notes

Highlights additional information or detailed procedure.



Do Not Use Tools

Use of tool(s) may damage product beyond repair and potentially void product warranty.

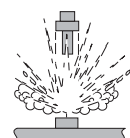


WARNING!



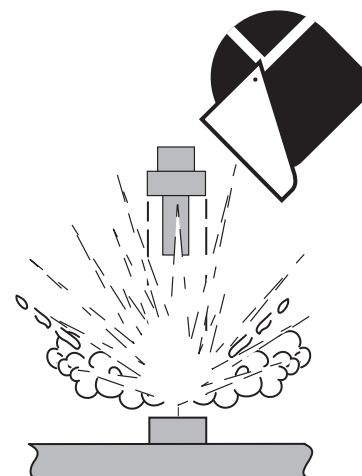
Personal Protective Equipment (PPE)

Always utilize the most appropriate PPE during installation and service of Signet products.



Pressurized System Warning

Sensor may be under pressure, take caution to vent system prior to installation or removal. Failure to do so may result in equipment damage and/or serious injury.



(Max Fluid Velocity should NOT EXCEED 8 ft/sec)

DC Power Only