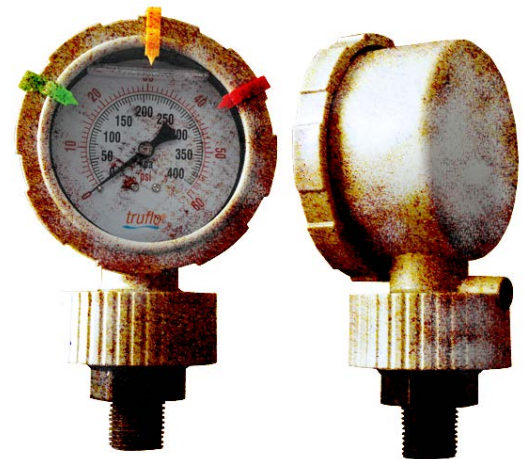


- Excellent Corrosion Resistance
- No Assembly Required
- No Filling Required



SERIES : BAG
CONNECTION : ½" (M) | (F) NPT | G | Flange
DIAPHRAGM : PTFE Teflon® | FPM



Excellent Chemical Resistance

FEATURES

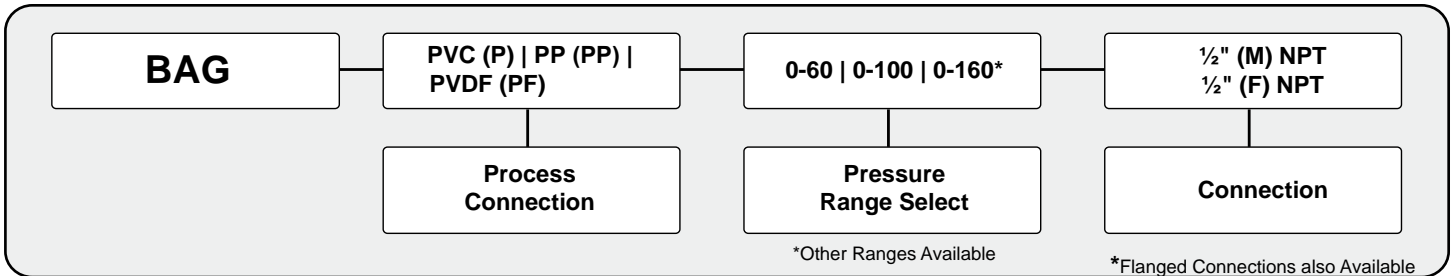
- All Plastic (Gauge & Isolator)
- Heavy Duty Design | Simple to Install
- Completely Corrosion Resistant
- Designed to Act as Visual Pressure Alert
- Extra Large Color Display
- Reduces Pressure Surges / Metering Pump Pulsations
- Highest Accuracy in Industry > ±1.5%
- Glycerin Filled or Silicone (Opt)
- One-Piece Molded Design
- Suitable for Corrosive Media + Slurries

SPECIFICATIONS

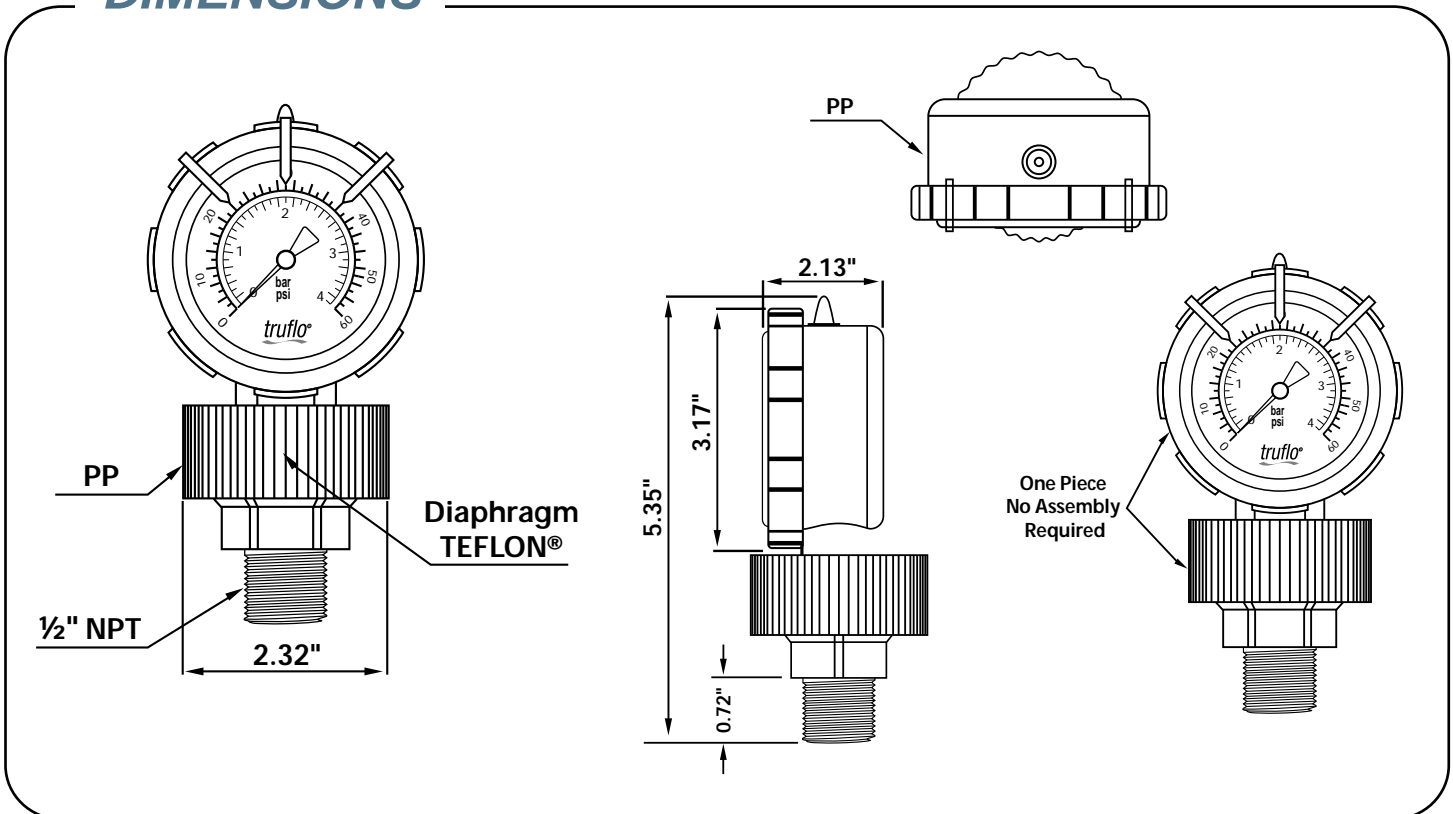
Dial Diameter	Large 3" Face Big Numbers Clear Markers
Mounting	Direct Mount Bottom Connection / ½"
Housing	Polypropylene PTFE Teflon® Diaphragm One Piece Molded Design No Assembly or Filling Required
Lens	High Impact Polycarbonate
Dial	Red & Black Scale White Background, dial arc 270°
Measuring Principle	Bourdon Tube Teflon® Diaphragm
Movement	SS316 Brass (Non Wetted)
Gauge	Dual Scale
Connection	½" (F) (M) NPT G Type Flange
Filling	Glycerin or Silicone (Opt)
Accuracy	±1.5%
Operating temperature	PVC - 140°F PP - 170°F PVDF - 195°F
Pressure Range*	Standard Ranges 0-60 0-100 0-160 psi (Second Scale: kPA) Other units available / bar / MPa / Other Scales Available - Consult Factory

* (Non-Shock)

HOW TO ORDER



DIMENSIONS



INSTALLATION

Do not tighten by grasping the case of the gauge as this may cause damage. Always Pressure Test for Leaks

1. Before installing the BAG Series pressure gauge, ensure attention is given to the Process Liquid, Chemical Compatibility, Temperature, Vibration, Pressure Spikes and other climatic and application conditions that may adversely affect the performance.
2. The user shall ensure that the correct gauge pressure range and the correct materials of construction are selected.

