

The Truflo BRP Series Back Pressure/Relief Valve has two functions. As a back pressure valve installed in-line downstream of a pump. In this position the back pressure below the metering pump is maintained. When the PRB valve is installed in the branch of a tee fitting it functions as a pressure relief valve. The valve remains closed until inlet pressure reaches the preset pressure which is adjusted by turning the spring tensioning bolt. The pressure at the inlet of the valve acts upward against the piston allowing the liquid under higher pressure to flow upwards through the orifice.

PVC

CPVC

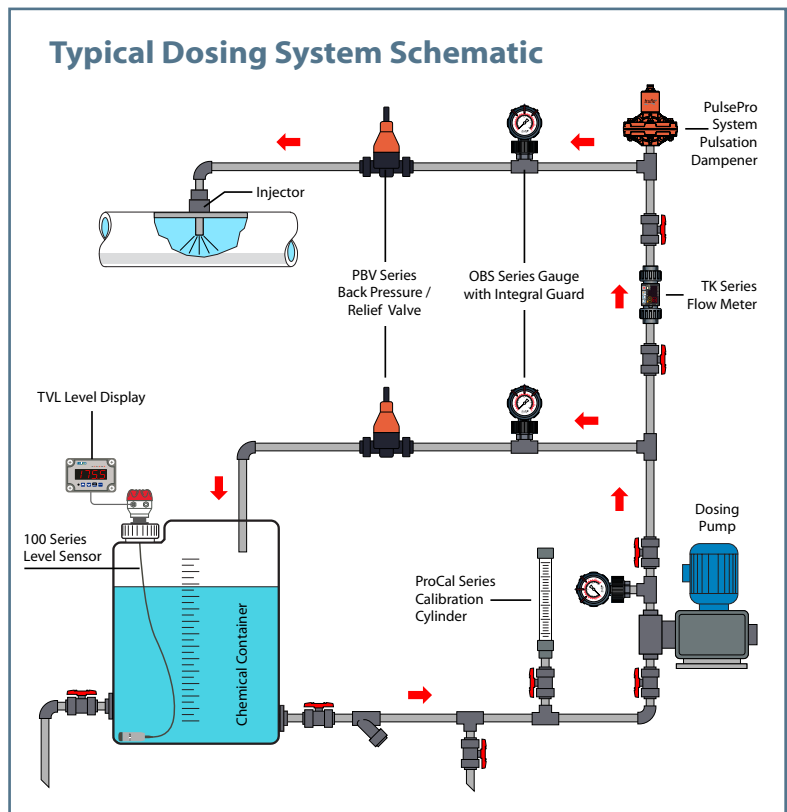
PP

PVDF

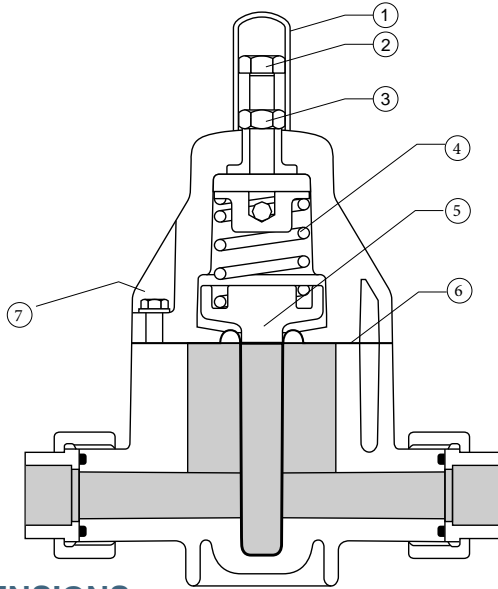
SERIES : BRP
CONNECTION : ½" - 2"
ENDS : True Union Socket | Threaded | Flanged ends
DIAPHRAGM : PTFE Teflon® Bonded EPDM
SEALS : EPDM | FKM (Viton®)

FEATURES

- Heavy Duty Design
- Flexible Long Lasting Diaphragm Design
- True-Union End Connections
- High Flow Values
- Excellent Chemical Resistance
- Field Adjustable Setting 5 -150 psi
- PTFE Teflon Bonded EPDM Diaphragm
- PVC | PP | PVDF Body Materials
- Corrosion Resistant GFPP Upper-Works
- Lightweight - Perfect for Plastic Piping Systems
- Unaffected by Downstream Pressure



TECHNICAL	
Set Pressure Ranges- Pressure Relief	½" to 2" - 5 to 150 PSI
Set Pressure Ranges- Back Pressure	½" to 2" - 5 to 150 PSI
Maximum Viscosity	120 cP
Hysteresis	4 psi

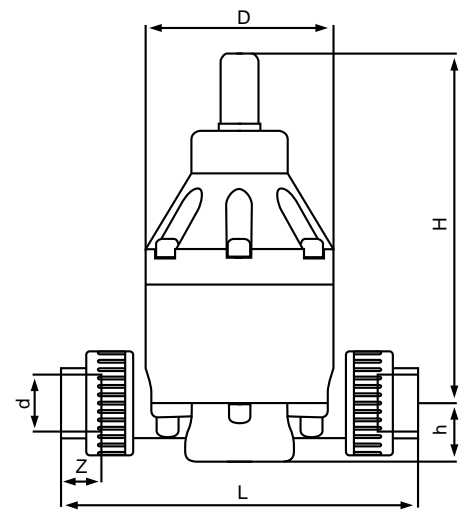


PARTS

No.	Part	Pcs.	Materials
1	Body	1	PVC CPVC PP PVDF
2	Bonnet	1	PPG
3	Adjustment Screw	1	Galvanized Steel
4	Coil Spring	1	Galvanized Steel
5	Piston Plunger	1	PPG
6	Control Diaphragm	1	PTFE bonded EPDM
7	Bonnet Bolts	1	304 SS

DIMENSIONS

Model	Size	L	H	D	d	z	h
BRP005	½"	175	181	82	20	22	27
BRP075	¾"	174	181	82	25	19	29
BRP100	1"	202	198	107	32	21	33
BRP125	1 ¼"	251	198	107	40	31	35
BRP150	1 ½"	285	260	155	50	31	60
BRP200	2"	355	260	155	63	39	60



MAXIMUM PRESSURES PSI

Size	PVC				PP						PVDF					
	20°C 68°F	30°C 86°F	40°C 104°F	50°C 122°F	20°C 68°F	30°C 86°F	40°C 104°F	50°C 122°F	60°C 140°F	70°C 158°F	30°C 86°F	50°C 122°F	70°C 158°F	80°C 176°F	90°C 194°F	100°C 212°F
½" - 2"	150	90	44	15	150	116	90	60	37.5	15	150	90	55	40	30	15

*Note CPVC Pressure/Temp same as PP

CV Values

½" (3.9)	¾" (6.6)	1" (9.4)	1¼" (18.4)	1½" (20.2)	2" (28)
----------	----------	----------	------------	------------	---------

ORDERING EXAMPLE

Back Pressure / Relief Valves	BRP			A	005	V	U
Body Material	A – PVC C – CPVC P – PP		F – PVDF				
Size	005 – ½" 010 – 1" 020 – 2"		012 – 1-¼"		007 – ¾" 015 – 1-½"		
Elastomers	E – EPDM		V – FPM (Viton®)				
Ends	S – Socket	T – Threaded	F – Flanged B – Spigot (Butt)	F – Flanged B – Spigot (Butt)	U – Union Socket		