

The Truflo BRP3 Series Back Pressure / Relief Valve has dual functions. It functions as pressure relief valve when it is installed off the branch of a tee fitting located after the pump. It will function as a back pressure valve maintaining pressure when installed in-line down stream of the pump. The valve is normally in a closed position however the opening pressure can be easily adjusted in the field by simply turning the spring tensioning bolt, making fine adjustments in the field is simple and quick.

316 SS

**SERIES :** BRP3

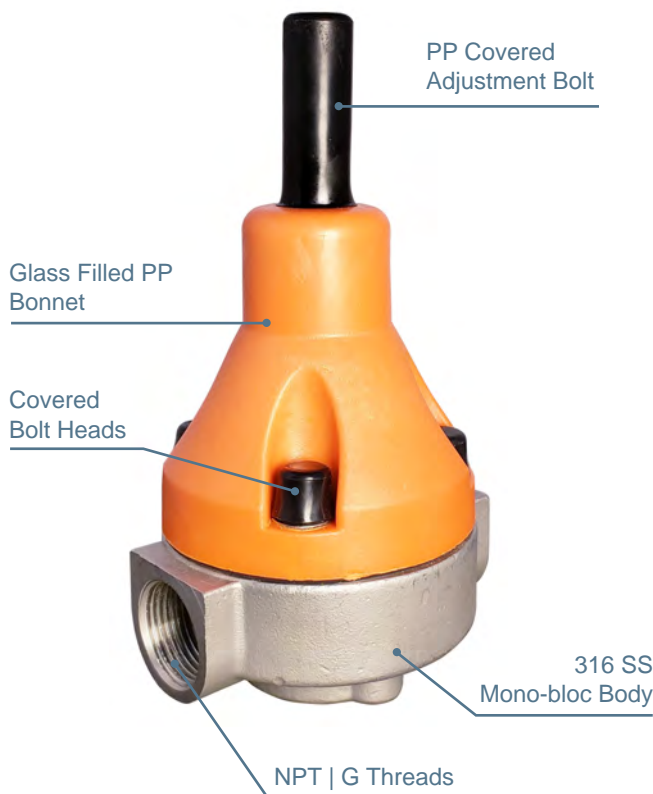
**CONNECTION :** ½" - 2"

**ENDS :** NPT | G Threaded

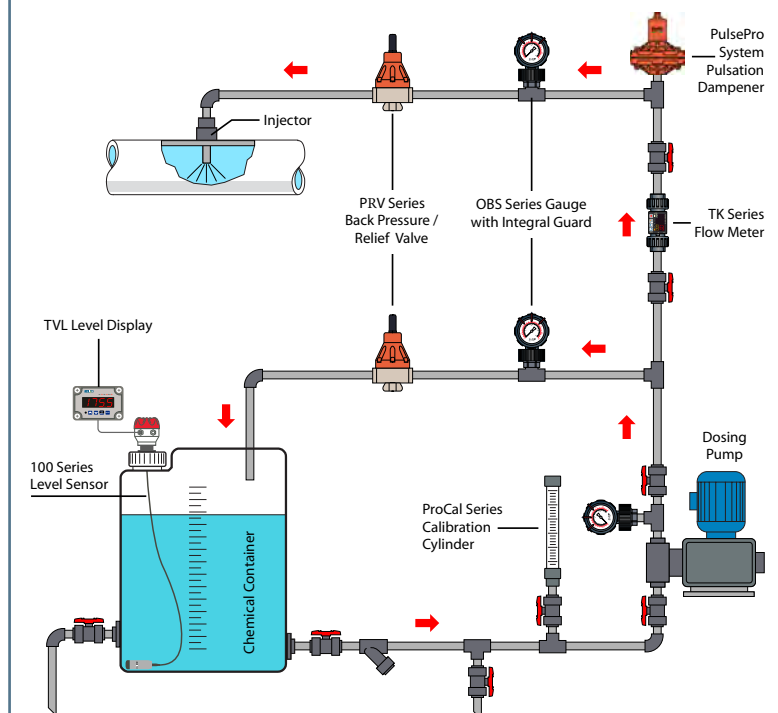
**DIAPHRAGM :** PTFE Bonded EPDM

### FEATURES

- Easy installation and maintenance
- Heavy Duty One-Piece Mono-Bloc Body
- Simple Design - Reliable - Dual Function
- GFPP Corrosion Resistant Bonnet
- PTFE Teflon® bonded EPDM Diaphragm
- Superior Chemical Resistance
- Prevents Anti-Siphoning
- Pressure Setting Range 5-150 psi
- Fast Acting with minimal hysteresis
- Excellent Repeatability
- Unaffected by Down Stream Pressure

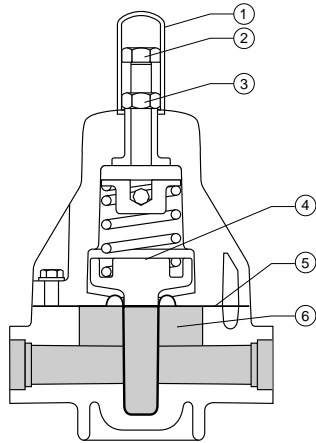


### Typical Dosing System Schematic



### TECHNICAL

Set Pressure Ranges- Pressure Relief	½" to 2" - 5 to 150 PSI
Set Pressure Ranges- Back Pressure	½" to 2" - 5 to 150 PSI
Maximum Viscosity	120 cP
Hysteresis	4 psi

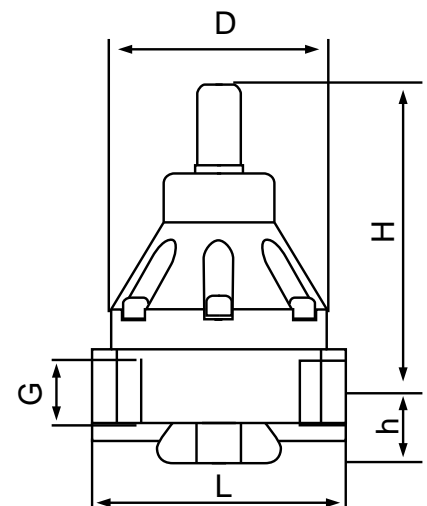


### PARTS

No.	Part	Pcs.	Materials
1	Body	1	316 SS
2	Bonnet	1	PPG
3	Spring	1	Galvanized Steel
4	Control Diaphragm	1	PTFE bonded EPDM
5	Piston	1	PVC, PP, PVDF
6	Lower Spring Retainer	1	PPG

### DIMENSIONS

Model	Size	L	D	H	h	G
BRP3005	½"	94	82	140	23	½"
BRP3075	¾"	95	82	140	23	¾"
BRP3100	1.0"	121	107	160	26	1"
BRP3125	1-¼"	121	107	160	26	1-¼"
BRP3150	1-½"	181	155	207	31	1-½"
BRP3200	2"	181	155	207	31	2"



### CV Values

½" (3.9)	¾" (7.4)	1" (8.9)	1¼" (17.1)	1½" (18.8)	2" (21.6)
----------	----------	----------	------------	------------	-----------

### MAXIMUM PRESSURES PSI

Size	316 SS					
	30°C 86°F	50°C 122°F	70°C 158°F	80°C 176°F	90°C 194°F	100°C 212°F
½" - 2"	150	150	150	90	30	15

### ORDERING EXAMPLE

<b>Back Pressure / Relief Valves</b>		<b>BRP3</b>	<b>005</b>	<b>T</b>
Body Material	A – 316 SS		Diaphragm – PTFE Teflon® Bonded to EPDM	
Size	<b>005</b> – ½"	<b>012</b> – 1-¼"		
	<b>007</b> – ¾"	<b>015</b> – 1-½"		
	<b>010</b> – 1"	<b>020</b> – 2"		
Ends	T – Threaded		G – G Type Thread	