

OBS-GO4 SERIES

4 1/2" Plastic / 316 SS Pressure Gauge



- Extra Large Display-Red Pointer
- Suitable for Corrosive Environments
- High Impact Casing

PF

316 SS



SERIES : OBS-GO4

CONNECTION : 316 SS 1/4" NPT / G



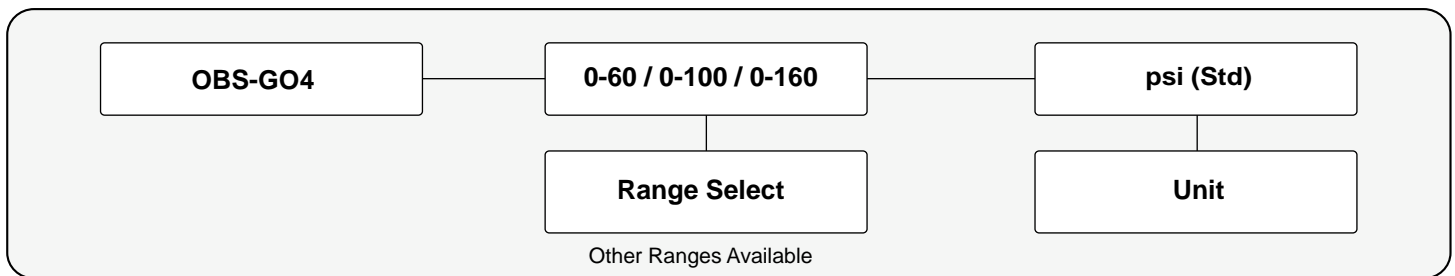
FEATURES

- Heavy Duty Design
- Suitable for Corrosive Environments
- Red Pointer / Black Numbers
- Excellent Chemical Resistance
- 3 Standard Ranges | 60 | 100 | 160
- Extra Large Color Display
- High Accuracy / $\pm 0.5\%$
- Dry or Pre-Filled
- High Impact Polycarbonate Faceplate
- Easy to Read
- Simple to Install
- Perfect Mate for GI Series Isolators

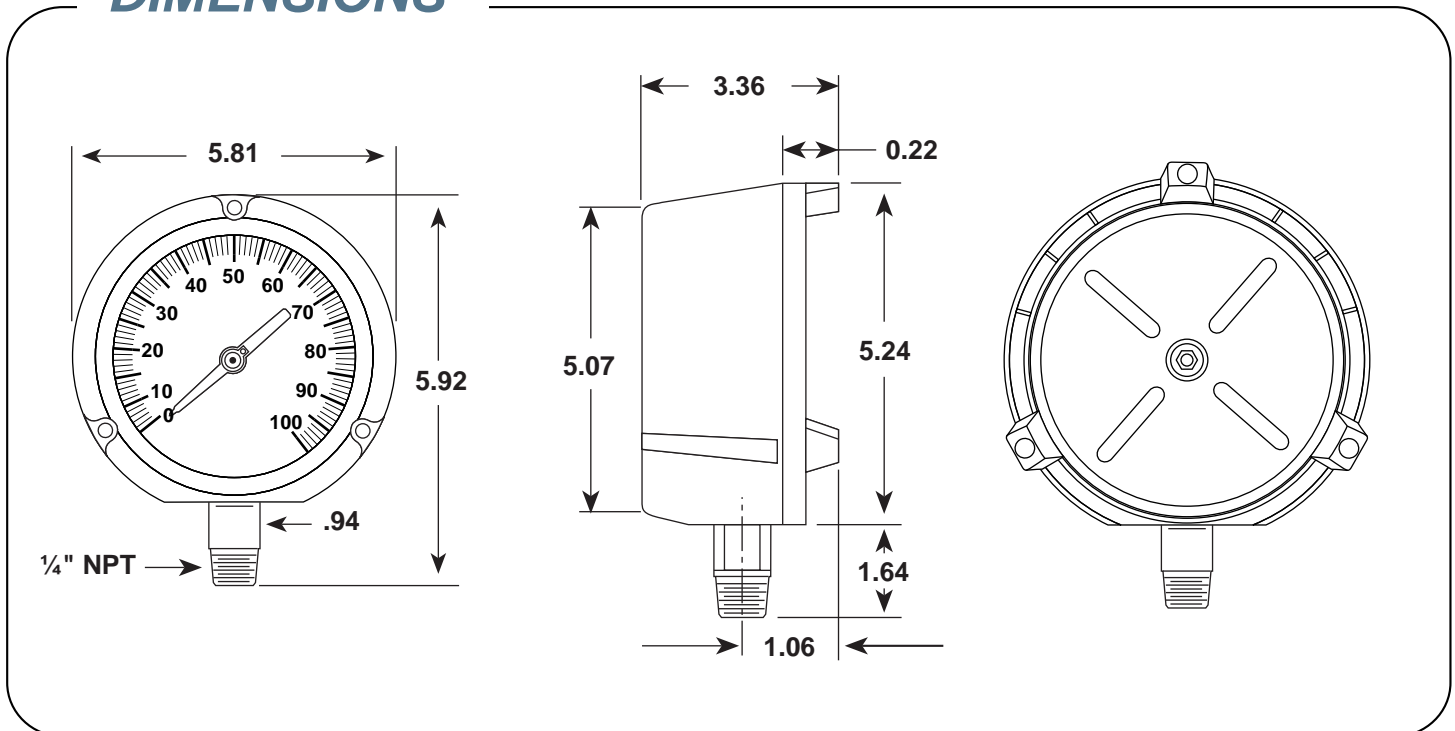
SPECIFICATIONS

Dial Diameter	Large 4 1/2" Face / Big Numbers / Clear Markers
Mounting	Direct Mount / Bottom Connection MNPT / 1/4"
Housing	Phenolic
Lens	High Impact Polycarbonate
Dial	Yellow Face with Black Numbers
Measuring Principle	Bourdon Tube 316 SS
Movement	316 SS
Gauge Mounting	Three (3) Mounting Holes
Connection	1/4" (M) NPT G Type 316 SST
Filling	Dry (Std) Glycerin Silicone (Opt)
Accuracy	$\pm 0.5\%$
Operating temperature	Max. Working Temp / PP - 180°F
Pressure Range	Standard Ranges 0-60 0-100 0-160 psi (Pressures up to 1500 psi) Other units available / bar / MPa

HOW TO ORDER



DIMENSIONS



Installation

Do not tighten by grasping the case of the gauge as this may cause damage.

1. Before installing the OBS Series pressure gauge, ensure attention is given to the Process Liquid, Chemical Compatibility, Temperature, Vibration, Pressure Spikes, and other climatic and application conditions that may adversely affect the performance..
2. The user shall ensure that the correct gauge pressure range and the correct materials of construction are selected.

