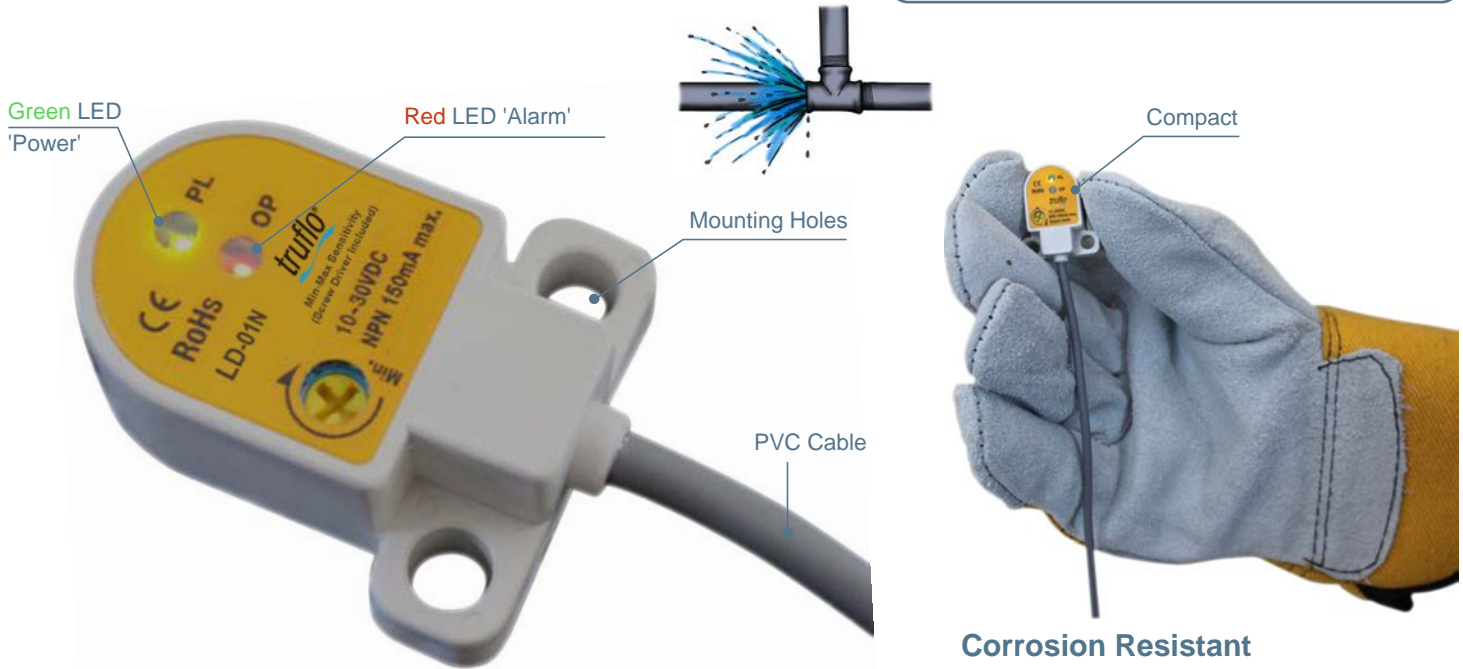


- Floor Design
- Capacitive Fail-Safe Operation
- Perfect for Aggressive and Electrically Conductive Corrosive Chemicals

PVC

PP

SERIES : LD



TECHNICAL FEATURES

SPECIFICATION	DESCRIPTION
Power Consumption	Approx 3W
Ambient Temperature	-20 - 60°C / -20 - 140°F
Outputs	<ul style="list-style-type: none"> • Switch : NPN / PNP maximum 150mA • Switch [+AO / -AO]

APPLICATIONS

- ▶ Containment Dikes
- ▶ Double Wall Tanks
- ▶ Leakage Basins / Containers
- ▶ Computer Rooms
- ▶ Leaking Pumps

CODE NUMBERS AND REFERENCES

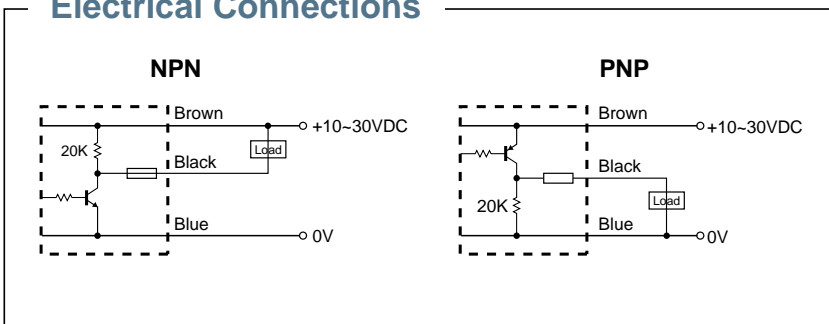
Code	Description
LD-01N	Compact Leak Detector with 2m of Cable

PRINCIPLE

The LD Series is designed to detect conductive liquids providing a SSR relay Pulse Alarm.

- ▶ NPN or PNP Pulse Relay Output

Electrical Connections



Dimensions

