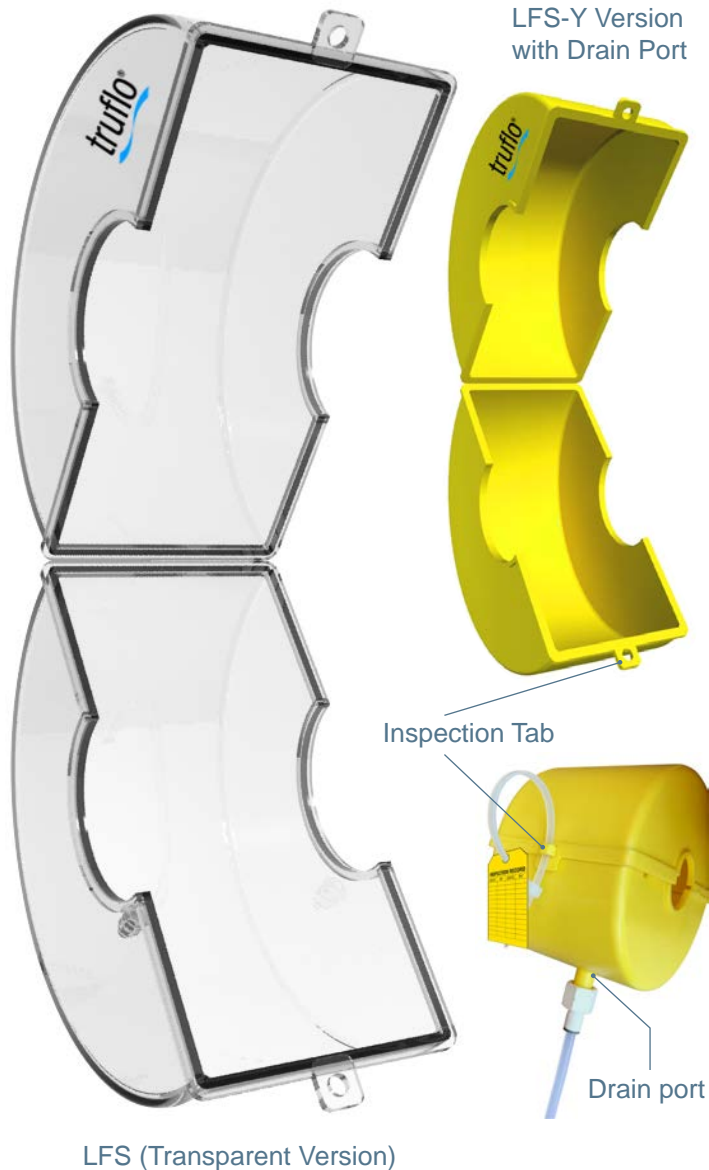


'LEAK FREAK' SAFETY FLANGE SHIELDS

Hazardous Liquid Spray / Leak Protection

The LFS Series Safety Clam-Shields are made from Solid Polypropylene providing Excellent Chemical Resistance



FEATURES

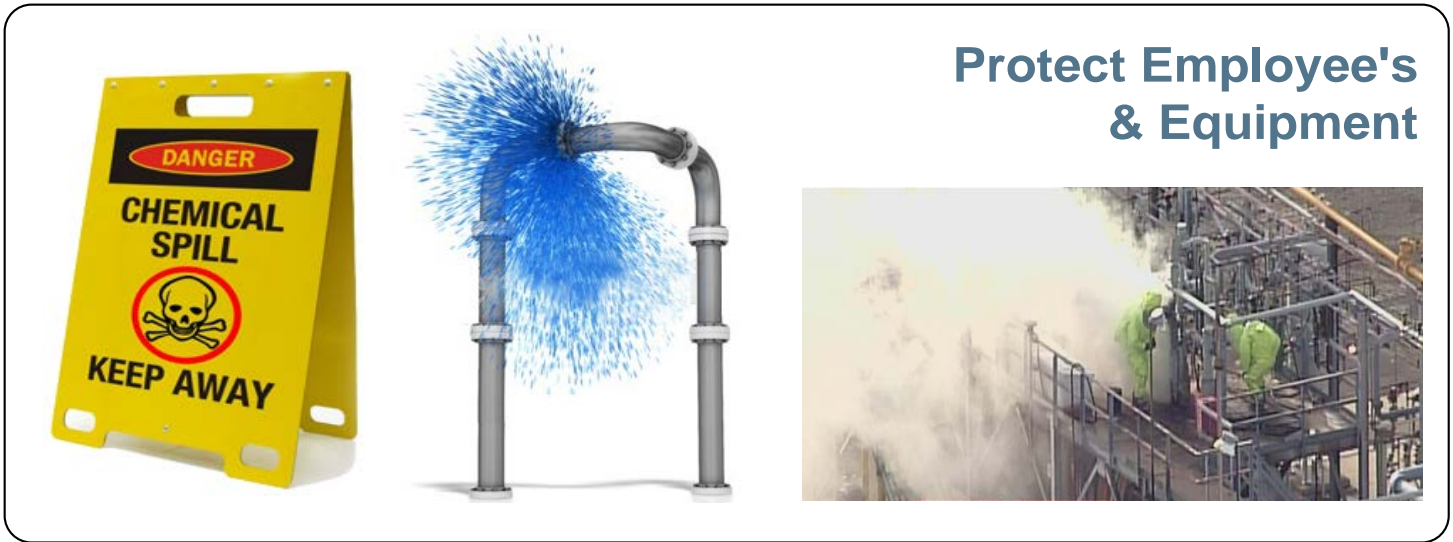
- PP Solid 2-Piece
- Completely Corrosion Resistant
- Lightweight / Perfect for Plastic Piping Systems
Readily Reusable
- Plug & Play / No Tools Required
- No Down Time
- Transparent or Yellow Color
- Resists Chemical Attack
- Quick installation / Under 2 min
- 360 Directional Discharge Port -
(LFS-Y - Series ½ - 3")

They are designed to 'Fit and Forget' quick and easy to assemble and install, just join the two halves of clamshell around the flange and snap in place.

The LFS series are reusable, do not tear or rip, do not require lacing, and provide your piping system with a safe and secure, means of preventing harmful 'Spray-Outs' without any down time.

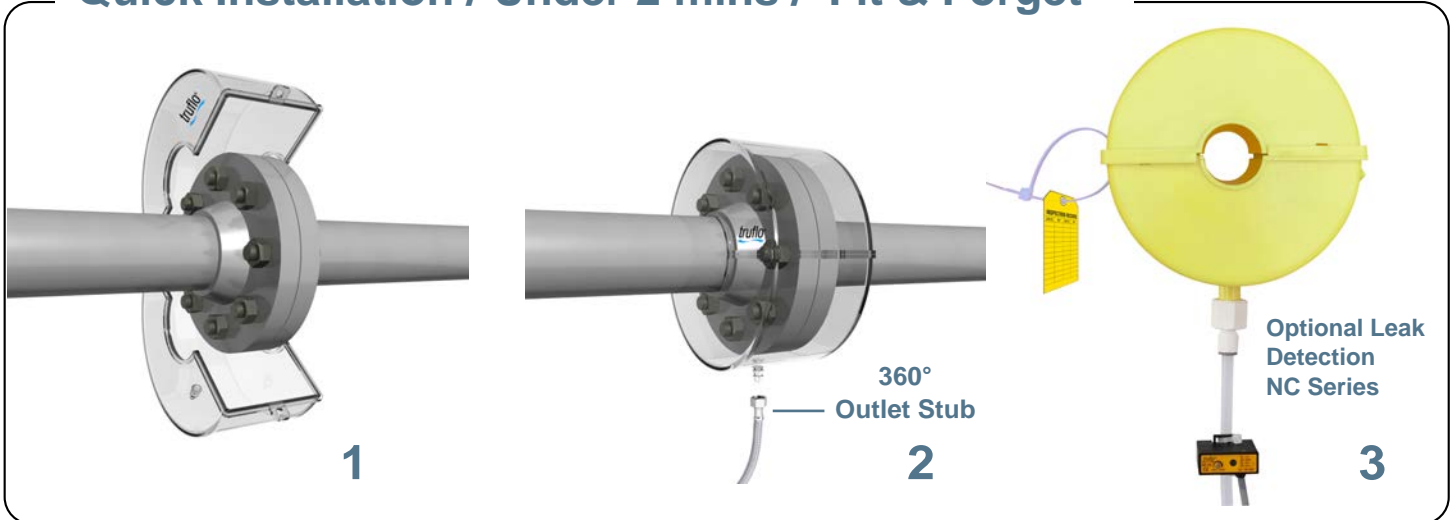
The LFS-Y version ½ - 3" comes equipped with a 360 degree Outlet Stub that can be used to contain and or direct the leaking liquid safely to a catch basin or waste sump.





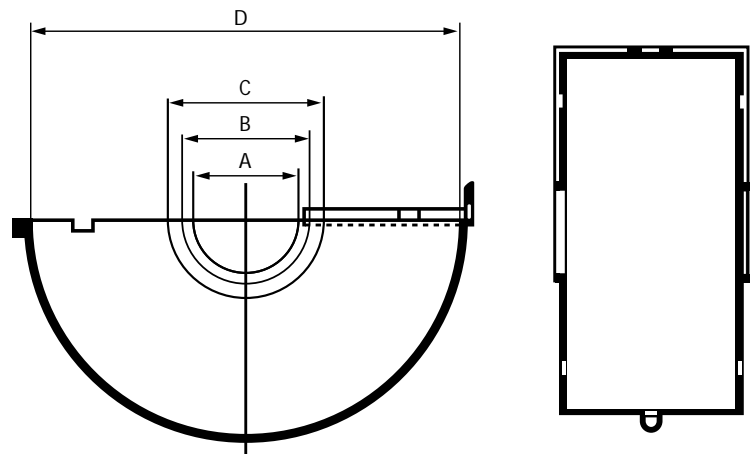
Protect Employee's & Equipment

Quick Installation / Under 2 mins / 'Fit & Forget'



Ordering-Dimensions

Part Number	D	E	Ø nomin. Pipe	Ø Flange Diameter (mm)
LF005	120	83	½"	21.25
LF075	120	83	¾"	26.75
LF010	120	83	1"	33.50
LF015	175	85	1 ¼"	42.25
LF150	175	85	1 ½"	48.25
LF020	175	85	2"	60.0
LF025	205	106	2 ½"	75.0
LF030	205	106	3"	90.0
LFS040	227	110	4"	100
LFS060	284	120	6"	150



Add Suffix Y at end of Part Number for Yellow - Drain Port Version ½"- 3" Only