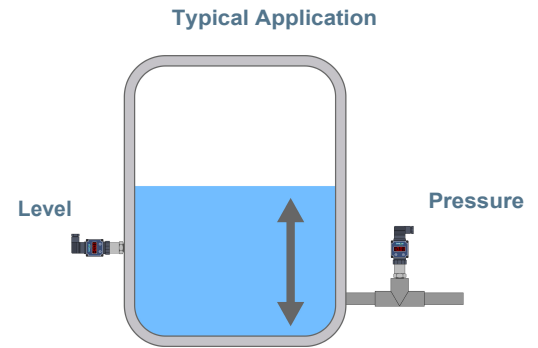
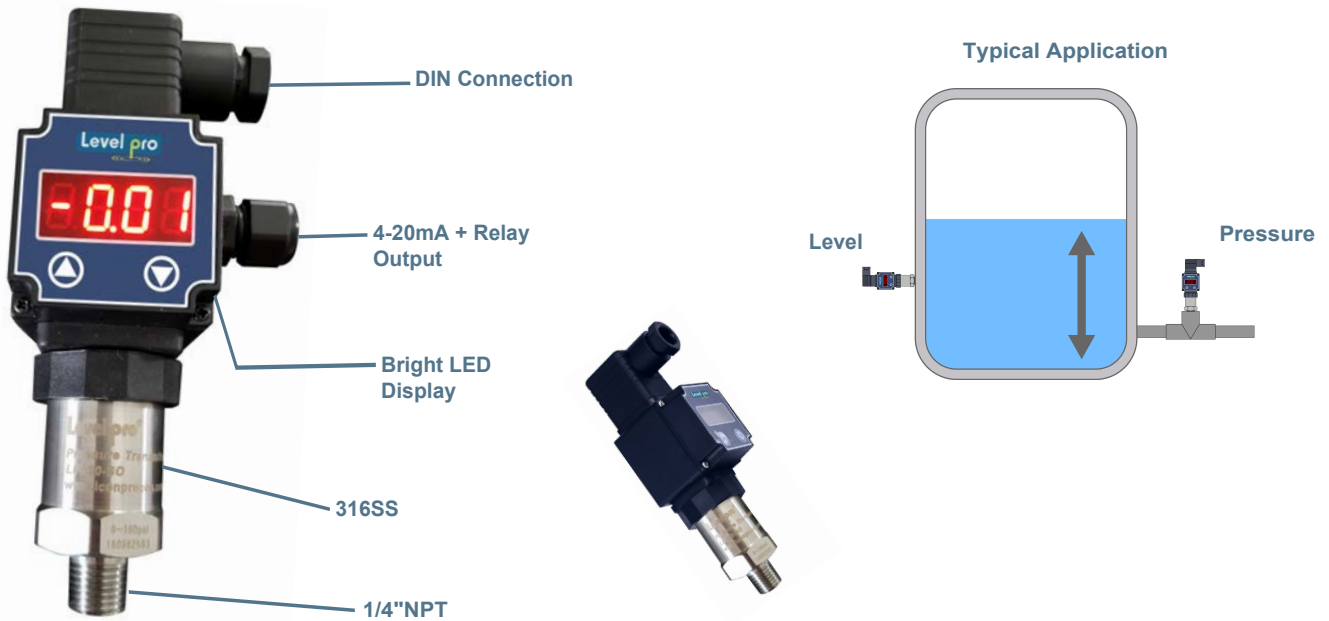


The **Levelpro LP250DM** was designed to measure Pressure or Level within industry's most demanding corrosive process applications. When measuring pressure It can be mounted vertically or horizontally, and can easily be installed into a threaded process pipe tee fitting. For level measurement applications the **LP250DM** can simply be mounted into the side of the tank utilizing a NPT / G type bulkhead or weld-o-let fitting.

The **LP250DM** implements a state of the art ceramic piezio-resistive diaphragm that measures the change of the resistance across what is known a wheatstone bridge. This resistive change is proportional to the external physical pressure being exerted on the face of the diaphragm. This change is then converted into a linear electronic output signal.



Typical Applications

- Chemicals | Acids | Bases
- Tank Level
- Industrial Process Piping
- Vapor Pressure
- Leak Detection Equipment
- Environmental Protection Scrubbers
- Filter | Strainer Notification
- Leachate Collection
- Weir Flow
- Scrubbers

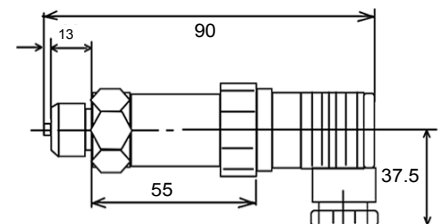
Features

- 316 SST Body
- Pressure Range: 0-150psi
- Output: 4-20mA | 2 Wire Loop Powered
- NPT | G Connection
- Ceramic Sensing Diaphragm
- Plug & Play Design
- High Accuracy
- No Programming Required
- Temperature Compensated
- Excellent Chemical Resistance

SPECIFICATIONS

Range	0 - 150 psi (Other Ranges Available)
Media	Gas & Liquid
Accuracy	0.5% F.S
Power Supply	18 - 36V DC
Output Signal	4-20mA Two-Wire Loop Powered
Medium Temp	-30 - 85°C
Environment Temp	-30 - 80°C
Storage Temperature	-30 - 80°C
Temp. Effect	±0.02% FS
Pressure Connection	1/4" NPT
Electrical Connection	DIN Hirschminn Connector

Dimensions (MM)

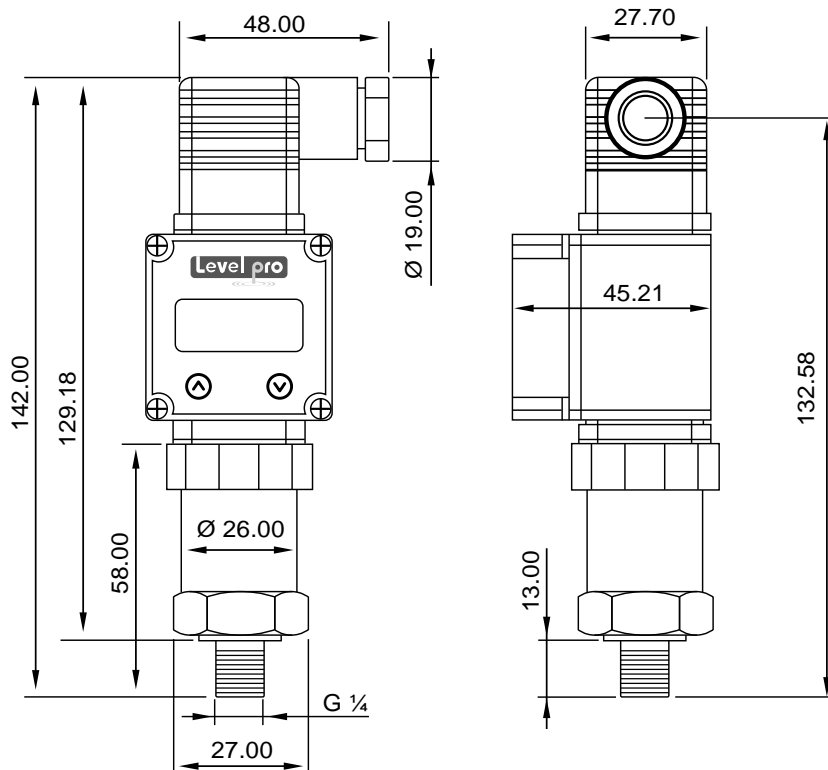




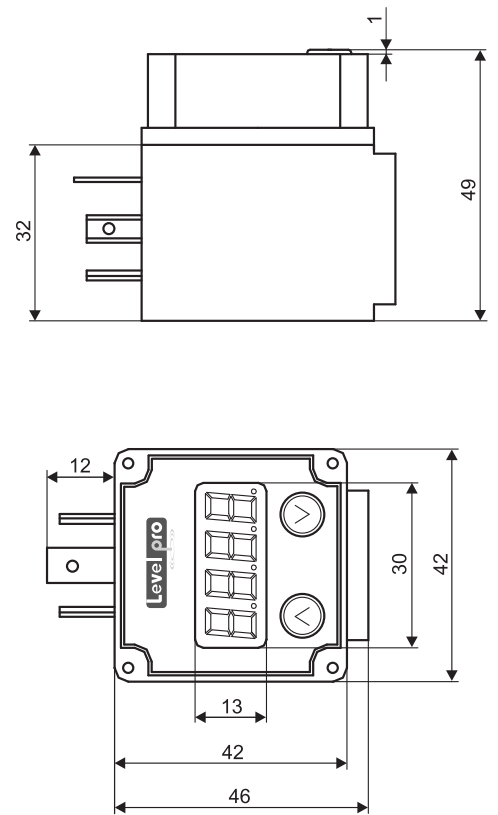
Features

- Local Display of Measured Value
- Direct Mounting
- 4-digit Bright LED
- Easy 2 Button Programming
- Relay Output
- Powered from Current Loop | 4-20mA

Dimensional Drawing

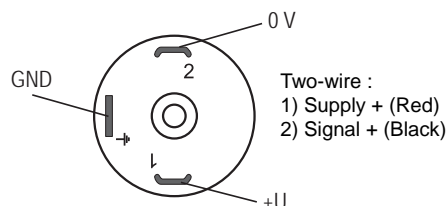


Dimensional Drawing



Electrical Connection

Positive pole (+ U) is connected to pin No.1, negative pole (0V) is connected to pin No. 2. The plug-on display is powered by the current 4-20mA loop, no additional auxiliary power is required.



ORDERING

Size	Part Number	Material
1/4" NPT	LP250M No Display	316SS
1/4" NPT	LP250DM Display	316SS