

LSS SERIES

PADDLE WHEEL FLOW METER



- Up to 24" Pipe Size
- Zirconium Ceramic Rotor / Bearings
- Accuracy $\pm 0.75\%$ of Full Scale
- Retrofits Into Signet® Type Fittings

PP

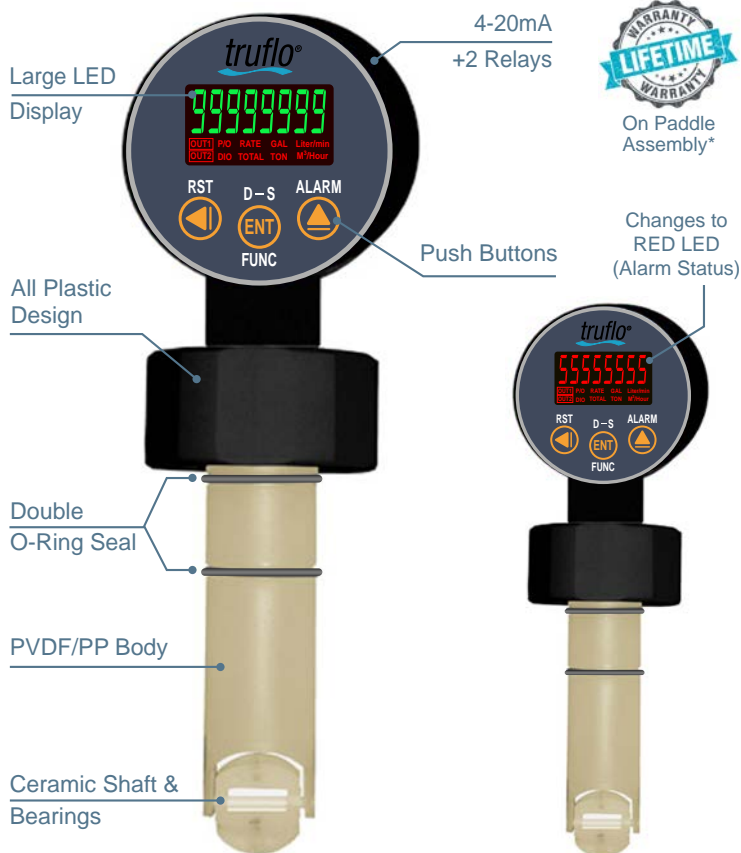
PVDF

PFA



SERIES : LSS

CONNECTION : 1 1/4" G Type Thread



SPECIFICATIONS

Supply Voltage	14 to 28VDC
Measuring Accuracy	$\pm 0.75\%$ of Full Scale
Repeatability	$\pm 0.5\%$ of Full Scale
Input Sampling (Output Responses) Time	6 Cycles/Sec
Readout Range	0-99999 (Flow Rate) 0-99999999 (Totalizer)
Relay Output	Adjustable Set Points
Relay Contact Output	7 Amp
Analog Output	4-20mA
Output Drive	<10mA <10V
Protection Class	IP65 / NEMA 4X
RS - 485 Baud Rate	19200/9600/4800/2400 (Selective)
RS - 485 Protocol	Modbus RTU Mode
Output Frequency	60.5Hz m/s Nominal (18.45Hz ft/s nominal) (Max. 10Hz (totalizer last digit))
Pulse Output Type	Transistor NPN Open-Collector (Max. DC60V/100mA)
LED Display	Bright Red or Green LED (0.4" High)
Parameter Setting	Push Button
Memory Mode	Non-Volatile EPROM Memory
Sensor Body Material	Natural PVDF / PP
Rotor Material	PFA Teflon®
Shaft and Bearing Material	Zirconium Ceramic (ZrO2)
O-rings Material	FKM (Viton®) / EPDM (Opt)
Display Housing Materials	Polymide 66 + PBT + 15% Glass Filled (UL94V-0)
Measuring Viscosity Range	0.5 to 20 Centistokes (cst)
Maximum Particle Size	<10%(Particle) or <0.5mm2 (Max Particle Size)
Maximum Operating Pressure/Temperature	PVDF Body (200 psi @ -30 C (-22 F) to 30°C (86F) Pressure/Temperature 36 psi @ 90°C (194F)
Storage Temperature	(-30 -22F) to 80°C (176F) (20 to 90RH Non-Condensed)
Certification	EN 55022:1998/A1:2000 Class A

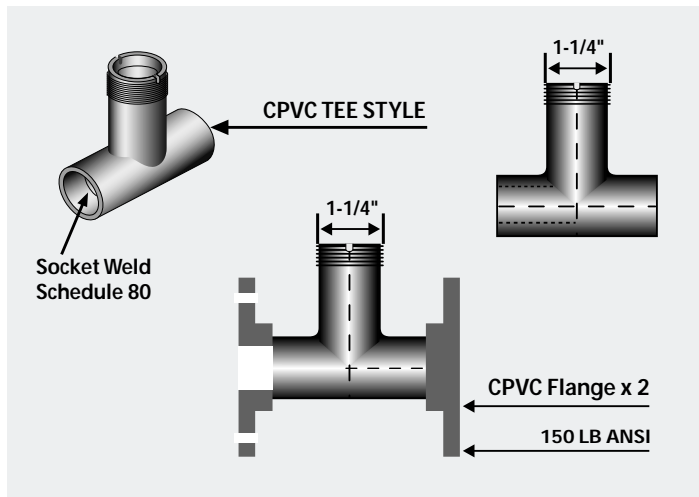
FEATURES

- Large LED Display changes from **Green** to **Red** (Alarm Status)
- High Accuracy / ± 0.75 of Full Scale
- Pipe Size 1/2 - 24"
- Flow Rate + Totalizer / Resettable
- Flow Velocity Range / 0.33 to 26 ft/s / 0.1 to 8 m/s
- Eprom Memory / Totalizer Value Will Not Be Lost
- NEMA 4X / IP65 Protection
- Bright Led Display Flow Units / LPM / GPM / M3 / Ton
- Dual Output 7 Amp Relays
- 4-20mA Output Standard
- Heavy Duty Industrial Design
- Corrosion Resistant All Plastic Wetted Parts / PVDF / PP Body-Zirconium Ceramic Rotor / PFA Teflon® Paddle
- Simple Installation / Retrofits into Signet® Type Fitting

* Consult Factory for Details

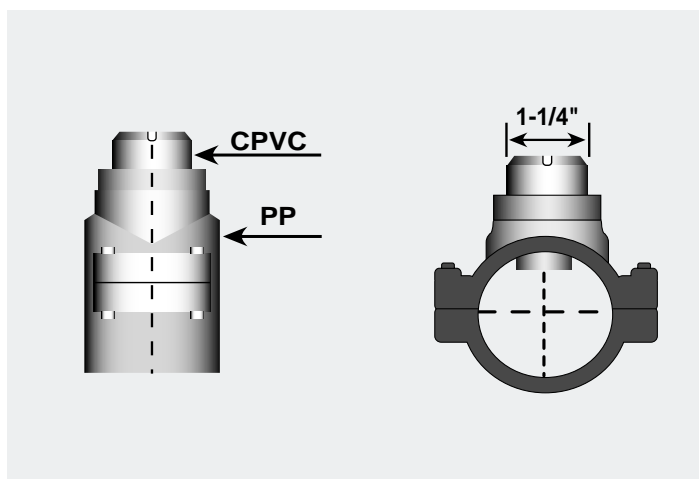
**TEE FITTING (SCH 80)
MODEL CT -**

CPVC Tee fitting for ASTM
SCH 80 Pipe



**CPVC + PP CLAMP SADDLES (SCH 80)
MODEL : SA -**

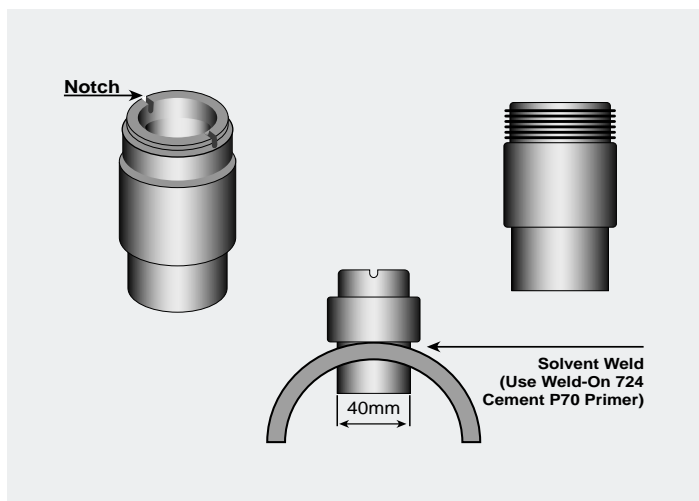
- **Note 1** : 304SS Bolt and Nut for PP Clamp Saddles
- **Note 2** : LCLS - A or C XX (Drilling hole = 40mm)



**CPVC GLUE-ON ADAPTERS
MODEL : P -**



NO	PIPE Size (DN)	Sensor Length
G4	0.5" - 4" (15-100)	T
G24	6" - 24" (150-600)	T1



LSS □ □ - □ □ □ □ □ □ □ □

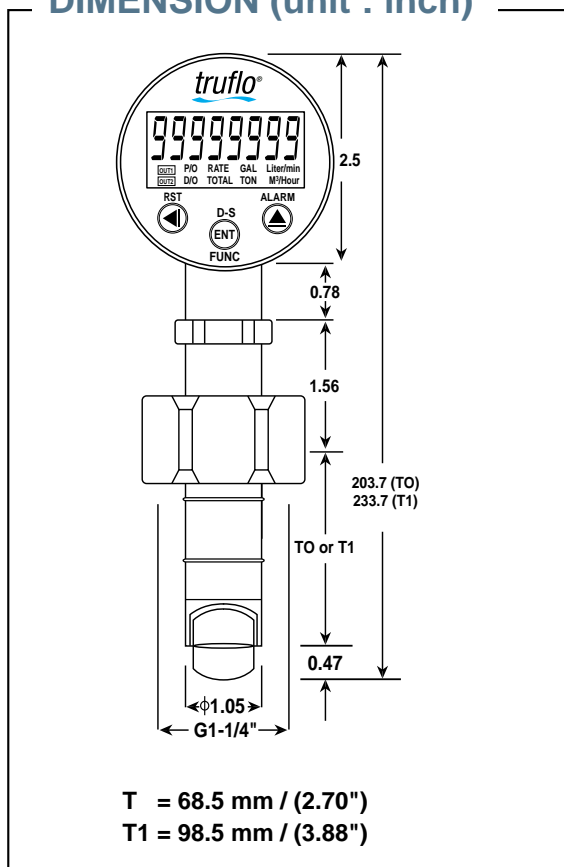
	Sensor body		Sensor Length		Alarm Output		Analog Output		RS-485 Output		Pulse Output		O-rings*		Cable length
3	PP	0	2.70 in (T)	2	Two Relay	3	4-20mA	N	None	N	Pulse	F	FKM	8	8M Standard
5	PVDF	1	3.88 in (T1)					Y	RS-485			E	EPDM	C	Custom

• T (Pipe size 0.5" to 4")
 • T1 (Pipe size 6" to 24")

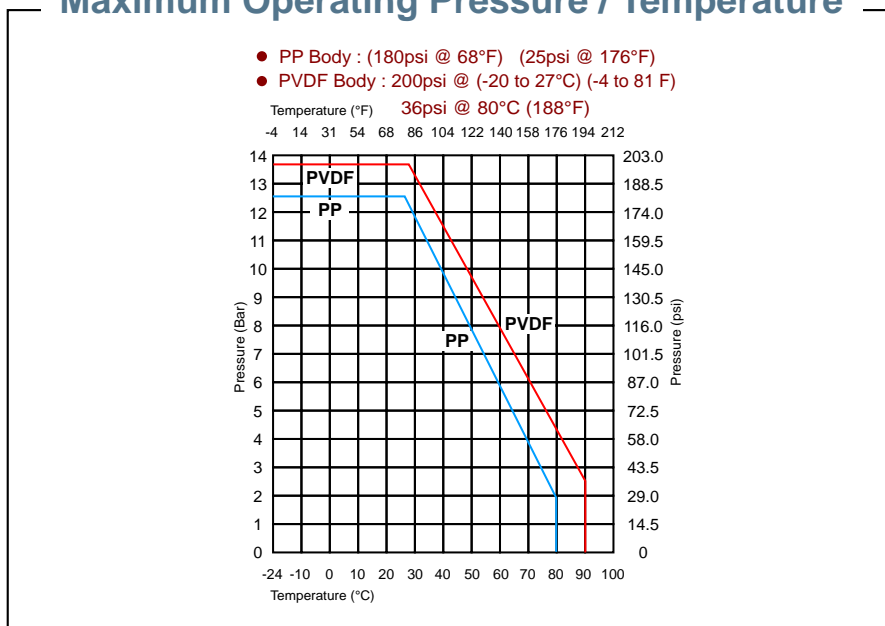
• Relay Contact
 • (DC 30V-7A)

* FKM is Standard

DIMENSION (unit : inch)



Maximum Operating Pressure / Temperature



TERMINAL CONNECTIONS

