

- Corrosion Resistant
- No Filling Required
- High Accuracy

PVC

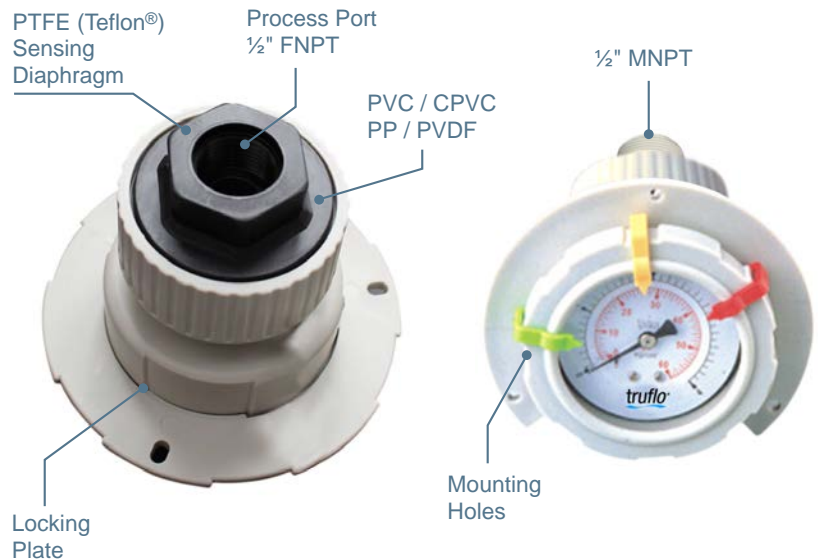
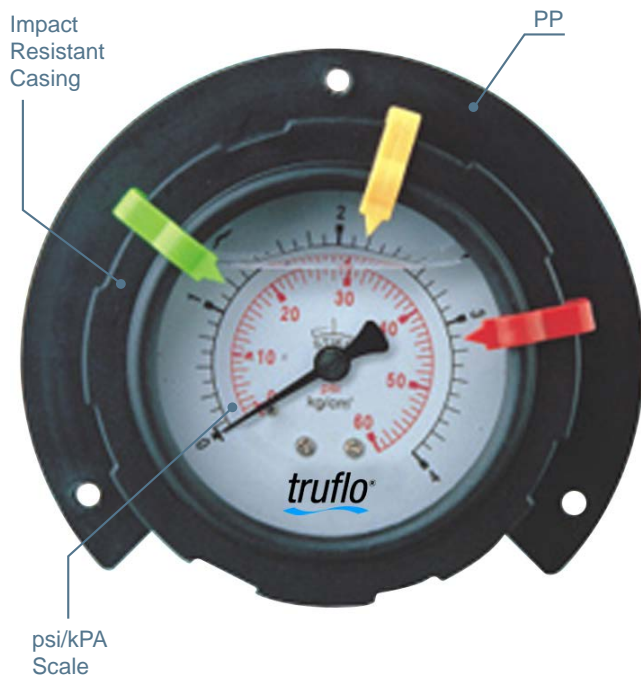
CPVC

PP

PVDF

RoHS
Compliant

SERIES : OBS-A
CONNECTION : 1/2" (M) / (F) NPT / G / Flange
DIAPHRAGM : PTFE Teflon®



FEATURES

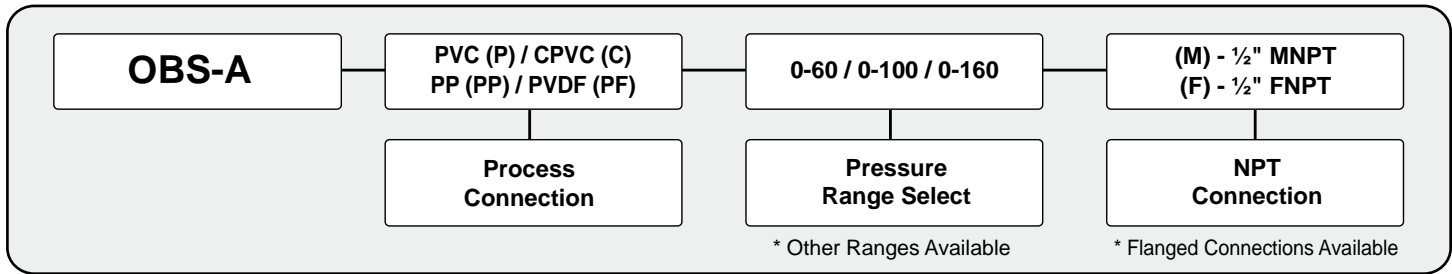
- All Plastic Gauge & Isolator / Filled
- Heavy Duty Design / Simple to Install
- Completely Corrosion Resistant
- Range Markers Act as Visual Pressure Alert
- Extra Large Color Display
- Reduces Pressure Surges caused by Water Hammer / Metering Pump Pulsations
- Highest Accuracy in Industry / $\pm 1.5\%$
- Glycerin or Silicone (Opt)
- No Filling Required
- One-Piece Molded Design / No Assembly
- Suitable for Corrosive Media / Slurries

SPECIFICATIONS

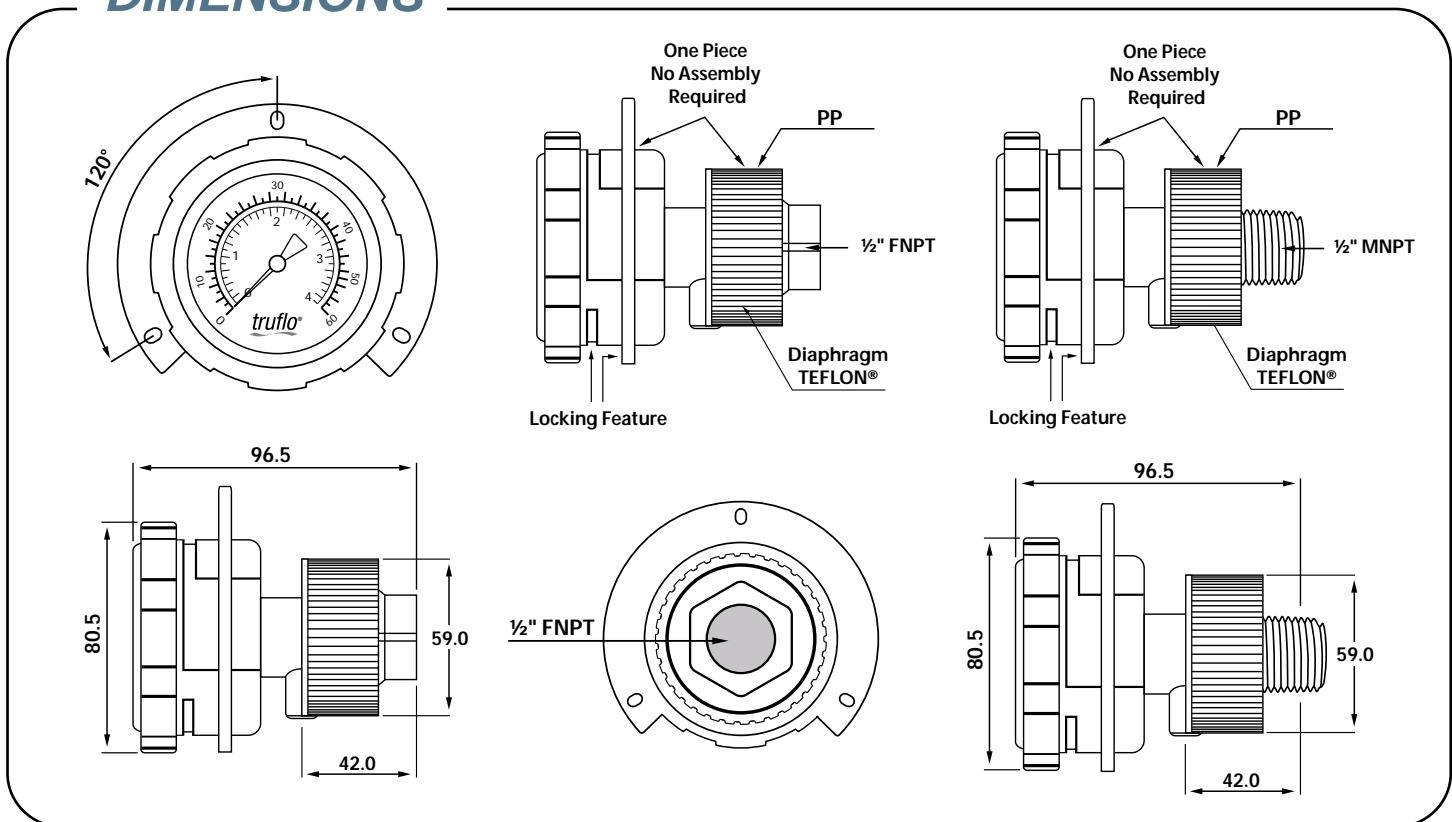
Dial Diameter	Large 2½" Face / Big Numbers / Clear Markers
Mounting	Direct Mount / Panel Mount
Housing	PP / Teflon® Diaphragm - One Piece Molded Design / (No Assembly / Filling Required)
Lens	High Impact Polycarbonate
Dial	Red & Black Scale White Background / dial arc 270°
Measuring Principle	Bourdon Tube / SS316 Diaphragm / PTFE Teflon®
Movement	SS316 / Brass
Gauge	Red / Yellow / Green / Movable Plastic Pressure Range Pointers Fitted on the Bezel
Connection	1/2" (M) / (F) NPT / G Type / Flange
Filling	Glycerin / Silicone (Optional)
Accuracy	$\pm 1.5\%$ F.S.
Operating temperature	PVC - 140°F / CPVC - 180°F / PP - 170°F / PVDF - 195°F
Pressure Range*	Standard Ranges / 0-60 / 0-100 / 0-160 psi (Second Scale: kPa) Other units available / bar / MPa

* (Non-Shock)

HOW TO ORDER



DIMENSIONS



INSTALLATION

Do not tighten by grasping the case of the gauge as this may cause damage.

1. Before installing the OBS Series pressure gauge, ensure attention is given to the Process Liquid, Chemical Compatibility, Temperature, Vibration, Pressure Spikes and other climatic and application conditions that may adversely affect the performance.
2. The user shall ensure that the correct gauge pressure range and the correct materials of construction are selected.

