

- High Accuracy  $\pm 1\%$
- 4-20mA + 2 Relay Outputs
- Excellent Chemical Resistance

PVC

CPVC

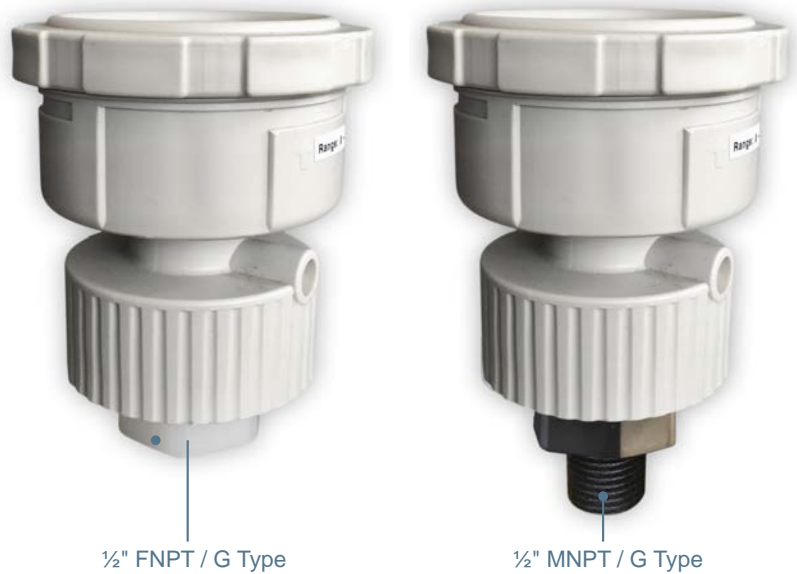
PP

PVDF

**RoHS**  
Compliant

CE

**SERIES : OBS-C-LE**  
**CONNECTION : 1/2" (M) / (F) NPT / G / Flange**  
**DIAPHRAGM : PTFE Teflon®**



### FEATURES

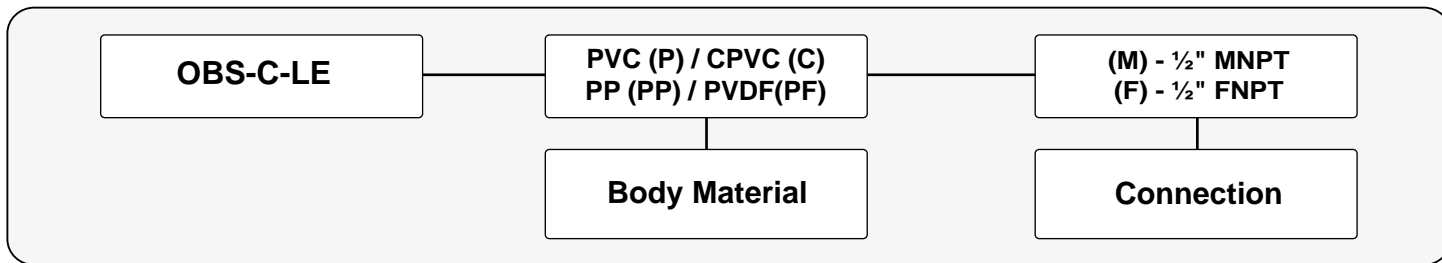
- All Plastic / Gauge & Isolator / Center Mount
- No Filling Required
- Heavy Duty Design / Simple to Install
- Completely Corrosion Resistant
- Designed to Act as Visual Pressure Alert for Bag/Filter Change-Out
- Extra Large LED Display
- Reduces Small Pressure Surges caused by Water Hammer / Metering Pump Pulsations
- Highest Accuracy in Industry /  $\pm 1\%$
- One-Piece Molded Design / No Assembly
- Suitable for Corrosive Media / Slurries
- No Programming Required
- PTFE Diaphragm Standard
- 15 ft of Cable Supplied
- No Assembly Required / Fit & Forget

### SPECIFICATIONS

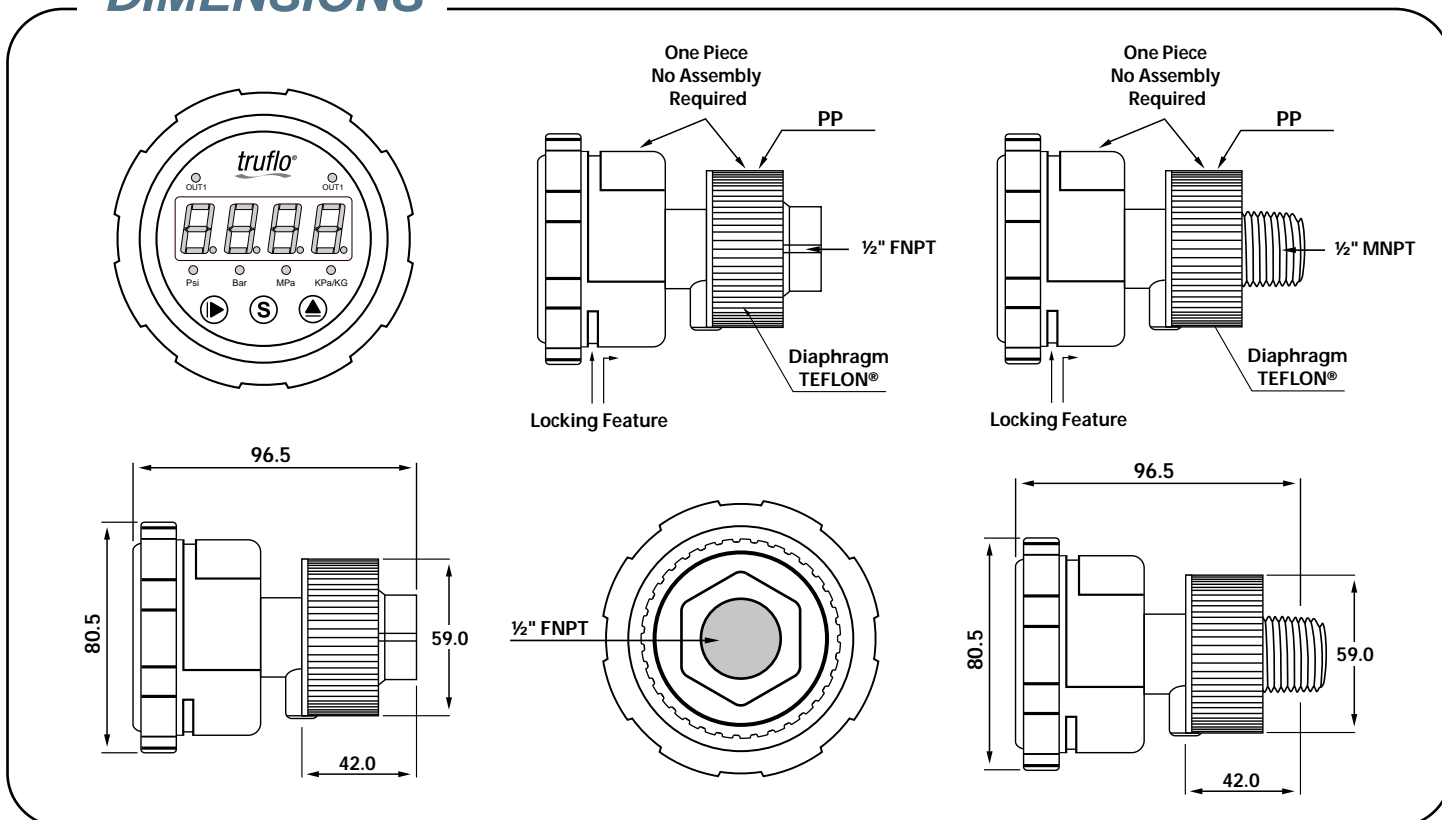
Dial Diameter	Large 2 1/2" Face / Big LED Numbers
Mounting	Direct Mount : Back / Center Connection / 1/2"
Housing	NEMA 4X PVDF / PP / PTFE Diaphragm One Piece Molded Design (No Assembly)
Power Consumption	Less than 30mA
Display	LED
Connection	1/2" (M) / (F) NPT / G Type / Flange
Accuracy	$\pm 1.0\%$
Operating Temperature	PVC - 140 F / CPVC - 180F / PP - 170°F PVDF - 195 F
Pressure Range*	0 - 150 psi / 10 bar (Ambient Temp)
Output	4-20mA + 2 (NPN or PNP) Relay Outputs
Power Supply	10-30VDC

\* (Non-Shock)

## HOW TO ORDER



## DIMENSIONS



## INSTALLATION

Do not tighten by grasping the case of the gauge as this may cause damage.

1. Before installing the OBS Series pressure gauge, ensure attention is given to the Process Liquid, Chemical Compatibility, Temperature, Vibration, Pressure Spikes and other climatic and application conditions that may adversely affect the performance.
2. The user shall ensure that the correct gauge pressure range and the correct materials of construction are selected.

