

- No Filling Required
- Suitable for Corrosive Environments
- High Impact Casing

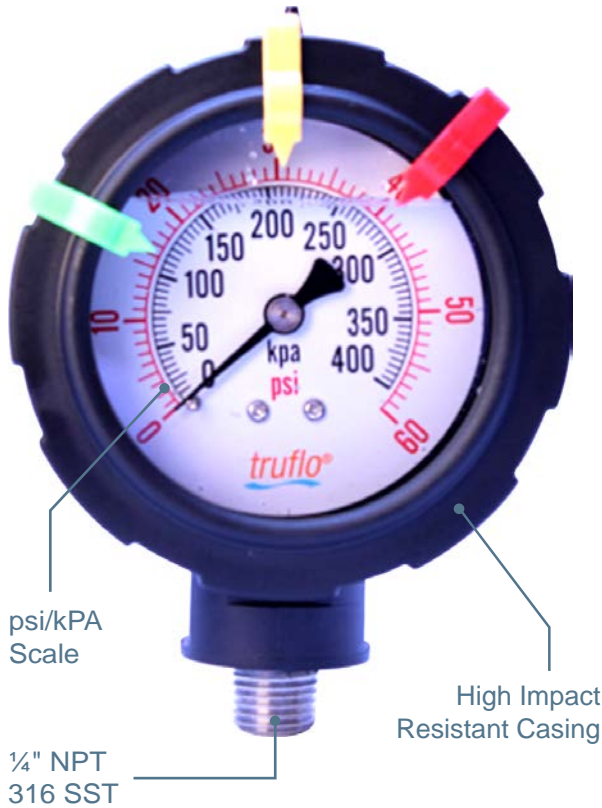
PP

316 SS



SERIES : OBS-GO

CONNECTION : 316 SS 1/4" NPT / G



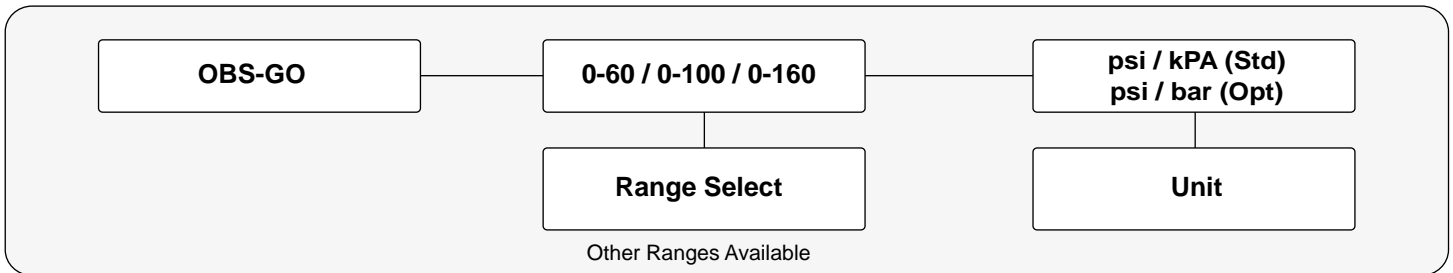
FEATURES

- Heavy Duty Design
- Suitable for Corrosive Environments
- Dual Scale / Red / Black
- Suitable for Pulsing Applications
- 3 Range Tabs / **Red** / **Yellow** / **Green**
- Extra Large Color Display
- High Accuracy / $\pm 0.75\%$
- Factory Pre-Filled Glycerin
- High Impact Casing
- Visual Pressure Ranges
- Simple to Install
- Perfect Mate for GI Series Isolators

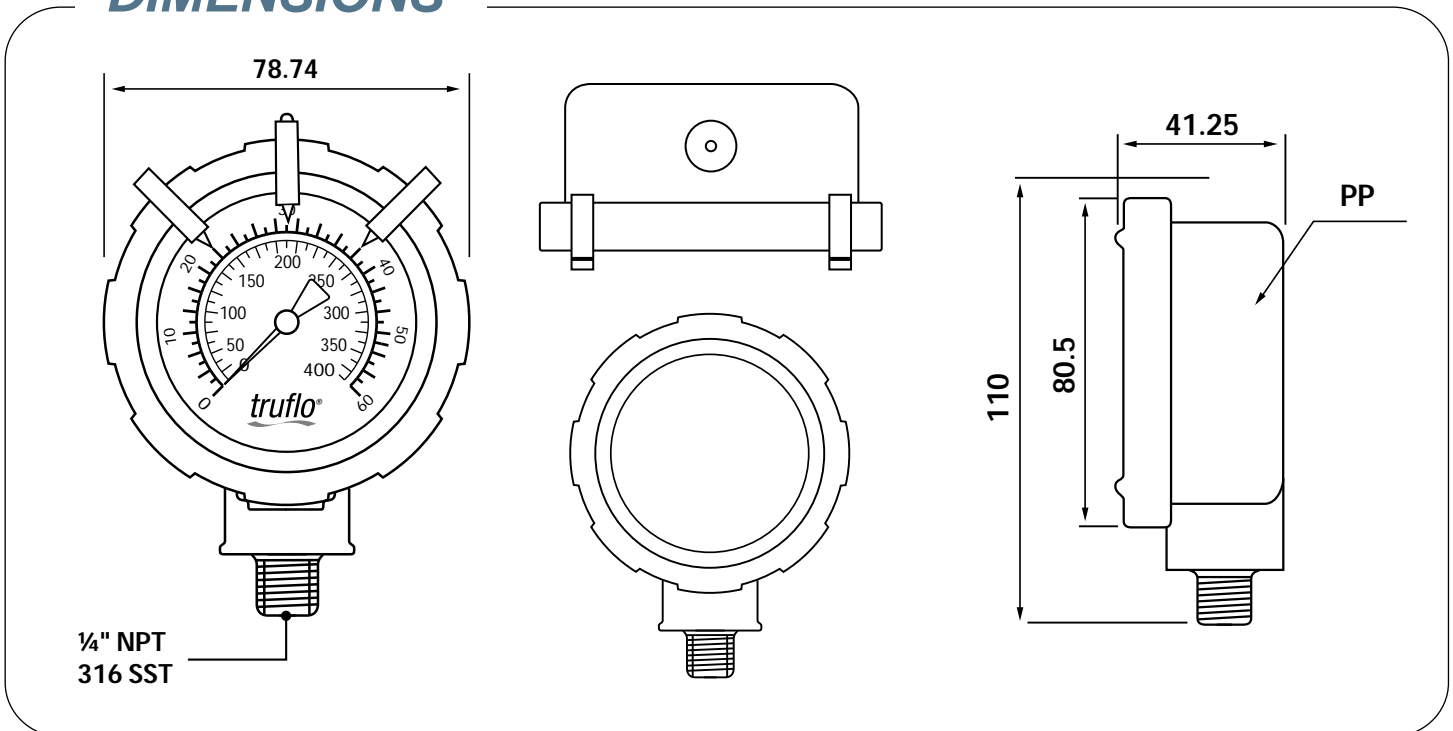
SPECIFICATIONS

Dial Diameter	Large 2 1/2" Face / Big Numbers / Clear Markers
Mounting	Direct Mount / Bottom Connection MNPT / 1/4"
Housing	Polypropylene
Lens	High Impact Polycarbonate
Dial	Red & Black Scale White Background / dial arc 270°
Measuring Principle	Bourdon Tube / SS316 / Brass
Movement	SS316 / Brass
Gauge	Red / Yellow / Green / Movable Plastic Markers Pressure Range Pointers Fitted on the Bezel
Connection	1/4" (M) NPT / G Type / 316 SST
Filling	Glycerin (Std) / Silicone (Opt)
Accuracy	$\pm 0.75\%$
Operating temperature	Max. Working Temp / PP - 180°F
Pressure Range	Standard Ranges / 0-60 / 0-100 / 0-160 psi (Second Scale: kPA) (Pressures up to 1500 psi) Other units available / bar / MPa

HOW TO ORDER



DIMENSIONS



Installation

Do not tighten by grasping the case of the gauge as this may cause damage.

1. Before installing the OBS Series pressure gauge, ensure attention is given to the Process Liquid, Chemical Compatibility, Temperature, Vibration, Pressure Spikes, and other climatic and application conditions that may adversely affect the performance..
2. The user shall ensure that the correct gauge pressure range and the correct materials of construction are selected.

