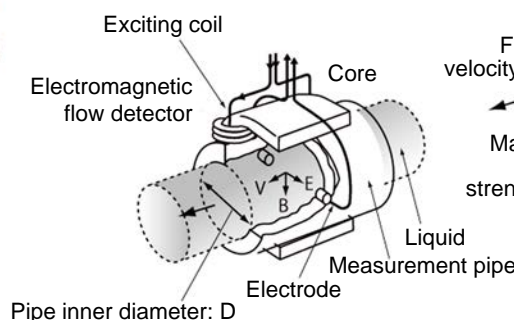
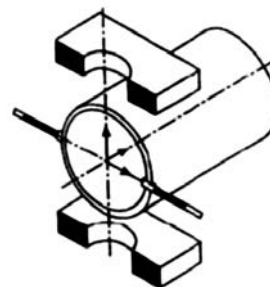




LED Power / Flow Indication



According to the Faraday electromagnetism principle the induced tension in a conductor moving in a magnetic field is directly proportional to speed of the conductor

### ACCURACY / PRINCIPLE

The PM Series flow meters are calibrated on a test bench with a precision better than + 5 pulses /1000. Electrodes fitted at 90° from the fluid movement and in contact with the conductive liquid measure the generated potential. This potential is proportional to the speed flow (Faraday law) and to the flow rate if the pipe section is constant.

### FEATURES

- No Moving Parts
- Excellent Chemical Resistance
- Flow Rates / 0.25 to 250 LPM
- Pulse Output
- Stainless Steel 316L Electrodes
- Easy to Install
- Independent of Fluid Density / Temperature / Pressure
- Insignificant Pressure Loss
- LED Visual Flow Indicator
- Horizontal / Vertical Installation

### SPECIFICATIONS

Power Supply	24VDC
Consumption	20mA / 0.65W
Protection	Against Polarity Inversion
Output Signal	NPN Type
Status	RED LED = Powered GREEN LED = Output (Pulse)
Wiring	DIN 43650-A Plug
Process Connection	1/2" / 3/4" / 1"
Nominal Diameter	14 mm / 18 mm / 25 mm
Material	PVDF
Tube and Electrodes	Stainless Steel 316L
Weight	250g
Minimal Conductivity	20
Maximal Pressure*	10 bar / 20°C / 8 bar / 40°C / 6 bar / 160°C
Operating Temperature	-10°C - 100°C

\* (Non-Shock)

### Flow Ranges - Pulse Outputs

Pulse output				
Range L/min	Ø	Hz/Limin	Range Hz	Pulse / L
0.25 to 5	½"	16,6667	1.6 to 83	1000
1 to 20	½"	13,3333	13 to 267	800
2.5 to 50	¾"	2,6666	5 to 134	160
5 to 100	1"	2,6666	13 to 267	160
10 to 150	1"	1,3333	13 to 200	80

Green LED = Output (Pulses)



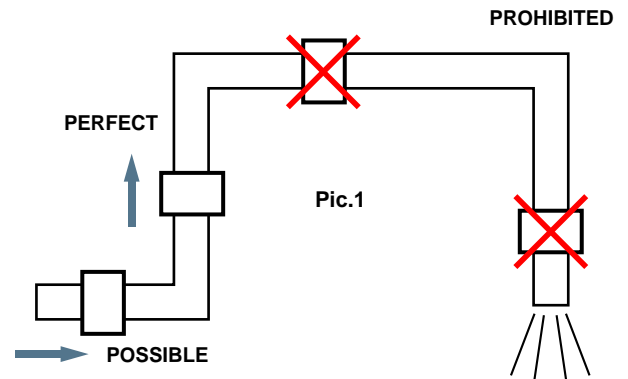
### CAUTION

Please follow these Installation Recommendations  
The flow meter electrodes have to be in constant contact with the fluid.

According to Pic. 1 the upward and downward lengths of the pipe (respectively upstream and downstream) should be as long as possible; the pipe diameter should corresponds to the connection diameter.

Avoid elbows, valves and any other obstructions close to the flow meter.

Do not install the PM Series close to a heating device and/or a powerful magnetic field.

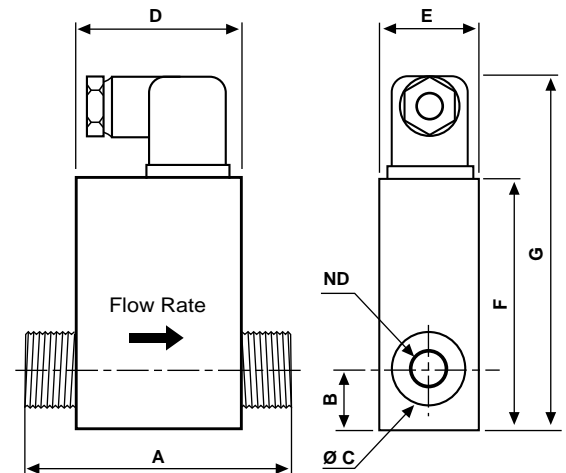


### DIMENSIONS

Model	A	B	Ø A	D	E	F	G	ND
½"	84.5	18.5	½" MG	80	36	88	100	8
¾"	90	20	¾" MG	80	36	88	100	14
1"	90	22	1" MG	80	36	88	100	18

#### Wiring DIN 43650 Plug

- Pin 1 : Power supply 24VDC
- Pin 2 : Output collector opto-isolated
- Pin 3 : Output transmitter opto-isolated
- Pin 4 : 0VDC



### ORDERING

Size	Part Number	Material
½"	PM0500	PVDF Body / 316 Electrodes
¾"	PM0750	PVDF Body / 316 Electrodes
1"	PM1000	PVDF Body / 316 Electrodes