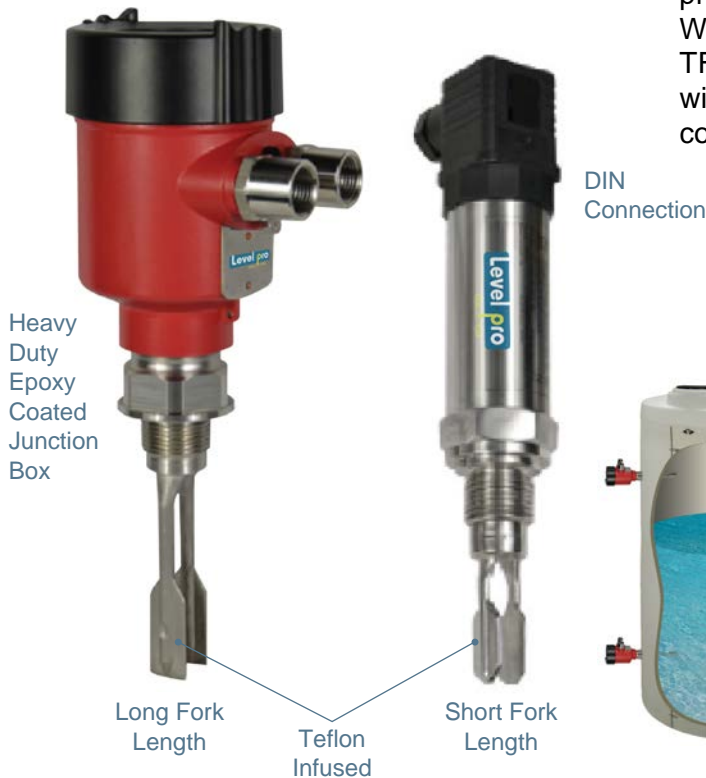


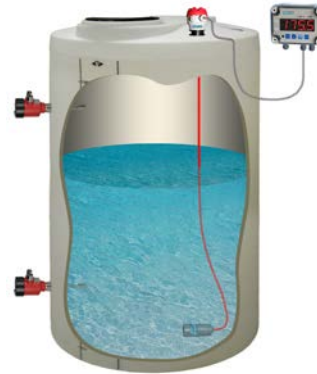
- Excellent Chemical Resistance
- Suitable for Thick Coating Liquids
- Relay Delay Output 1-30 Sec

The TFS Series is a vibrating type level switch for use in all liquid and slurry applications such as overflow, high, low, and demanding applications, as well as pump protection.

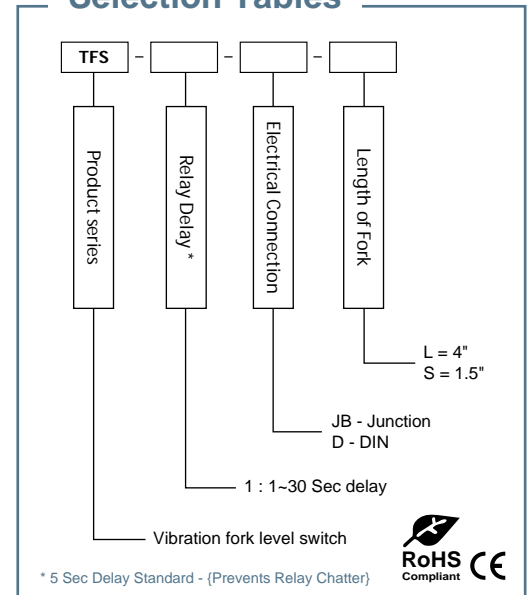
The TFS Series is designed for industrial use in all areas of process technology and can be used with liquids and slurries. With a tuning fork insertion length of only 45 mm (1.77") the TFS switch can be mounted in small pipes and applications with confined space. The TFS Series can be used in difficult conditions including turbulence, air bubbles, and foam.



DIN Connection



Selection Tables



FEATURES

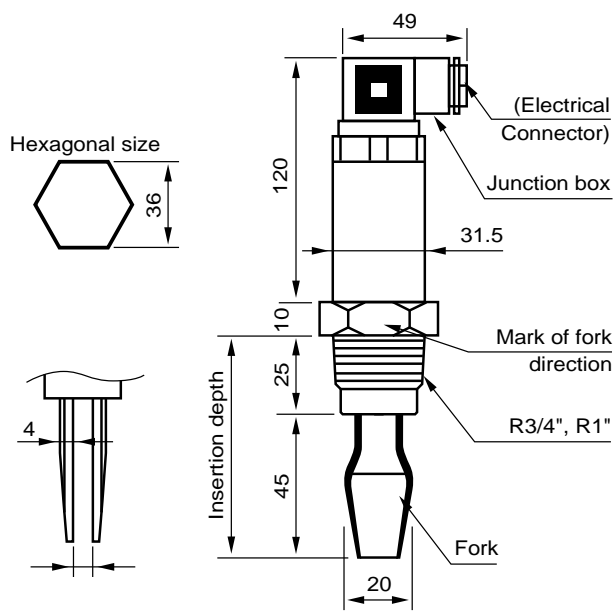
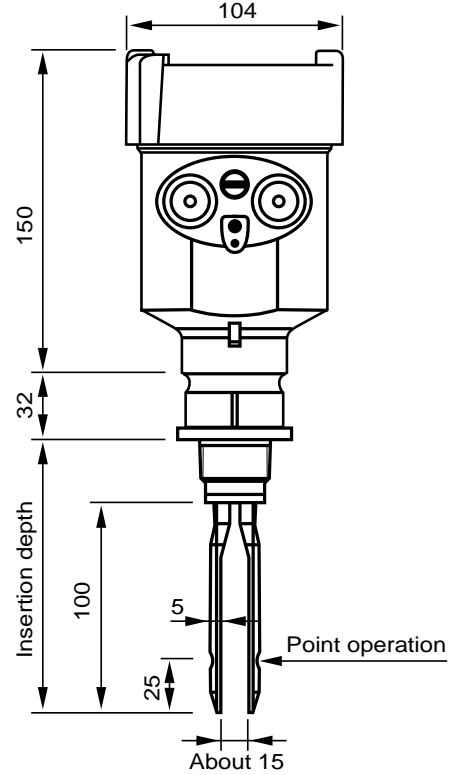
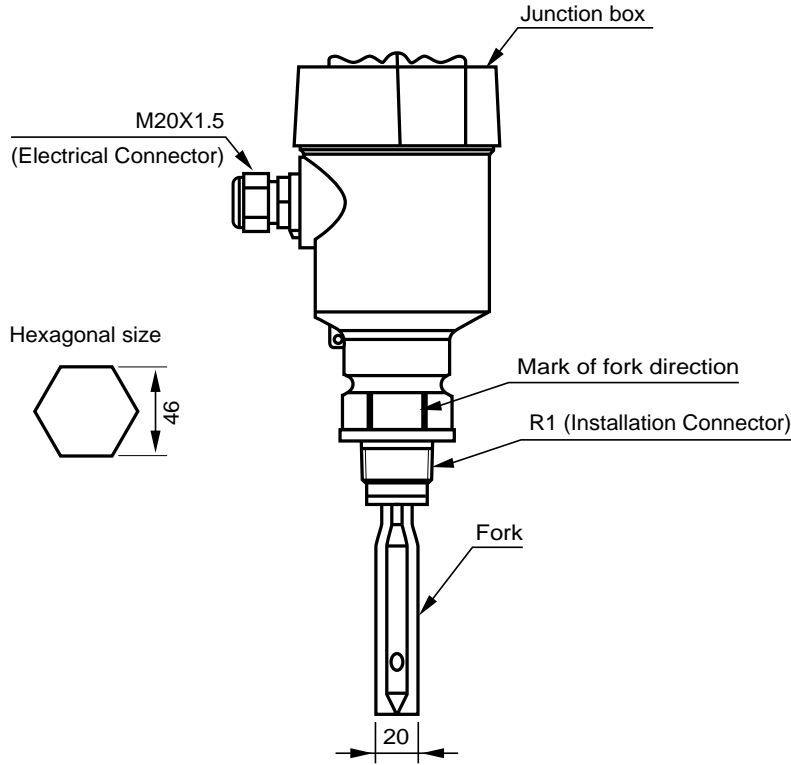
- Corrosion Resistant PTFE / Teflon®
- ¾" NPT Connection
- Relay Output
- No Programming Required
- Suitable for Dense Foam / Viscous Liquids
- Excellent Chemical Resistance
- Fail Safe Diagnostics
- Simple to Install
- Heavy Duty Design
- IP67 Housing - Epoxy Coated Enclosure
- Excellent Choice for Coating Liquids
- Loop Powered
- Adjustable Relay Delay 1-30 Seconds*

SPECIFICATIONS

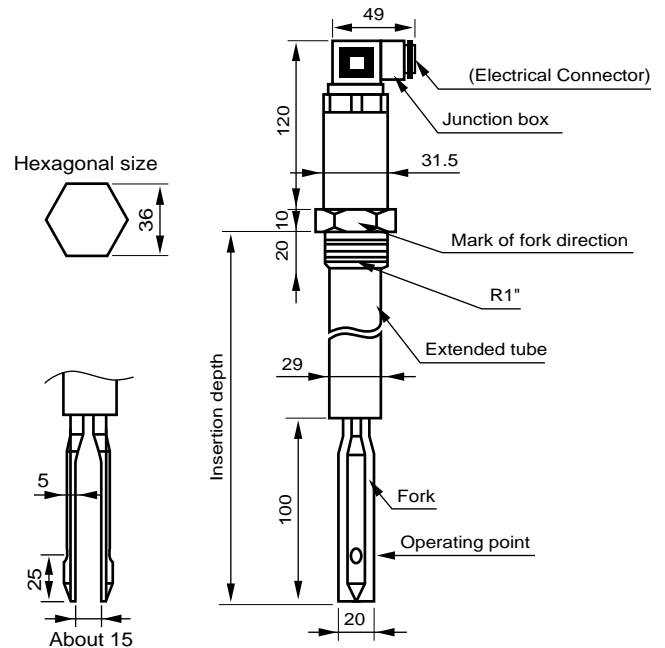
Power Supply	24VDC
Output	SPST (Std) or PNP/NPN (Opt)
Working Temp.	<30 PSI, 2MPa
Working Pressure	Small than 2MPa
Medium Density	> 0.6g/cm ³
Operation Point	Vertically inserted approx 1" (25mm)
Oscillation Starting Time	About 3mm
Response Time	About 1 seconds
Output	DC 30V /3A
Hysteresis settings	About 3mm
Relay Delay Time	1~505
Power Consumption	< 1W
Process Connection	¾" NPT/G Thread
Electrical Connector	M20x 1.5 (Electriccoated cable: 6-8mm)
Material to Contact Liquid	316 SS Coated PTFE Teflon®
Electrical Connection	Gland M16 x 1.5 (standard)

* 5 Sec Delay Standard - (Prevents Relay Chatter)

DIMENSIONS



a. Short Fork



b. Long Fork