


TK3 SERIES

MULTI-FUNCTION 316 SS FLOW METER



Truflo provides excellence in flow meter products for many industries. This high level of performance results from decades of experience enhancing paddle wheel flow measurement technologies. The results are flow meter products recognized worldwide for their quality, performance, versatility and ease-of-use. Our flow meters deliver impressive performance – even under the toughest conditions.

316SS



SERIES : TK3
CONNECTION : NPT / DIN / Sanitary
SEALS : FPM / EPDM / FFKM



On Paddle Assembly*



Available with Sanitary Ends



Zirconium Ceramic Rotor Pin & Bearings



FEATURES

- High Accuracy / $\pm 1.0\%$ of Full Scale
- Unit of Flow Measurement is Selectable LPM / GPM / KL
- Corrosion Resistant Materials 316 SS / TEFZEL / CERAMIC
- Low Cost Visual Indication
- Easy Installation / No Mounting Kits
- High Flow Range - 0.3m/s - 10m/s / 0.98 ft/s - 32.8 ft/s
- NPT / G / Sanitary / End Connections
- Compact Design
- Large Bright LED Digital Display
- Horizontal / Vertical Installation
- Size Range $\frac{1}{4}$ – 2"
- Low Pressure Drop
- (4-20mA) / (Pulse) / Output Signal
- NEMA 4X Enclosure
- Suitable for Corrosive Environments
- Password Protected Security

SPECIFICATIONS

Fluid	Water or Liquid Chemicals / Viscosity Range: 0.5-20 centistokes
Accuracy	$> \pm 1.0\%$ of F.S. @ 20°C (68°F) / Repeatability $\pm 0.5\%$ of Full Scale
Max Flow Velocity	10 m/s max / 32.8 ft/s max
Min Flow	0.3 m/s min / 0.98 ft/s min
Operating Pressure	150 psi (Non-Shock)
Turndown	33:1
Response time	Real Time
Material of Construction	Paddle: Tefzel® Body: 316 SS Shaft: Zirconium Ceramic Seals: FPM / EPDM (Opt)
Operating Temperature	316 SST < 120°C / 248°F
Electronics	+ 50°C (122°F)
Protection Class	IP66 / NEMA 4X
Approval	CE / Rohs
Current Draw	60mA Max
Battery	10-30VDC

*Consult Factory for Details

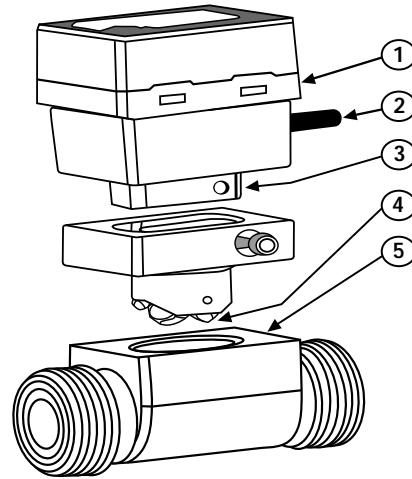
TK3 SERIES

MULTI-FUNCTION 316 SS FLOW METER



PARTS TK3 SERIES

1. Flow Controller
2. Lead Wire
3. Hall Sensor
4. Paddle Wheel
5. Body 316 SS



PRODUCT SELECTION

EXAMPLE

TK3P ----- 25 ----- E ----- GT ----- T
 (1) (2) (3) (4) (5)

1. SERIES

- TK3B = Battery Operated Paddle Wheel Flow Meter - Flow Rate + Flow Total
- TK3S = Paddle Wheel Flow Meter with Relay Output + Flow Rate Pulse Output
- TK3P = Paddle Wheel Flow Meter & Flow Totalizer + Flow Rate Pulse + Flow Total Pulse
- TK3M = Paddle Wheel Flow Meter with Transmitter 4-20mA + Flow Rate Pulse / Flow Total Pulse
- TK3W = Paddle Wheel Flow Meter / 4-20mA or Pulse

2. PIPE SIZE

- 08 / (1/4") / 10 / (3/8")
- 15 / (1/2") / 20 / (3/4")
- 25 / (1") / 40 / (1 1/2")
- 50 / (2")

3. Seals*

- E - EPDM
- F - FFKM
- * FPM is Standard

4. End Connections

- SE - Sanitary Ends GT - G Thread
- T - NPT (Standard)

5. COMMUNICATION OR TRANSMITTER

RS = TKP Series with RS-485 MODBUS Selectable

6. CONNECTION METHOD

- M = M12 2(M) Connection (Option)
- * No Electrical Connection for TK3B Series

TYPICAL APPLICATION

