

- No Programming
- Excellent Corrosion Resistance
- Output / Pulse / Voltage / 4-20mA



On Paddle Assembly*



LED Flow Indicator



Zirconium Ceramic Rotor Pin & Bearings

PVC

PP

PVDF

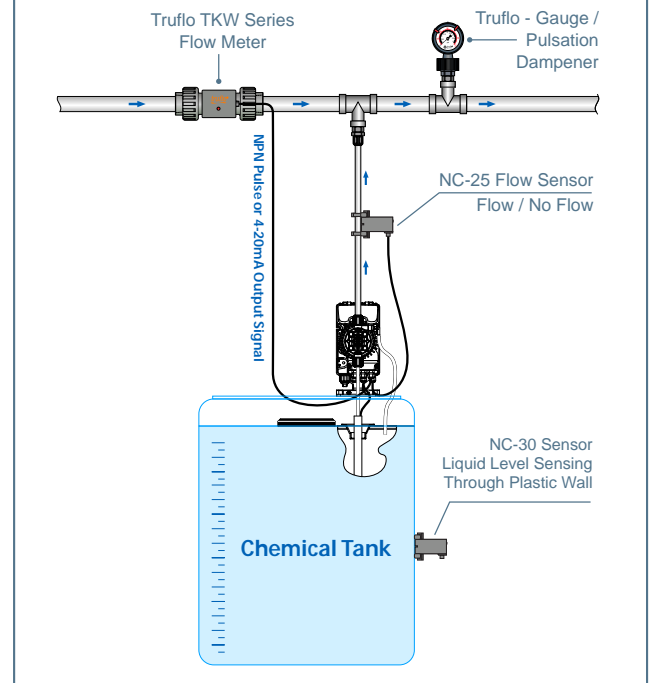


SERIES : TKW

CONNECTION : SOC / NPT / Flange / Butt / DIN

SEALS : FPM / EPDM / FFKM

TYPICAL APPLICATION



FEATURES

- High Accuracy / $\pm 1.0\%$ of Full Scale
- NPN Pulse / Voltage / 4-20mA Output
- Corrosion Resistant / PVC / PP / PVDF*
- Low Cost Visual Indication
- Easy Installation / No Mounting Kits
- Compact Design
- Horizontal / Vertical Installation
- Size Range $\frac{1}{2}$ - 4"
- Low Pressure Drop
- NEMA 4X Enclosure
- Suitable for Corrosive Environments
- True-Union Design $\frac{1}{2}$ - 2" / Flanged 3" - 4"

* Note : CPVC Union Ends Available

SPECIFICATIONS

Fluid	Water or Liquid Chemicals / Viscosity Range: 0.5-20 centistokes
Accuracy	$> \pm 1.0\%$ of F.S. @ 20°C (68°F) / Repeatability $\pm 0.5\%$ of Full Scale
Max Flow Velocity	10 m/s max / 32.8 ft/s max
Min Flow	0.3 m/s min. / 0.98 ft/s min
Operating Pressure	150 psi (Non-Shock)
Turndown	33:1
Response time	Real Time
Material of Construction	Paddle: Tefzel® Body: PVC / PP / PVDF Shaft: Zirconium Ceramic Seals: FPM (Std) / EPDM / FFKM
Operating Temperature	PVC < 60 C (140 F) / PP < 80°C (176°F) / PVDF < 110°C (230°F)
Electronics	+ 50°C / 122F
Protection Class	IP66 / NEMA 4X
Approval	CE / Rohs
Current Draw	60mA Max
Operating Voltage	10-30VDC

*Consult Factory for Details

PRODUCT SELECTION

EXAMPLE

TKW ----- 25 ----- PVC ----- E
 (1) (2) (3) (4)

1. SERIES

TKW = Paddle Wheel Flow Meter with Transmitter Output

2. PIPE SIZE

15 / (½") / 20 / (¾")
 25 / (1") / 40 / (1 ½")
 50 / (2") / 80 / (3") 100 / (4")

3. BODY MATERIAL

P - PVC
 PP - Polypropylene
 PF - PVDF

4. SEALS *

E - EPDM
 F - FFKM
 * FPM is Standard

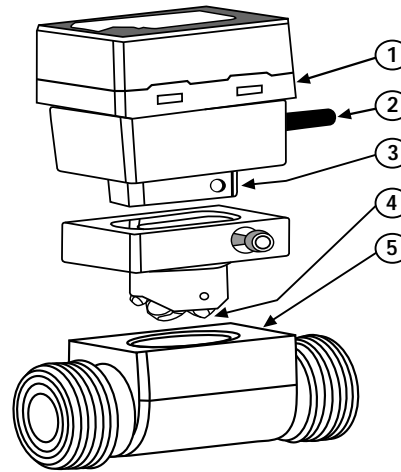
5. END CONNECTIONS

S - Sch 80 Soc D - DIN
 T - NPT F - ANSI 150 lb FLANGE
 B - SDR11 Butt

6. OUTPUTS - (PULSE OUTPUT STD)

V - 0-5 Volts Output
 A - 4-20mA Output

PARTS TKW SERIES

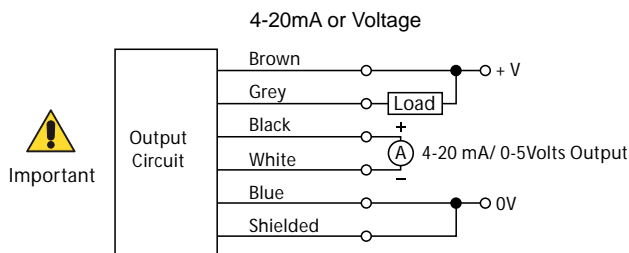


1. Flow Controller
2. Lead Wire
3. Hall Sensor
4. Paddle Wheel
5. Body (PVC / PP / PVDF)*

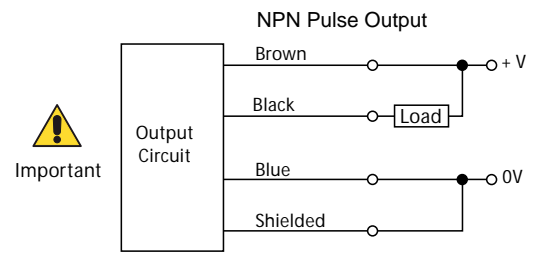


* CPVC Socket Ends Available

Wiring Diagram



Brown	12-24VDC	Black	+ 4-20mA / 0-5V Output
Blue	0V	White	- 4-20mA / 0-5V Output
Grey	NPN Paddle Pulse Output	Shielded	Ground



Brown	12-24VDC	Black	Pulse Output
Blue	0V	Shielded	Shielded Wire

DC Power Only

Application Note

Load resistance:

Current output : (4-20mA) : 120Ω max.
 Voltage output : (0-5V) : 10KΩ min.

Range of Transmitter

TKW Series	DN15 / ½"	DN20 / ¾"	DN25 / 1"	DN40 / 1 ½"	DN50 / 2"
Range LPM / GPM	0-30 LPM / 0-8 GPM	0-60 LPM / 0-16 GPM	0-90 LPM / 0-24 GPM	0-200 LPM / 0-53 GPM	0-330 LPM / 0-87 GPM