

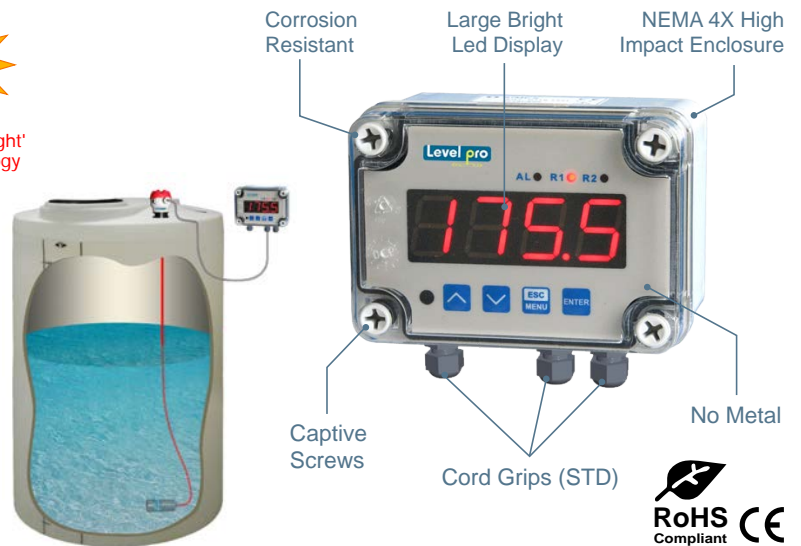
- Super Bright LED Digits
- NEMA 4X Enclosure
- Security Protection



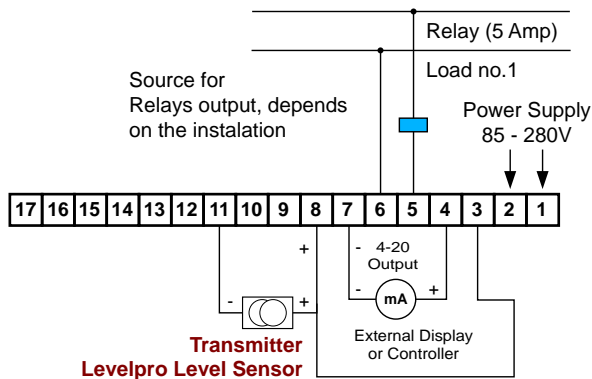
Super 'Sunbright' LED Technology



RIS-15
IR Remote Controller



PIN ASSIGNMENT



ACCESSORIES



IR Remote Controller
RIS-15

ORDERING

Part Number	Input	Output
TVL-550-1821	4-20mA	2 Relay
TVL-550-1829	4-20mA	4-20mA + 1 Relay

FEATURES

- All in One Controller / NEMA 4X Enclosure
- Input : 4-20mA or Voltage
- 1 Relay + 4-20mA Output or 2 Relay Outputs
- Input 120VAC / Output 24VDC to Power Sensor
- RS-485 / Modbus RTU Standard
- Signal Peak Value Detection
- 3 Wire Cord Grips Included
- 8 Levels of Brightness / Suitable for Sunny Locations

SPECIFICATIONS

Power supply	85 - 260VAC
Display	LED / 4 x 20 mm High / Red / Adjustable Brightness
Displayed values	-999 - +9999
Input	Current: 4-20mA
Accuracy	0.1% @ 25°C One Digit
Stability	50 ppm/°C
Outputs (option)	2 x Relays (5A) / 1 x Relay (5A) + 4-20mA
Passive current output (option)	4-20mA / (Operating Range Max. 2.8 - 24mA)
Communication Interface	RS-485
Operating temp	-40 - 158°F / (-40 - 70°C)
Storage temp	-40 - 158°F / (-40 - 70°C)
Protection class	NEMA 4X / IP67
Case	Wall Mounted / Material - Polycarbonate
Dimensions (WxNxH)	110 x 105 x 67 mm