

- Heavy Duty Industrial Design
- PVC / PP / PVDF Plastic Submersible Sensor
- Epoxy Coated Heavy Duty Enclosure / Display



The new TankPro Series Submersible Level Sensor converts the level-proportional hydrostatic pressure into a standardized 4-20mA signal. The sensor consists of a corrosion thermoplastic sensor with mechanical protection IP68 piezoresistive ceramic diaphragm. The sensor cable has a PTFE Teflon® encapsulate and contains a ventilation tube for reference to the atmosphere. The back-lit display provides accurate visual indication of the process level measurement.

The new external three-button menu function makes it simple to program and operate.

MAIN PARAMETERS	
Pressure Types	Submersible Pressure Sensor
Measuring Range	0'-14' / 0'-20' 0'-34' / 0'-54'
Output Signal	4-20mA
Reference Accuracy	±0.5%
Measuring Medium	Liquids
Field of Application	Liquid Level Measurement

SPECIFICATIONS	
Level ft/H ₂ O	14.0 20.0 33.5 54
Overpressure psi	21 29 29 58
Burst Pressure > psi	29 58 58 72
Output Signal/Supply	2-wire: 4-20mA Loop Powered Optional - 4-20mA + HART / 0-5VDC Modbus - RTU/RS485
Accuracy	±0.5%
Influence Effects	Supply : 0.05% Full Scale / 10V Load : 0.05% Full Scale / K
Long term stability	< ±0.1% Full Scale over One Year
Response time	<10 msec or better
Thermal Error	< ±0.2% FSO/K in compensated range -25 - 70°C / -13 - 158°F
Permissible Temp	PVC 0 - 60°C / 32 - 140°F / PP -20 - 80°C -4° -180°F / PVDF -20 - 80°C Medium- -4 - 180°F / Storage -10 - 60°C
Short-circuit Protection	Permanent
Reverse Polarity Protection	No Damage to Sensor
Electromagnetic Compatibility	Emission Immunity according to EN 61326
Short-circuit Protection	Permanent

* Also available in 316 SS Version

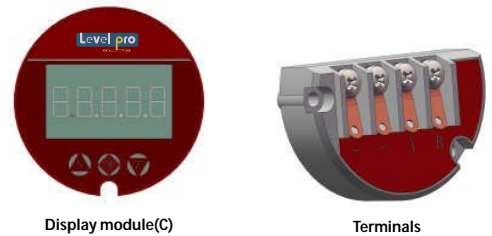
Enclosure Selection

Item	Description
Electrical Connection	Aluminum-alloy terminal - 2 cable entry M20*1.5(F) / red body / white cover
Cable Entry Protector	Waterproof connector M20*1.5 one side / blind plug another side / PVC material / 6-8mm diameter cable / IP67
	Flame proof / ½ NPT(F) one side / blind plug other side / stainless steel material / 6-8mm diameter cable / IP67
	Flame proof, M20X1.5(F) one side / blind plug other side / stainless steel material / 6-8mm diameter cable / IP67

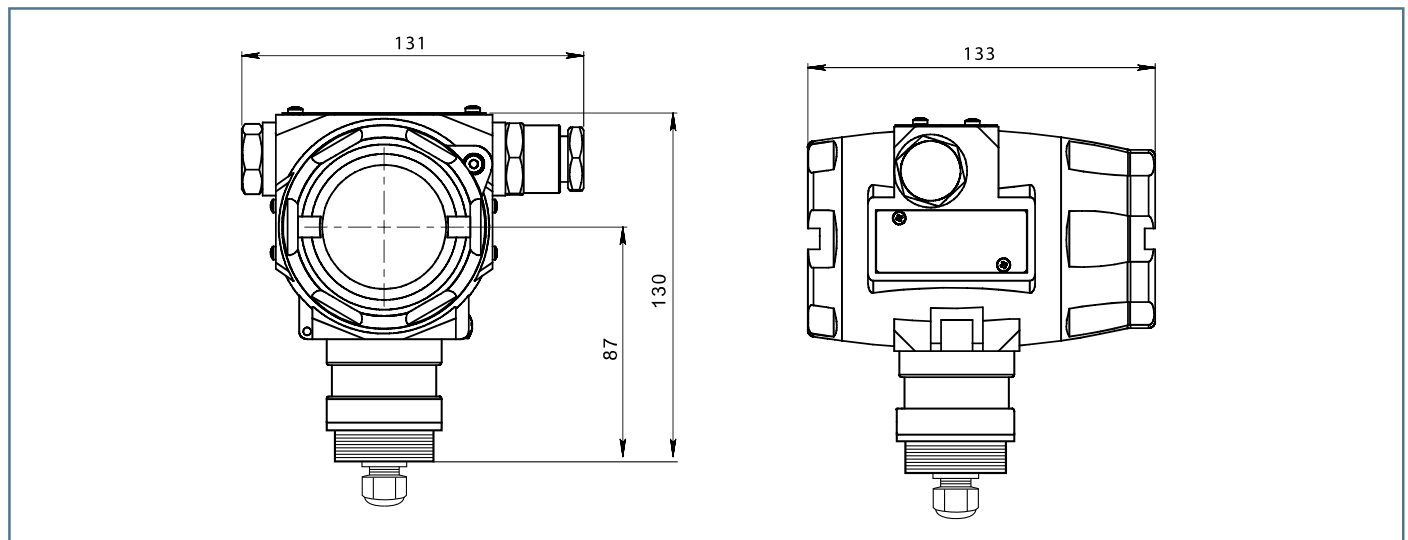


Transmission Module

Item	Description
Output signal	4-20mA two wire power supply: 10.5 - 55VDC
	4-20mA + HART two wire power supply: 16.5 - 55VDC
Display	Without display
	With LCD display



Drawing Dimension



ORDERING

Part Number	Input	Material	Output
0-14'	191-1001-A113302F	PVC	4-20mA
0-14'	191-1001-B113302F	PP	4-20mA
0-14'	191-1001-E113302F	PVDF	4-20mA