

Features

- ✔ PTFE Teflon® Bonded Diaphragm
- ✔ Glass Filled PP Bonnet
- ✔ PVC | PP | PVDF Body
- ✔ ½" NPT Process Connection

Easy to Mount Gauges

- ✔ No Special Equipment is Required.
- ✔ Perfect Mate for Truflo OBS Plastic Gauges

Perfect for Instrumentation Protection

- ✔ Eliminates Sediment Build-Up in Gauges
- ✔ Available in Different Colors -Personalize your process skid or chemical application
- ✔ FPM or PTFE bonded FPM dished diaphragm for High Chemical Resistance and Sensitivity

Heavy Duty Design for Safety

- ✔ Small Footprint
- ✔ Heavy Wall Connection Ports-Eliminates need for external bushing

Truflo GI Series: Flexible Gauge Isolators for Corrosive Environments

Truflo GI Series Gauge Isolators allow pressure gauges or any other pressure instrument to be used in corrosive services. The upper chamber (gauge side) is filled with a stable fluid such as glycerin or silicone.

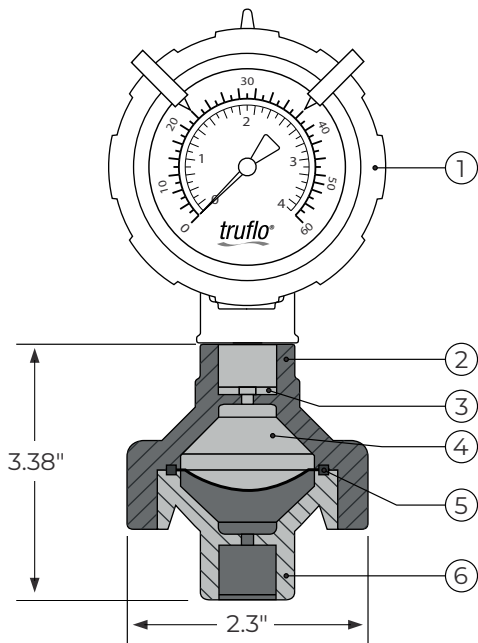
A Teflon® bonded diaphragm separates it from the lower chamber which receives the media under pressure. Customers can easily fill isolators and install their own gauges, ensuring flexible and customizable application across various industrial settings.

PVC

PP

PVDF

RoHS Compliant CE



No.	Part	Materials
1	Pressure Gauge	PP 316 SS
2	Bonnet	PP PVDF
3	O-Ring	FPM-G-Thread Only
4	Liquid Fill	Glycerin Silicone
5	Diaphragm	PTFE Teflon® Bonded
6	Lower Chamber	PVC PP PVDF

Optional Gauges

Truflo offers the gauges listed below mounted to isolator and pre-filled with glycerin, silicone or special fluid for chlorine applications. Truflo gauges have a PP plastic housing and the dials and cases are filled with either glycerin or silicone for corrosion resistance and dampening.

Truflo GI gauge isolators are not recommended for vacuum applications.

Other Options

Flanged inlet connections

Working Pressure (Psi) - Non Shock

Material	10 – 20°C 50 – 68°F	30°C 86°F	40°C 104°F	50°C 122°F	60°C 140°F	70°C 158°F	80°C 176°F	90°C 194°F	100°C 212°F	120°C 248°F
PVC	150	100	80	45	15	-	-	-	-	-
PP	150	125	100	80	65	45	-	-	-	-
PVDF	150	150	150	125	105	85	70	60	45	30

Temperature Ranges : PVC 0 to 60°C (32 to 140°F) | PP 10 to 80°C (50 to 176°F) | PVDF -30 to 120°C (-22 to 248°F)

Model Selection

Gauge Isolators	GI	PP	F
Body Material	P – PVC	PP – PP	PF – PVDF
Instrument Connection	(F) FNPT (FL) ANSI 150		
Instrument Type	(G6) 2½" Gauge 0-60psi (G10) 2½" Gauge 0-100psi (G16) 2½" Gauge 0-160 psi (G64) 4½" Gauge 0-60psi (G104) 4½" Gauge 0-100psi (G164) 4½" Gauge 0-160psi		