

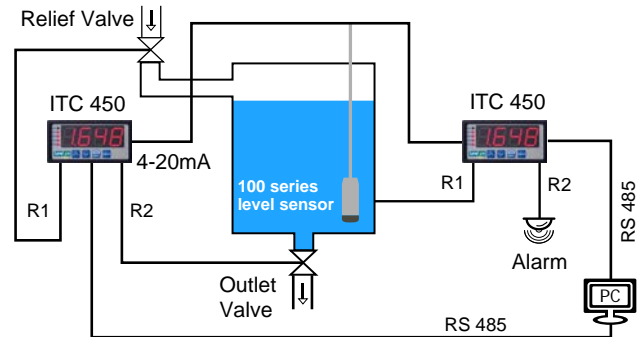
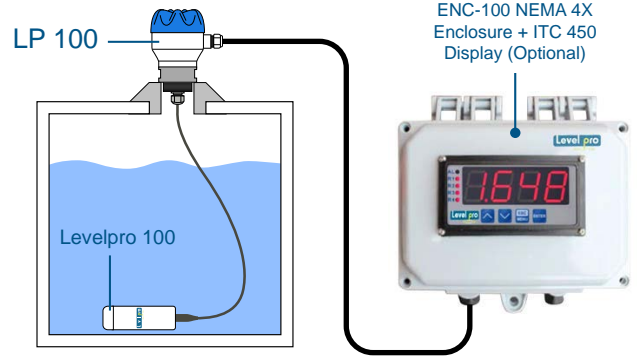
- Super Bright LED Display
- NEMA 4X Enclosure
- Security Protection



Super 'Sunbright'
LED Technology



Typical Application



Level Control

FEATURES

- Large Bright LED Display
- Deceleration of Relay Outputs
- Adjustable Display Brightness
- 4 - 20mA + 2 Relays Output
- 4-digit LED Display
- Sensor Power Supply | 24VDC
- Output RS-485 | Modbus RTU
- Easy to Program
- 4 Configurable Relays | (5 Amp)
- Standard Dimensions for Retrofit
- NEMA 4X Front Plate

SPECIFICATIONS

Power supply Power consumption	Standard : 85 ... 260VAC Max. 4.5VA or W
Input Signal	Standard 0/4-20mA
Contact	2 SPST Relays 4 SPST Relays
Switching Voltage	Max. 250VAC
Switching Current	Max. 5AMP
DC Output	24VDC to Sensor
Operating temp	-40°F - 122°F -40 - 50°C
Storage temp	-40°F - 122°F -40 - 50°C
Operating temp	-40°C - +50°C
Electrical safety	CSA
Display	4-digit LED display Red 4 x 20 mm High
Range of indication	-999 - 9999
Accuracy (25°C)	± 0.1 % FSO
Housing dimensions	96 x 48 x 98 mm
Housing	Panel Mount
Housing material	NORYL - GFN2S E1

ORDERING

Part Number	Input	Output
ITC 450-1121	4-20mA	4 Relay
ITC 450-1129	4-20mA	4-20mA + 2 Relay