

The **Levelpro LP250DM** was designed to measure Pressure or Level within industry's most demanding corrosive process applications. When measuring pressure It can be mounted vertically or horizontally, and can easily be installed into a threaded process pipe tee fitting. For level measurement applications the **LP250DM** can simply be mounted into the side of the tank utilizing a NPT | G type bulkhead or weld-o-let fitting.

The **LP250DM** implements a state of the art ceramic piezio-resistive measuring principle that changes the physical pressure which equates to no more than a few microns into a linear electronic signal that can be measured.

This minimal deformation equates to negligible material strain of the ceramic electronic pressure-sensing diaphragm resulting in high resistance to alternating loads and long-term durability...exactly what is required for tough industrial applications.



Typical Applications

- Chemicals | Acids | Bases
- Tank Level
- Industrial Process Piping
- Vapor Pressure
- Leak Detection Equipment
- Environmental Protection
- Scrubbers Filter | Strainer Notification
- Leachate Collection
- Weir Flow
- Scrubbers

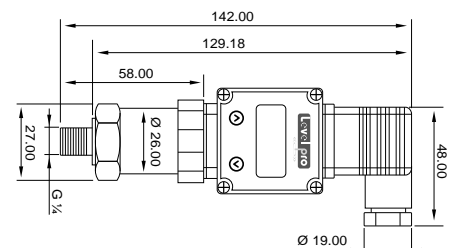
Features

- 316 SST Body
- Pressure Range | 0 - 150 psi
- Output | 4-20mA | 2 Wire Loop Powered
- NPT | G Connection
- Ceramic Sensing Diaphragm
- Plug & Play Design
- High Accuracy
- No Programming Required
- Temperature Compensated
- Excellent Chemical Resistance

SPECIFICATIONS

Range	0 - 150 psi Other Ranges Available
Medium	Gas & Liquid
Accuracy	0.5% F.S
Working pressure	18 - 36V DC
Output signal	4-20mA two-wire
Medium temp	-30 – 85°C
Environment temp	-30 – 80°C
Store temp	-30 – 80°C
Temp. effect	±0.02% FS
Pressure connection	1/4" NPT
Connection	DIN Hirschmann Connector

Dimensions (MM)

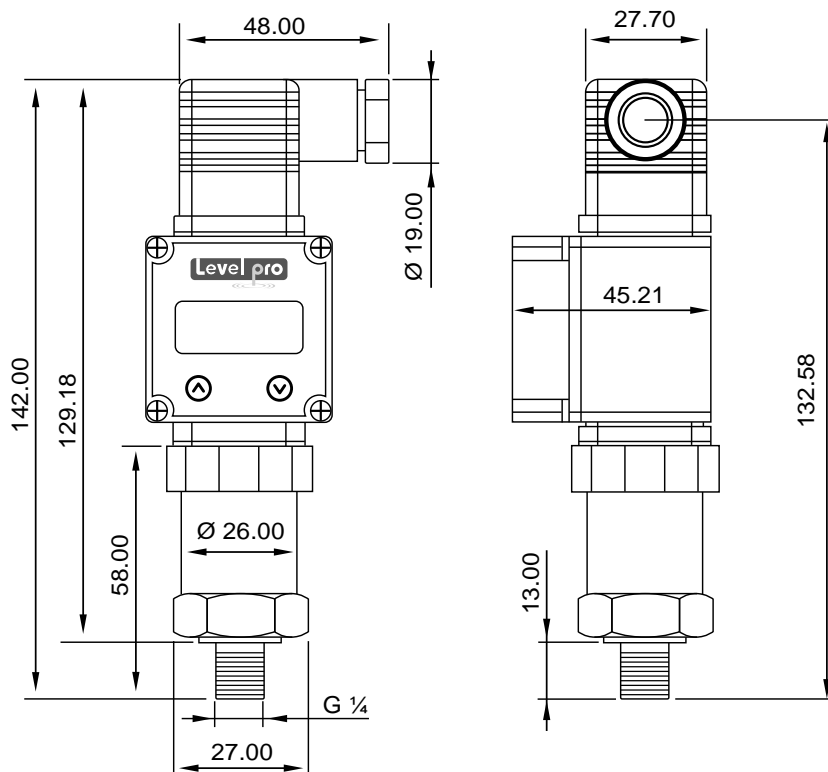




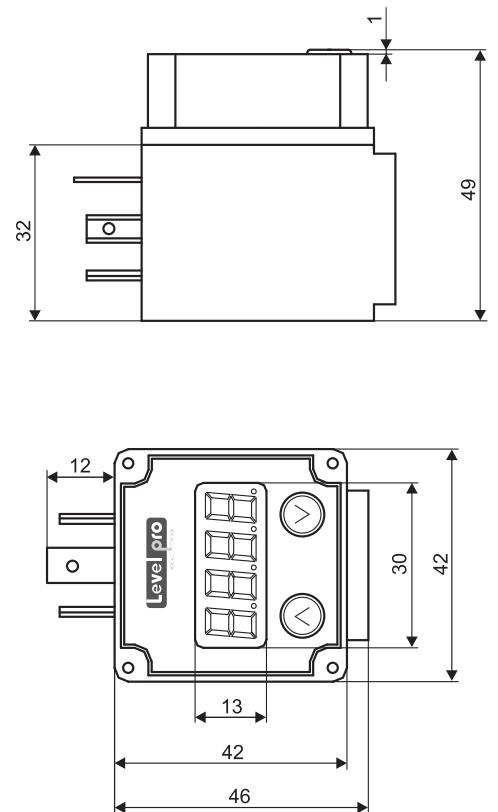
Features

- Local Display of Measured Value
- Direct Mounting
- 4-digit Bright LED
- Easy 2 Button Programming
- Relay Output
- Powered from Current Loop / 4-20mA

Dimensional Drawing

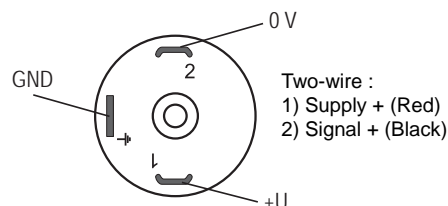


Dimensional Drawing



Electrical Connection

Positive pole (+ U) is connected to pin No.1, negative pole (0V) is connected to pin No. 2. The plug-on display is powered by the current 4-20mA loop, no additional auxiliary power is required.



ORDERING

Size	Part Number	Material
1/4" NPT	LP250DM	316SS