

- ZIRCONIUM CERAMIC SHAFT | BEARINGS
- ALL PLASTIC CONSTRUCTION
- RETROFITS into SIGNET® TYPE FITTINGS

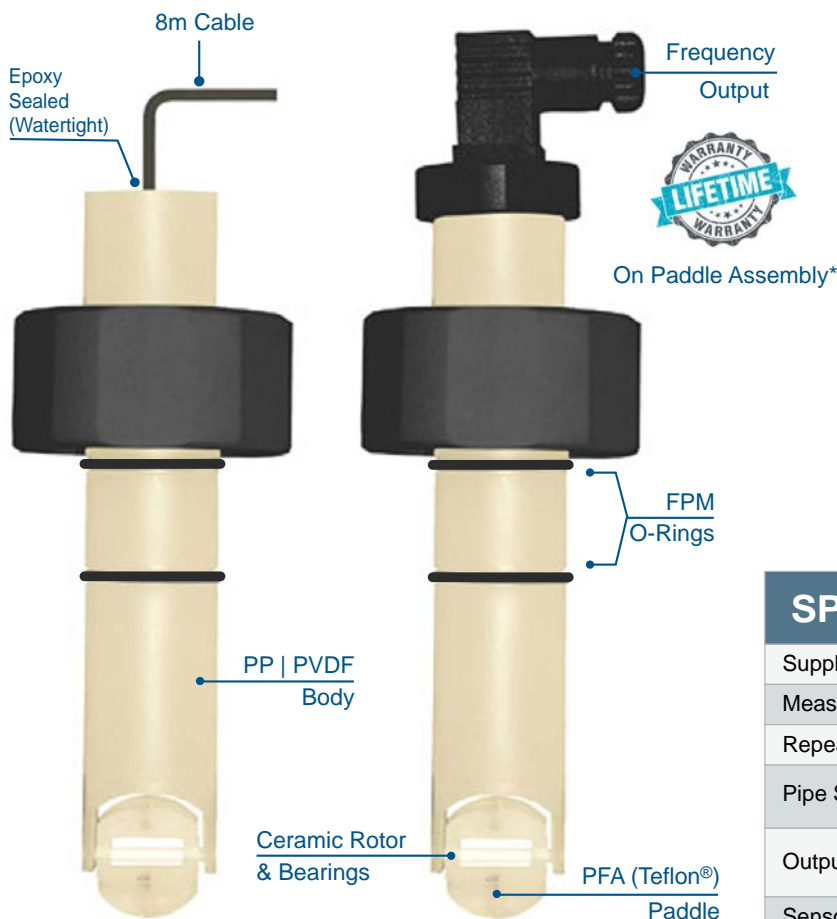
PP

PVDF

PFA

RoHS
 Compliant

SERIES : LS
CONNECTION : 1 ¼" G Type Thread



FEATURES

- Excellent Chemical Resistance
- Size Range ½ - 24"
- Easy To Install
- Quick Disconnect DIN Connection
- High Accuracy | ±0.75% of Full Scale
- Extra Long Lasting PFA Teflon® PADDLE
- NEMA 4X (IP65) or NEMA 6 (IP68) Rating
- Zirconium Ceramic Shaft & Bearings
- Excellent Double O-Ring Seal
- High Pressure Rating | Up to 200 psi
- Retrofits into Signet® Type Fitting

SPECIFICATIONS

Supply Voltage	5-24VDC
Measuring Accuracy	±0.75% of Full Scale
Repeatability	±0.5% of Full Scale
Pipe Size	0.5 to 4 inch (DN15 to DN100) 6 to 24 inch (DN150 to SN600)
Output Frequency	60.5 Hz per m/s nominal, 18.45 Hz per ft/s nominal
Sensor Body Material	PVDF PP
Rotor Material	PFA (TEFLON®)
Shaft and Bearings Material	Zirconium Ceramic (ZrO ₂)
O-Rings Materials	FKM (Viton®) EPDM (Opt)
Electrical Connection	DIN Mini-Connector 43650- A (IP65) Electrical Cable (IP68)
Cable Type	3 conductor + Shield 26AWG (PVC)
Reverse Voltage Protection	Included As Standard
Viscosity Range	0.5 to 20 Centistoke (cst)
Maximum Particle Size	<10% with Particle Size (<0.5mm cross section or length)
Maximum Operating Temperature	PP (-4F - 185F) PVDF (-40F - 240F)
Pressure* Temperature	PVDF 200 psi @ (-22 - 86F) 25 psi @ 185F PP 180 psi (-20 -85F) 25 psi @180F
Storage Condition	PP PVDF Body (-30 to 90°C)
CEEMC Certification	EN 55022:1998

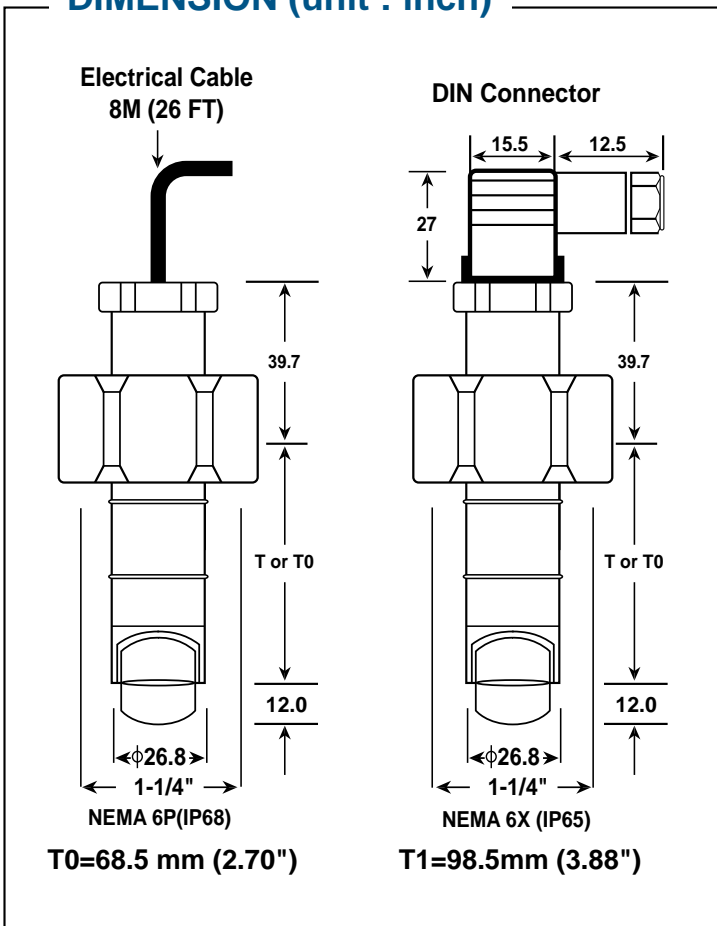
* Consult Factory for Details

LS

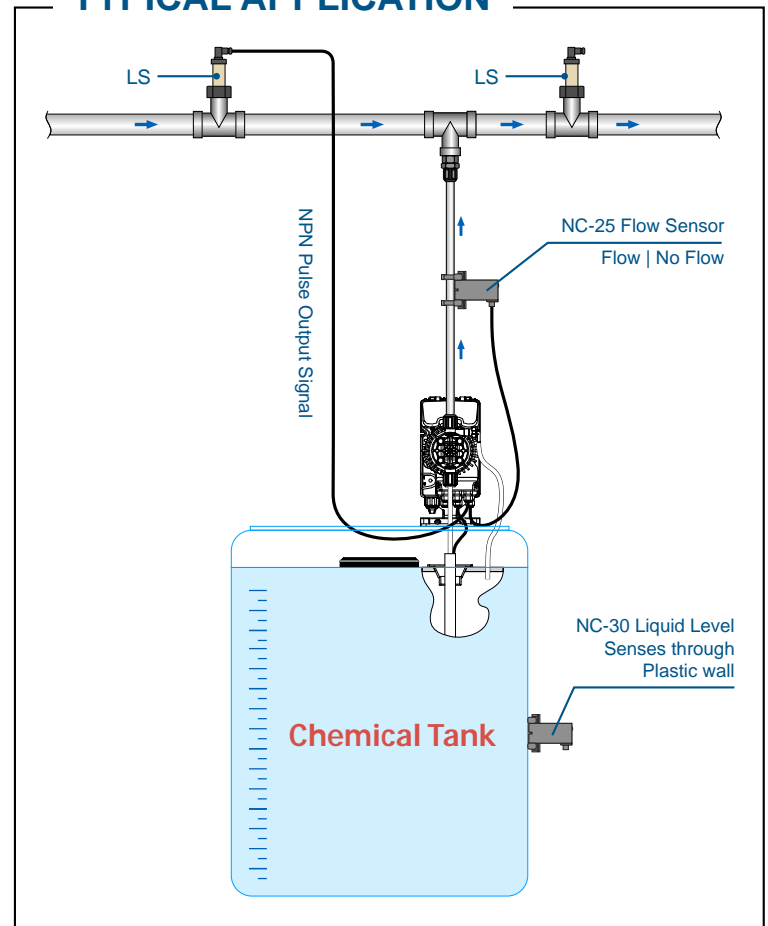
	Sensor Body Material		Sensor Length-Pipe Diameter		Electrical Connection Protection Class		O-rings
3	PP	0	(½" - 4")	D	DIN mini-connection 43650 - A/IP65	F	FKM (Viton®)*
5	PVDF	1	(6" - 24)	E	Electrical cable 8 Meters - IP68	P	EPDM

* FKM is Standard

DIMENSION (unit : inch)



TYPICAL APPLICATION



TERMINAL CONNECTIONS

