

- One Piece | Double-Sided Design
- No Filling or Assembly Required
- Adjustable Range Markers

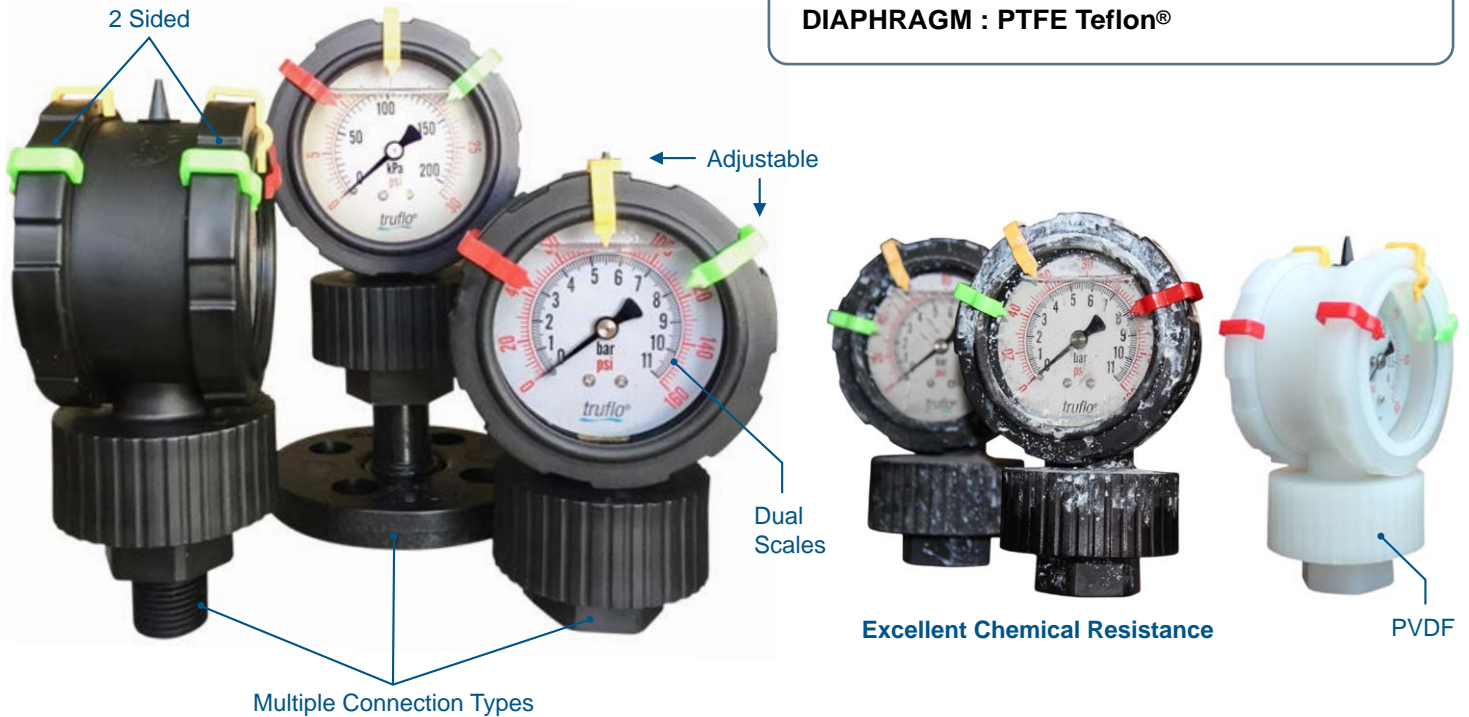
PVC

CPVC

PP

PVDF

**SERIES : 2VU**  
**CONNECTION : ½" (M) | (F) NPT | G | Flange**  
**DIAPHRAGM : PTFE Teflon®**

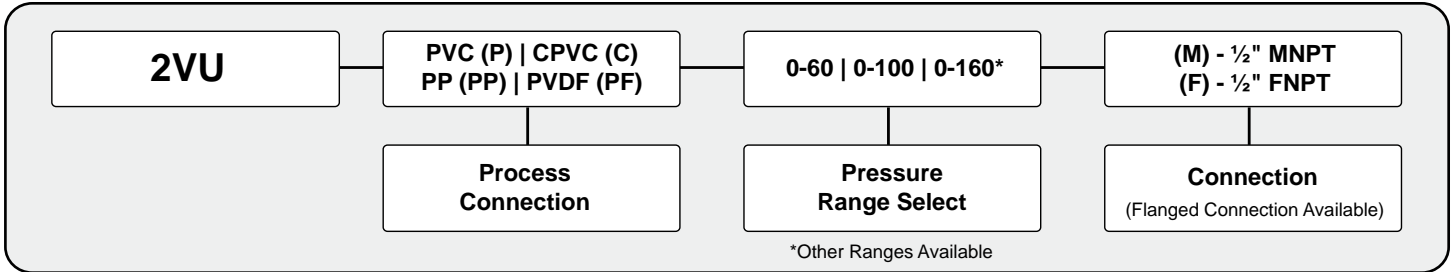


FEATURES
● Industry's First All Plastic Double Sided Gauge
● Heavy Duty Rugged Design
● Completely Corrosion Resistant
● Designed to Act as Visual Pressure Alert
● Extra Large Color Display
● Reduces Pressure Surges caused by Water Hammer   Metering Pump Pulsations
● Highest Accuracy in Industry   ±1.5%
● Factory Filled   Glycerin or Silicone
● Dual Scale   psi/kPA   psi/bar
● One-Piece Molded Design
● Suitable for Corrosive Media + Slurries

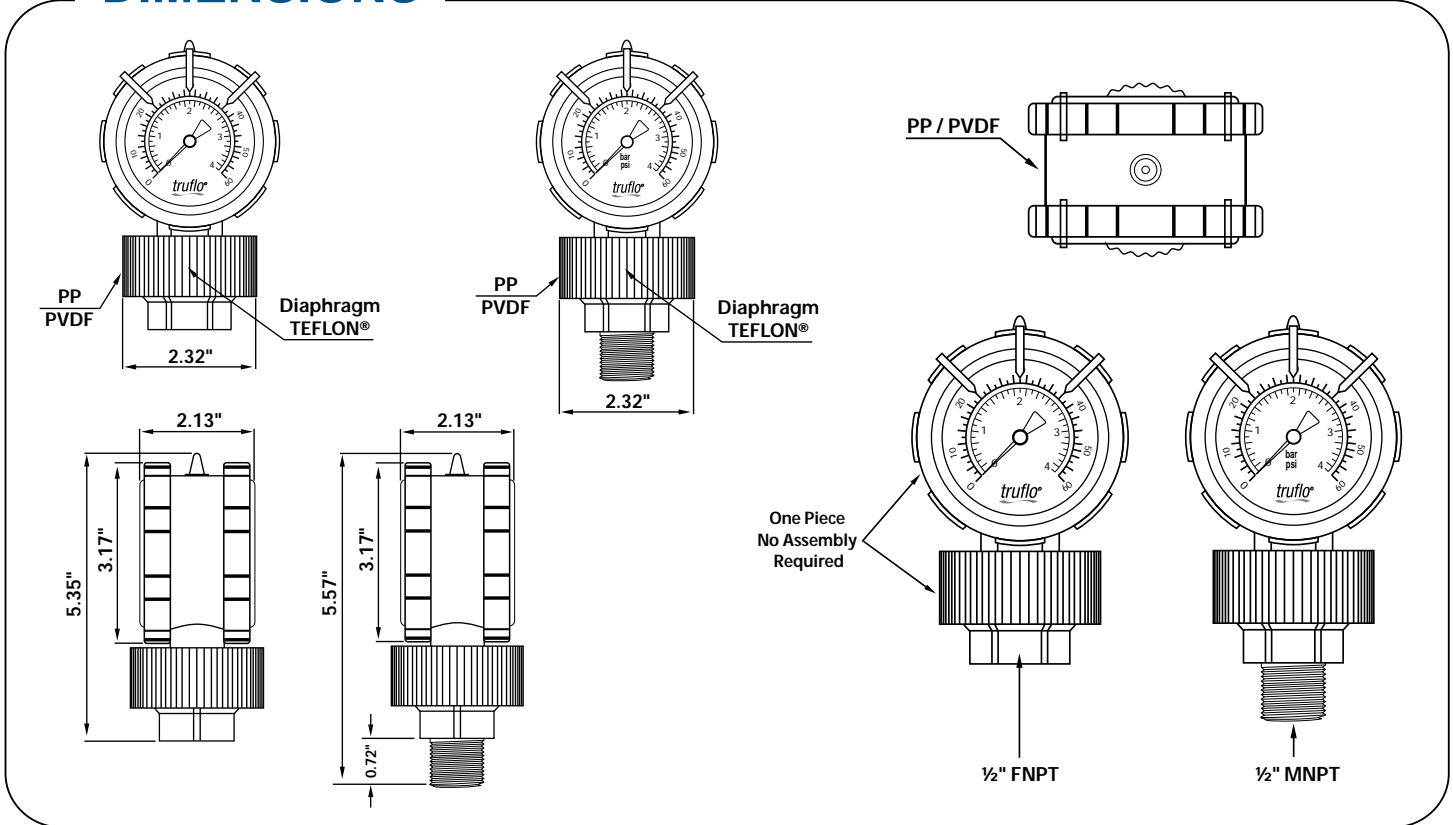
SPECIFICATIONS	
Dial Diameter	Large 2 ½" Face   Big Numbers   Clear Markers
Mounting	Bottom   ½" Connection
Housing	PVDF or PP   PTFE Teflon® Diaphragm   One Piece Molded Design   No Assembly or Filling Required
Lens	High Impact Polycarbonate
Dial	Red & Black Scale White Background, dial arc 270°
Measuring Principle	Bourdon Tube Teflon® Diaphragm
Movement	316 SS
Gauge	3 Adjustable Plastic Markers   Pressure Range Pointers fitted on the Bezel
Connection	½" NPT M   F   G Type   Flange
Filling	Glycerin   Silicone Optional
Accuracy	±1.5%
Operating temperature	PVC 140°F   CPVC 180°F   PP 170°F PVDF 195°F
Pressure Range*	Standard Ranges   0-60   0-100   0-160 psi (Second Scale: kPA) Other units available   bar   MPa /Other Scales Available - Consult Factory

\* (Non-Shock)

## HOW TO ORDER



## DIMENSIONS



## INSTALLATION

Do not tighten by grasping the case of the gauge as this may cause damage.

1. Before installing the 2VU Series pressure gauge, ensure attention is given to the Process Liquid, Chemical Compatibility, Temperature, Vibration, Pressure Spikes and other climatic and application related conditions that may adversely affect the performance.
2. The user shall ensure that the correct gauge pressure range and the correct materials of construction are selected.

