

- Corrosion Resistant
- No Filling Required
- High Accuracy

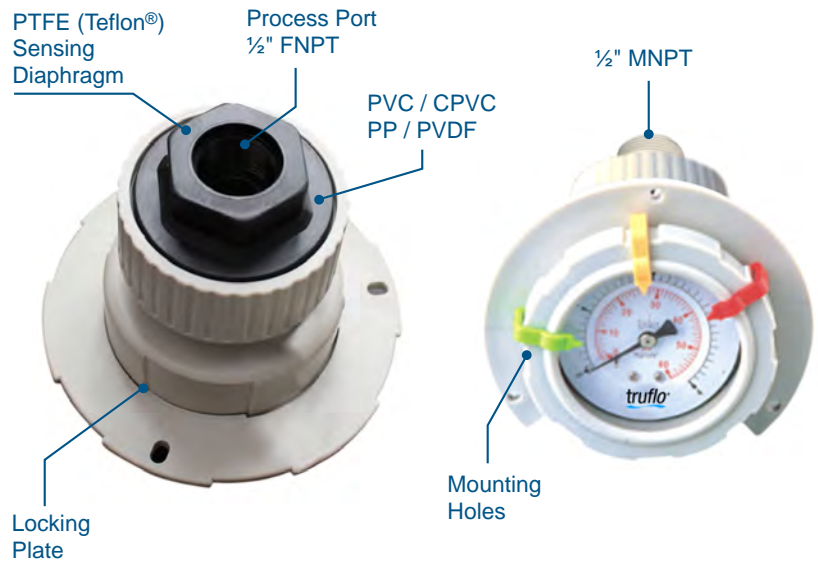
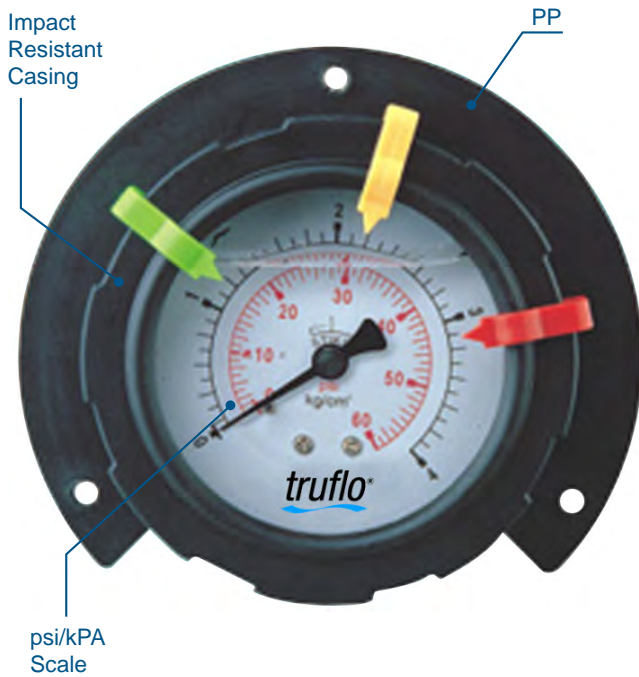
PVC

CPVC

PP

PVDF

**SERIES : OBS-A**  
**CONNECTION : ½" (M) | (F) NPT | G | Flange**  
**DIAPHRAGM : PTFE Teflon®**



### FEATURES

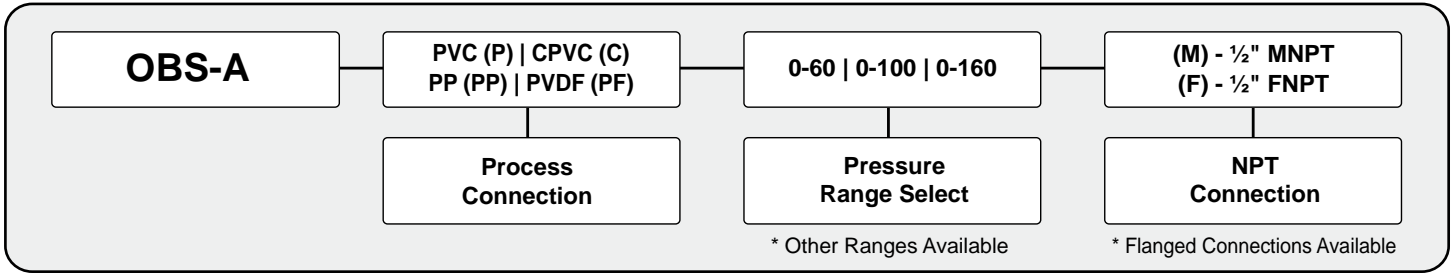
- All Plastic Gauge & Isolator | Filled
- Heavy Duty Design | Simple to Install
- Completely Corrosion Resistant
- Range Markers Act as Visual Pressure Alert
- Extra Large Color Display
- Reduces Pressure Surges caused by Water Hammer | Metering Pump Pulsations
- Highest Accuracy in Industry | ±1.5%
- Glycerin or Silicone (Opt)
- No Filling Required
- One-Piece Molded Design | No Assembly
- Suitable for Corrosive Media | Slurries

### SPECIFICATIONS

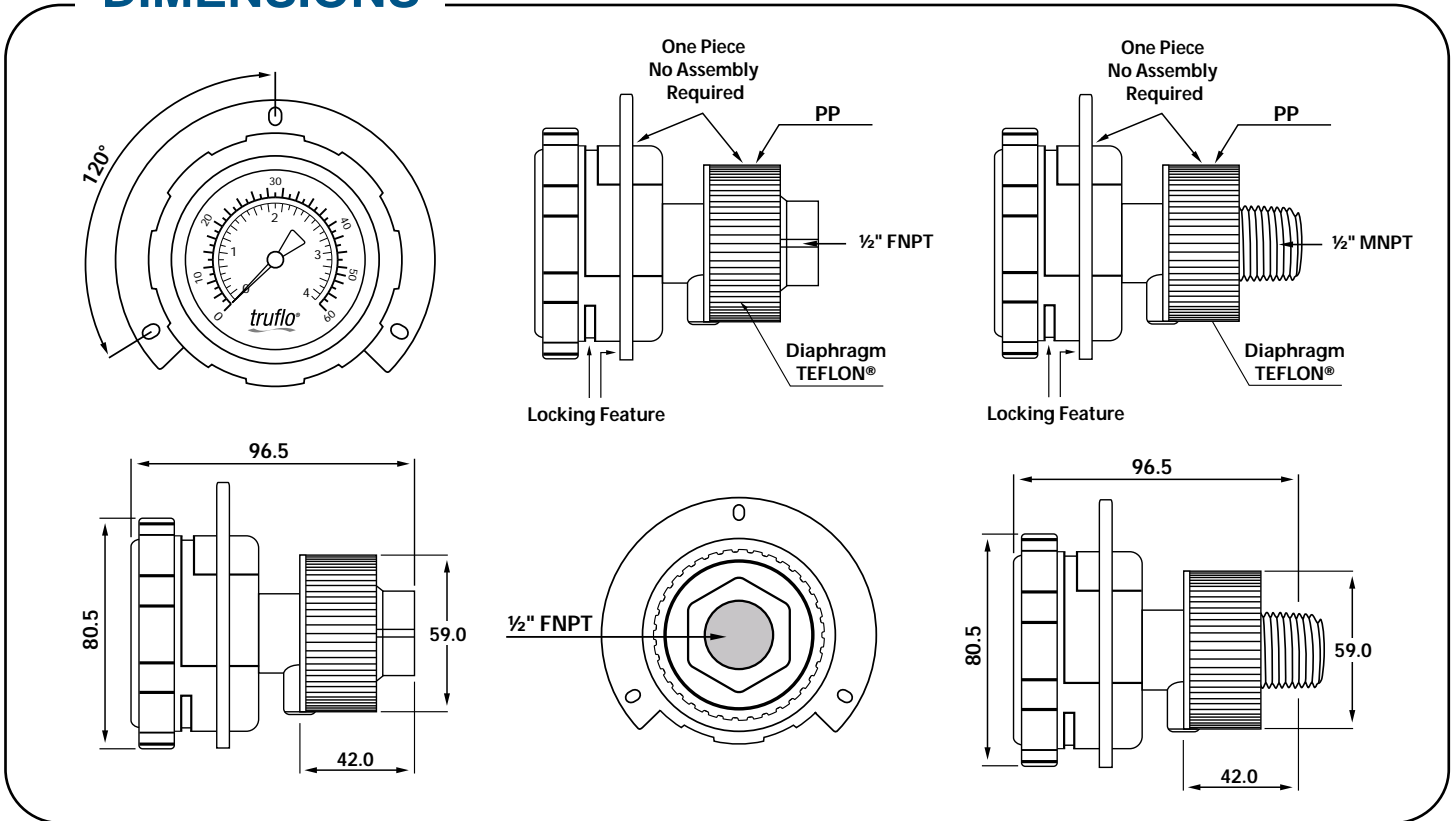
Dial Diameter	Large 2½" Face   Big Numbers   Clear Markers
Mounting	Direct Mount   Panel Mount
Housing	PP   Teflon® Diaphragm - One Piece Molded Design   (No Assembly   Filling Required)
Lens	High Impact Polycarbonate
Dial	Red & Black Scale White Background   dial arc 270°
Measuring Principle	Bourdon Tube   SS316 Diaphragm   PTFE Teflon®
Movement	SS316   Brass
Gauge	Red   Yellow   Green   Movable Plastic Pressure Range Pointers Fitted on the Bezel
Connection	½" (M)   (F) NPT   G Type   Flange
Filling	Glycerin   Silicone (Optional)
Accuracy	±1.5% F.S.
Operating temperature	PVC - 140°F   CPVC - 180°F   PP - 170°F   PVDF - 195°F
Pressure Range*	Standard Ranges   0-60   0-100   0-160 psi (Second Scale: kPA) Other units available   bar   MPa

\* (Non-Shock)

## HOW TO ORDER



## DIMENSIONS



## INSTALLATION

Do not tighten by grasping the case of the gauge as this may cause damage.

1. Before installing the OBS Series pressure gauge, ensure attention is given to the Process Liquid, Chemical Compatibility, Temperature, Vibration, Pressure Spikes and other climatic and application conditions that may adversely affect the performance.
2. The user shall ensure that the correct gauge pressure range and the correct materials of construction are selected.

