

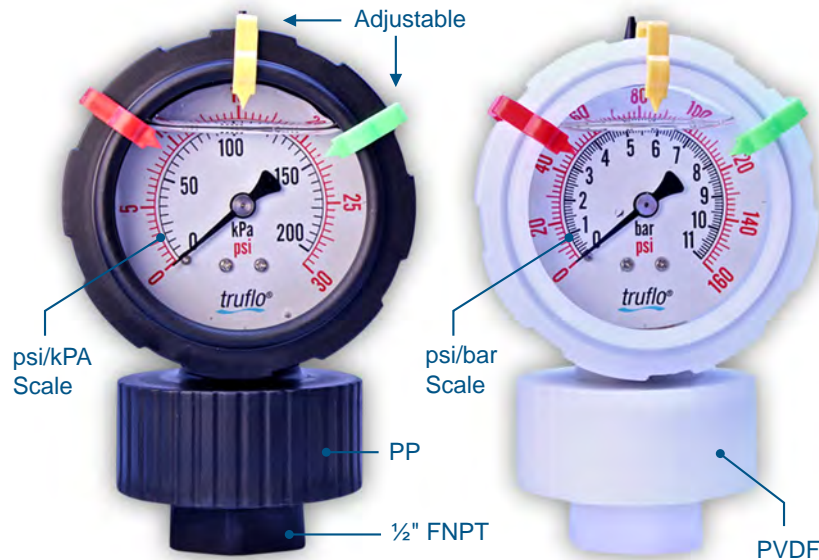
- All Plastic Design
- No Filling Required
- Excellent Chemical Resistance
- Pressure Range Markers

PVC

PP

PVDF

SERIES : OBS
CONNECTION : ½" (M) | (F) NPT | G | Flange
DIAPHRAGM : PTFE Teflon®



All Plastic Design / Gauge + Isolator

FEATURES

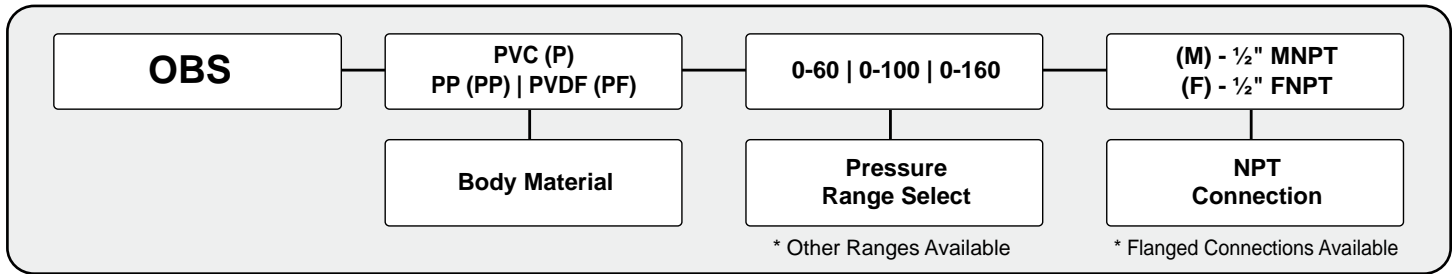
- All Plastic | Gauge & Isolator | Filled
- Heavy Duty Design | Simple to Install
- Completely Corrosion Resistant
- Designed to Act as Visual Pressure Alert for Bag | Filter Change-Out
- Extra Large Color Display
- Reduces Pressure Surges caused by Water Hammer | Metering Pump Pulsations
- Highest Accuracy in Industry | ±1.5%
- No Filling Required
- Glycerin Fill or Silicone (Opt)
- One-Piece Molded Design (No Assembly)
- Suitable for Corrosive Media + Slurries

SPECIFICATIONS

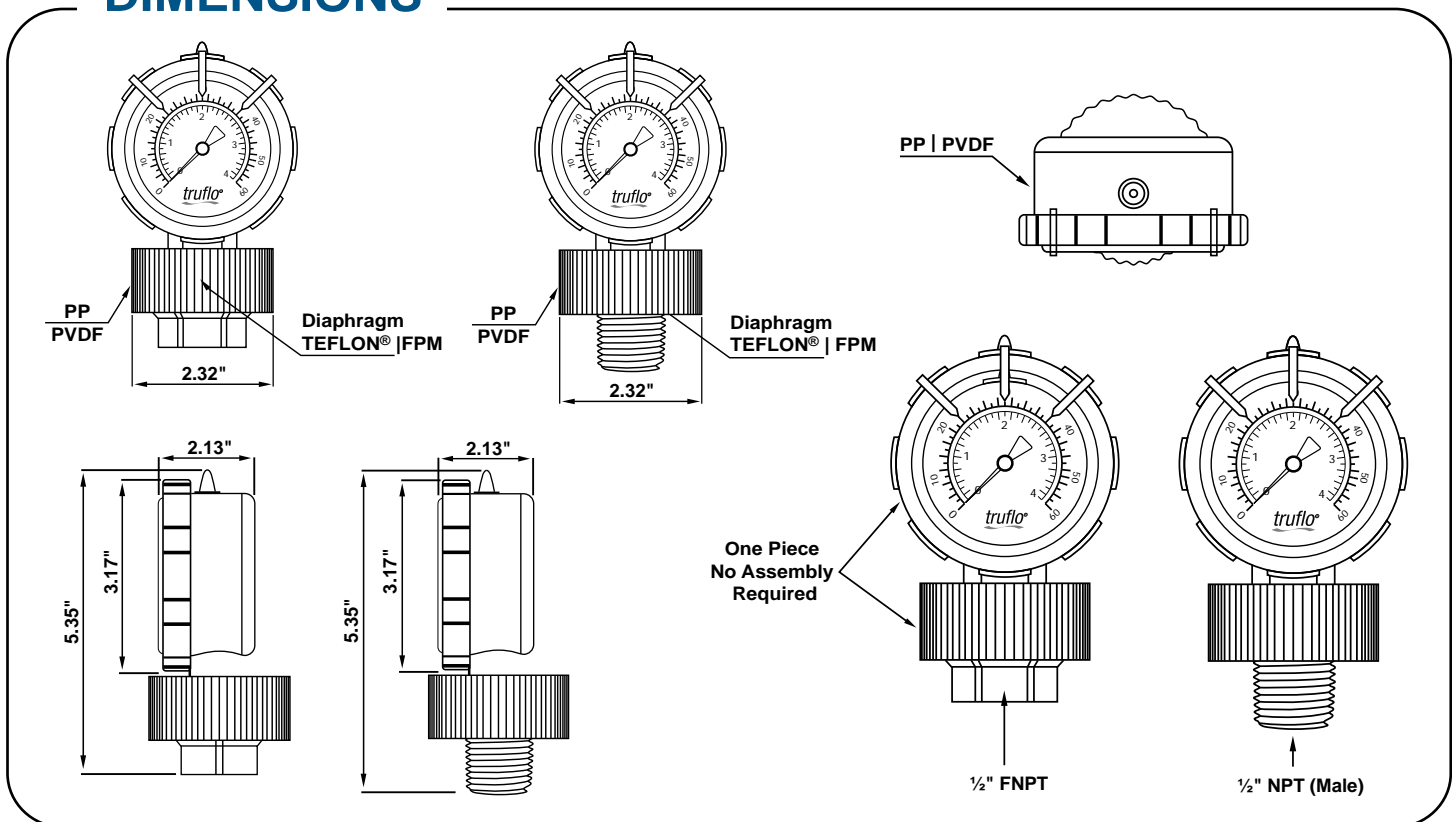
Dial Diameter	Large 2½" Face Big Numbers Clear Markers
Mounting	Direct Mount Bottom Connection ½"
Housing	PVC CPVC PP PVDF PTFE Teflon® Diaphragm / One Piece Molded Design
Lens	High Impact Polycarbonate
Dial	Red & Black Scale White Background, dial arc 270°
Measuring Principle	Bourdon Tube Diaphragm Teflon® FPM
Movement	SS316 Brass (Non Wetted)
Gauge	Red Yellow Green Movable Plastic Pressure Pressure Markers
Connection	½" (M) (F) NPT G Type Flange
Filling	Glycerin or Silicone (Opt)
Accuracy	±1.5% F.S.
Operating Temperature	PVC - 140°F PP - 175°F PVDF - 225°F
Pressure Range	Standard Ranges 0-60 0-100 0-160 psi (Second Scale: kPA) Other units available bar MPa Other Scales Available - Consult Factory

*(Non-Shock)

HOW TO ORDER



DIMENSIONS



INSTALLATION

Do not tighten by grasping the case of the gauge as this may cause damage. Always Pressure Test Connections for Leaks with Water Prior to Use on Chemical Service

- Before installing the OBS Series pressure gauge, ensure attention is given to the Process Liquid, Chemical Compatibility, Temperature, Vibration, Pressure Spikes, and other climatic and application conditions that may adversely affect the performance.
- The user shall ensure that the correct gauge pressure range and the correct materials of construction are selected.

