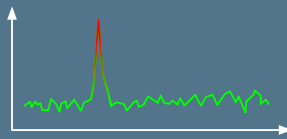


# OBS-TT SERIES

## Plastic 'Tell-Tale' Gauge

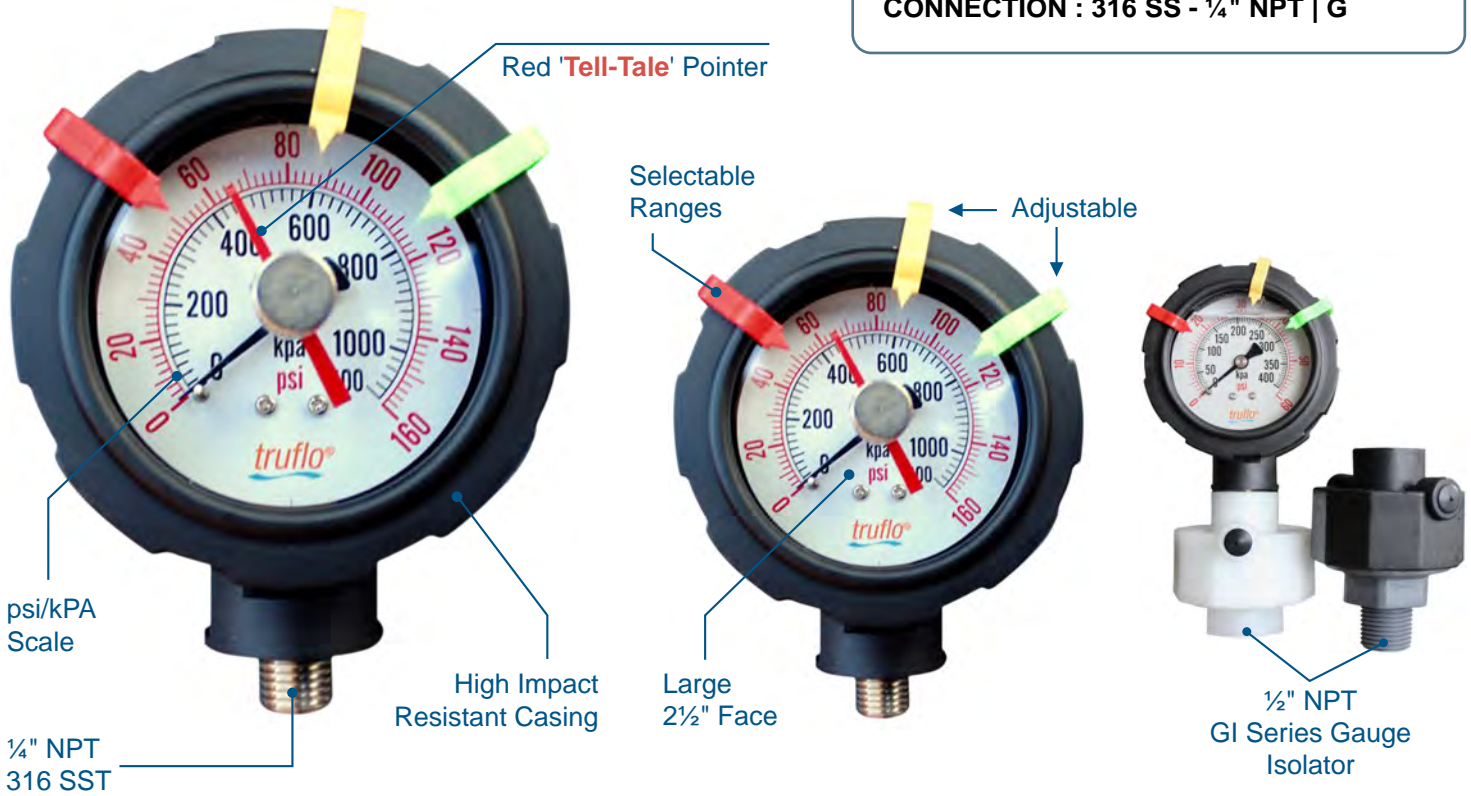


- Upset Pressure Notification
- Registers Pressure Spikes
- Suitable for Corrosive Environments

PP

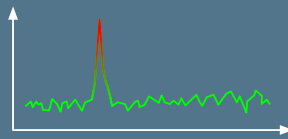
316 SS

**SERIES : OBS-TT**  
**CONNECTION : 316 SS - 1/4" NPT | G**

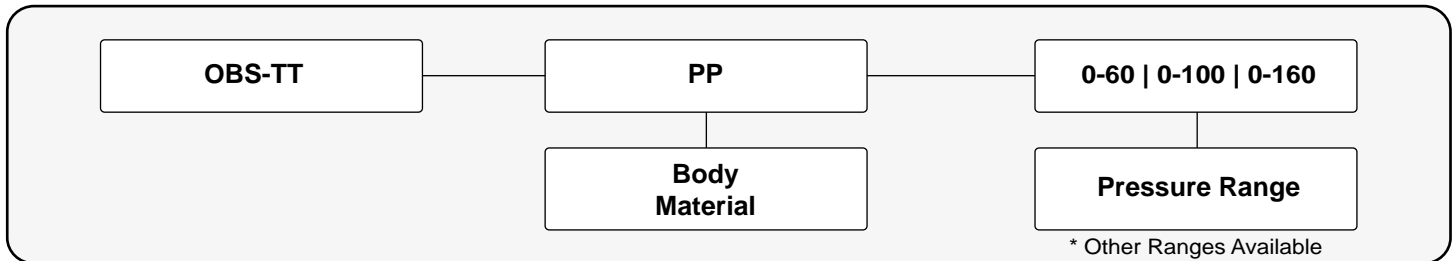


FEATURES
● Heavy Duty Enclosure
● Notification of Pressure Spikes
● Suitable for Corrosive Environments
● Records Pressure Surges
● Heavy Duty Design
● 3 Range Tabs   <b>Red</b>   <b>Yellow</b>   <b>Green</b>
● Extra Large Color Display
● High Accuracy   ±0.75 %
● Resettable
● High Impact Casing
● Dual Scale
● Simple to Install
● 316 SS 1/4" NPT Connection

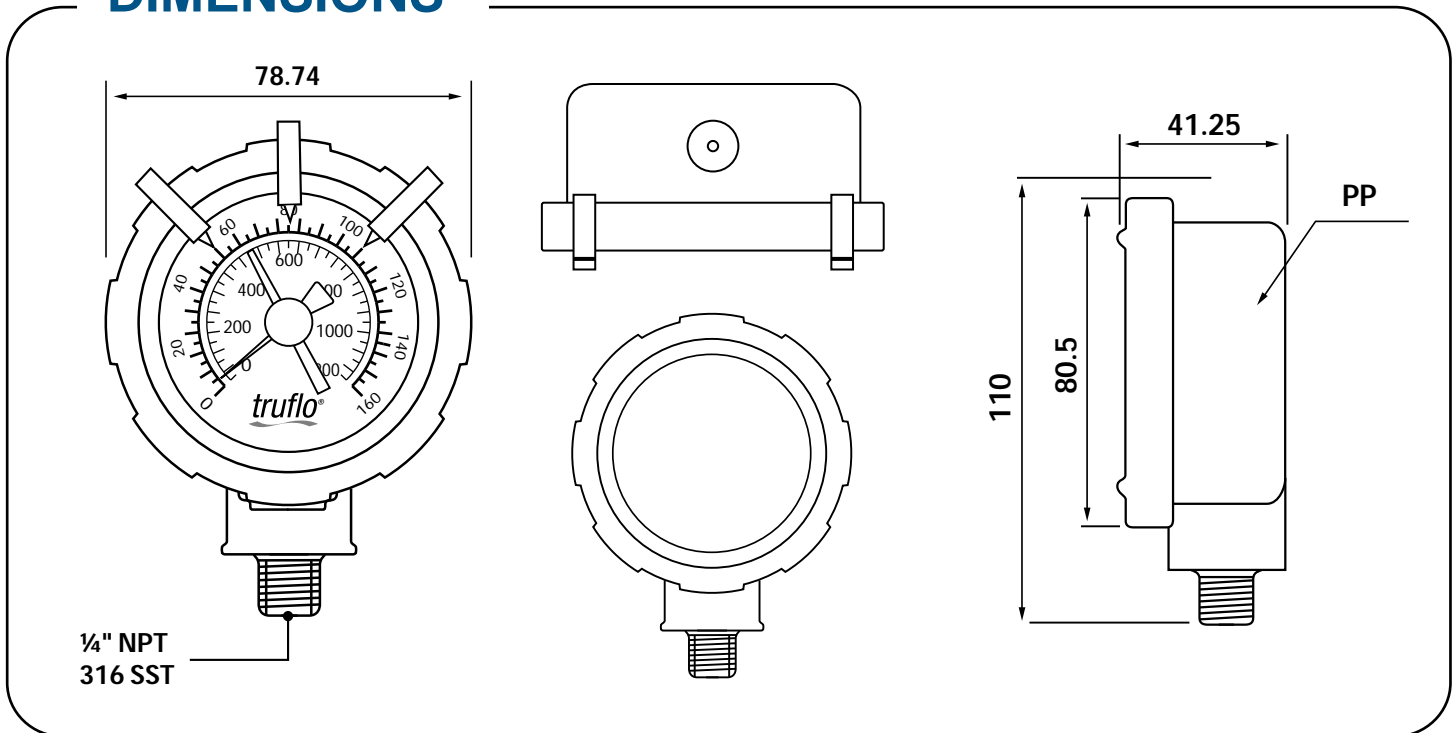
SPECIFICATIONS	
Dial Diameter	Large 2½" Face   Big Numbers   Clear Markers
Mounting	Direct Mount   Bottom Connection   (M) NPT   1/4"
Housing	Polypropylene
Lens	High Impact Polycarbonate
Dial	Red & Black Scale White Background   dial arc 270°
Measuring Principle	Bourdon Tube   SS316   Brass
Movement	SS316   Brass
Gauge	<b>Red</b>   <b>Yellow</b>   <b>Green</b>   Movable Plastic Markers Pressure Range Pointers Fitted on the Bezel
Connection	1/4" (M) NPT   G Type   316 SST
Filling	No Fill
Accuracy	±0.75% F.S.
Operating temperature	Max. Working Temp   PP - 180°F
Pressure Range	Standard Ranges   0-60   0-100   0-160 psi / kPA Other units available   bar   MPa   Other Scales Available - Consult Factory



## HOW TO ORDER



## DIMENSIONS



## Installation

Do not tighten by grasping the case of the gauge as this may cause damage.

1. Before installing the OBS Series pressure gauge, ensure attention is given to the Process Liquid, Chemical Compatibility, Temperature, Vibration, Pressure Spikes, and other climatic and application conditions that may adversely affect the performance.
2. The user shall ensure that the correct gauge pressure range and the correct materials of construction are selected.

