

- No Filling Required
- Suitable for Corrosive Environments
- Heavy Duty Design

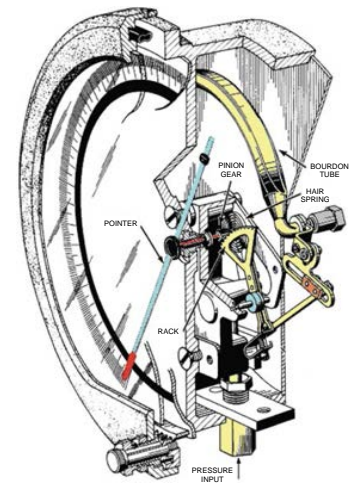
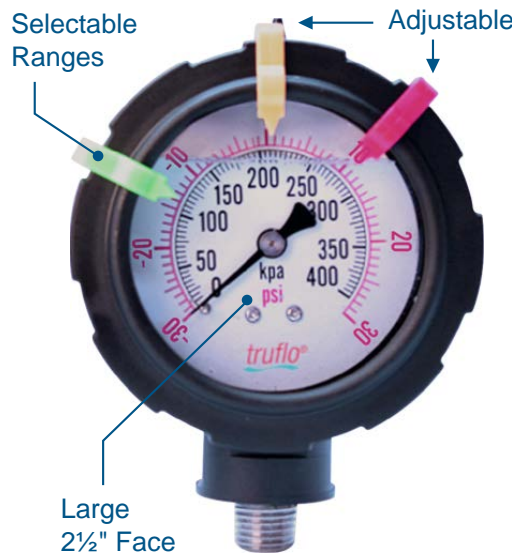
PP

316 SS



SERIES : OBS-V

CONNECTION : 316 SS - ¼" NPT | G



Internal Workings

### Displays Pressure & Vacuum

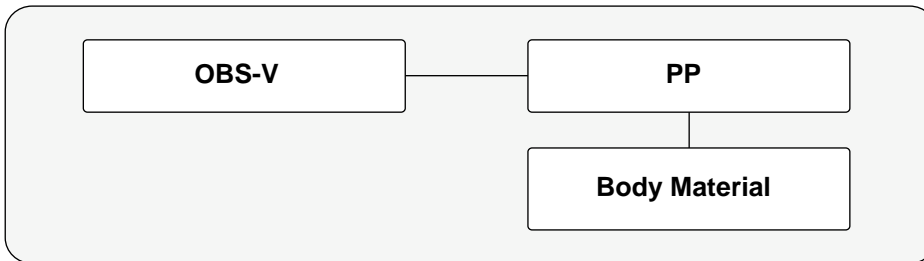
#### FEATURES

- Fit & Forget
- Suitable for Corrosive Environments
- Large 2½" Red | Black Face
- Dual Scale
- Heavy Duty Design
- 3 Range Tabs | Red | Yellow | Green
- Extra Large Color Display
- High Accuracy | ±0.75 %
- Factory Pre-Filled
- Glycerin (Std) | Silicone (Opt)
- High Impact Case Housing
- Visual Pressure Ranges

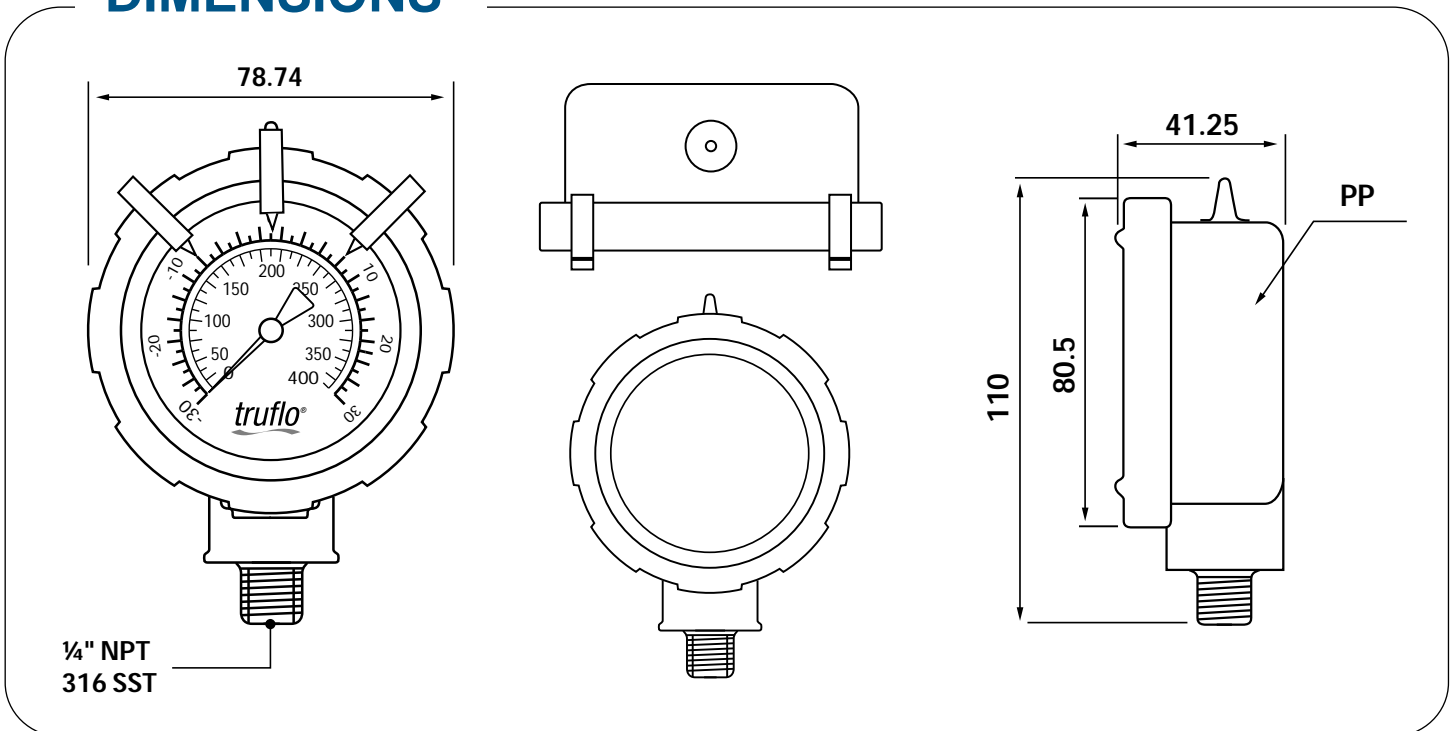
#### SPECIFICATIONS

Dial Diameter	Large 2½" Face   Big Numbers   Clear Markers
Mounting	Direct Mount   Bottom Connection
Housing	Polypropylene
Lens	High Impact Polycarbonate
Dial	Red & Black Scale White Background   dial arc 270°
Measuring Principle	Bourdon Tube   SS316   Brass
Movement	SS316   Brass
Gauge	Red   Yellow   Green   Movable Plastic Markers Pressure Range Pointers Fitted on the Bezel
Connection	¼" (M) NPT   G Type   316 SST
Filling	Glycerin (Std)   Silicon (Opt)
Accuracy	±0.75%
Operating Temperature	Max. Working Temp   PP - 180°F
Pressure Range	Standard Ranges   -30 + 30 Psi (Second Scale: kPA) Other Scales Available - Consult Factory

## HOW TO ORDER



## DIMENSIONS



## Installation

Do not tighten by grasping the case of the gauge as this may cause damage.

1. Before installing the OBS Series pressure gauge, ensure attention is given to the Process Liquid, Chemical Compatibility, Temperature, Vibration, Pressure Spikes, and other climatic and application conditions that may adversely affect the performance.
2. The user shall ensure that the correct gauge pressure range and the correct materials of construction are selected.

