

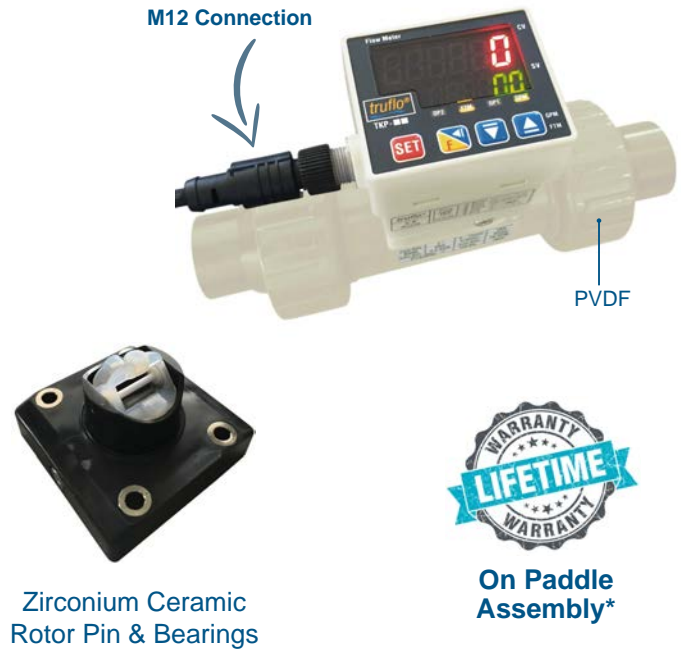
- Flow Rate & Totalizer
- Password Security Protected
- Zirconium Ceramic / Rotor / Bearings
- Programmable Relay Output
- Bright LED Display

PVC

PP

PVDF

**SERIES :** TKS | TKP | TKM  
**CONNECTION :** SOC | NPT | Flange | Butt | DIN  
**SEALS :** FPM | EPDM | FFKM



**On Paddle Assembly\***

Zirconium Ceramic Rotor Pin & Bearings

## FEATURES

- High Accuracy |  $\pm 1.0\%$  of Full Scale
- No K-Factor Programming
- Unit of Flow Measurement is Selectable LPM | GPM | KL
- Corrosion Resistant | PVC | PP | PVDF\*
- Low Cost Visual Indication
- Easy Installation | No Mounting Kits Required
- High Flow Range  
0.3m/s - 10m/s | 0.98 ft/s - 32.8 ft/s
- Easy to Program Relay Output
- Compact Design
- Large Bright LED Digital Display
- Horizontal | Vertical Installation
- Size Range 1/2" - 4"
- Low Pressure Drop
- NEMA 4X Enclosure
- Suitable for Corrosive Environments
- Password Protected Security
- True-Union Design 1/2" - 2" | Flanged 3" - 4"
- M12 Quick Disconnect | Optional

\* Note : CPVC Union Ends Available

## SPECIFICATIONS

<b>Fluid</b>	Water or Liquid Chemicals   Viscosity Range: 0.5-20 centistokes
<b>Accuracy</b>	$> \pm 1.0\%$ of F.S. @ 20°C (68°F)   Repeatability $\pm 0.5\%$ of F.S.
<b>Max Flow Velocity</b>	10 m/s max   32.8 ft/s max
<b>Min Flow</b>	0.3 m/s min.   0.98 ft/s min
<b>Operating Pressure</b>	150 psi Non-Shock
<b>Turndown</b>	33:1
<b>Response time</b>	Real Time
<b>Material of Construction</b>	<b>Paddle :</b> Tefzel® <b>Body :</b> PVC   PP   PVDF <b>Shaft :</b> Zirconium Ceramic <b>Seals :</b> FPM (Std)   EPDM   FFKM
<b>Operating Temperature</b>	PVC $< 60^\circ\text{C}$ (140°F)   PP $< 80^\circ\text{C}$ (176°F)   PVDF $< 110^\circ\text{C}$ (230°F)
<b>Electronics</b>	+ 50°C   (122F)
<b>Protection Class</b>	IP66   NEMA 4X
<b>Approval</b>	CE   Rohs
<b>Current Draw</b>	60mA Max
<b>Battery</b>	10-30VDC

\*Consult Factory for Details

**K-Factors**

Size	LPM	GPM
1/2"	124	471
3/4"	72	274
1"	54	171
1 1/2"	19	72
2"	10.3	39
3"	4.7	18
4"	2.1	8

**Standard Pipe Size**

Pipe Size O.D.	ANSI ID   Inches		DIN D mm	Flow Rate LPM   USGPM	
	Sch 40	Sch 80		0.3m/s min.	10m/s max.
DN15 (1/2")	0.62	0.55	Ø20	3.5 / 1.0	120 / 32
DN20 (3/4")	0.82	0.74	Ø25	5.0 / 1.5	170 / 45
DN25 (1")	1.00	0.96	Ø32	9.0 / 2.5	300 / 79
DN40 (1 1/2")	1.40	1.50	Ø50	25.0 / 6.5	850 / 225
DN50 (2")	2.00	1.90	Ø63	40.0 / 10.5	1350 / 357
DN 65 (2 1/2")	2.50	2.30	Ø75	60.0 / 16	1850 / 357
DN80 (3")	3.10	2.90	Ø78	90.0 / 24	2800 / 739
DN100 (4")	4.00	3.80	Ø96.50	125.0 / 33	4350 / 1149

**Flow Rate Min/Max**

**Pressure vs. Temperature | psi | Water | Non-Shock**

NOMINAL SIZE		PVC				PP				PVDF				
INCHES	mm	30° F	71° F	106° F	121° F	- 5° F	86° F	121° F	141° F	- 5° F	71° F	106° F	141° F	176° F
		70° F	105° F	120° F	140° F	85° F	120° F	140° F	175° F	70° F	105° F	140° F	175° F	210° F
1/2 - 2	15-50	150	120	100	30	150	110	90	55	150	125	100	85	55
2 - 1/2	65	150	120	100	NA	150	95	70	40	150	125	100	85	55
3	80	150	120	100	NA	150	95	70	40	150	125	100	85	60
4	100	150	120	100	NA	150	95	70	40	150	125	100	85	60

**PRODUCT SELECTION**

**EXAMPLE**

TKP ---- 25 ---- P ---- E ---- T ---- RS ---- M  
 (1) (2) (3) (4) (5) (6) (7)

**1. SERIES**

- a) TKS = Paddle Wheel Flow Meter with Relay + Pulse Output
- b) TKP = Paddle Wheel Flow Meter - (Flow Rate + Flow Total) Pulse Output
- c) TKM = Paddle Wheel Flow Meter - 4-20mA + (Flow Rate + Flow Total) Pulse Output

**2. PIPE SIZE**

15 / (1/2") / 20 / (3/4")  
 25 / (1") / 40 / (1 1/2")  
 50 / (2") / 80 / (3") / 100 / (4")

**3. BODY MATERIAL**

P = PVC  
 PP = Polypropylene  
 PF = PVDF \* CPVC Socket Unions Available

**4. SEALS\***

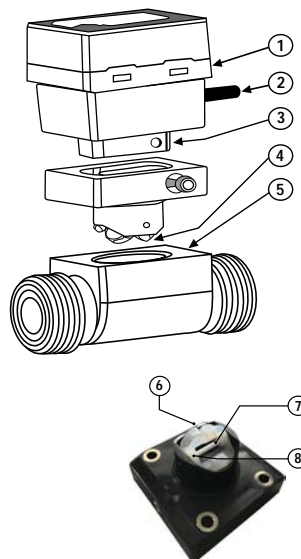
E - EPDM  
 F - FFKM \* FPM is Standard Seal Material

**5. END CONNECTIONS**

S - Sch 80 Soc  
 T - NPT  
 B - SDR11 Butt  
 D - DIN  
 F - ANSI 150 lb

6. RS = TKP Series Only with RS-485 MODBUS  
 7. M = M12 - 2 Meters - Quick Disconnect (Option)

**PARTS TK SERIES**



- 1. Flow Controller
- 2. Power Supply |10-30VDC
- 3. Hall Sensor Technology
- 4. Paddle Wheel
- 5. Body | PVC | PP | PVDF\*
- 6. Tefzel® Paddle
- 7. Zirconium Ceramic Rotor Pin
- 8. Zirconium Ceramic Bearings

\* Note : CPVC Union Ends Available

**TYPICAL APPLICATION**

