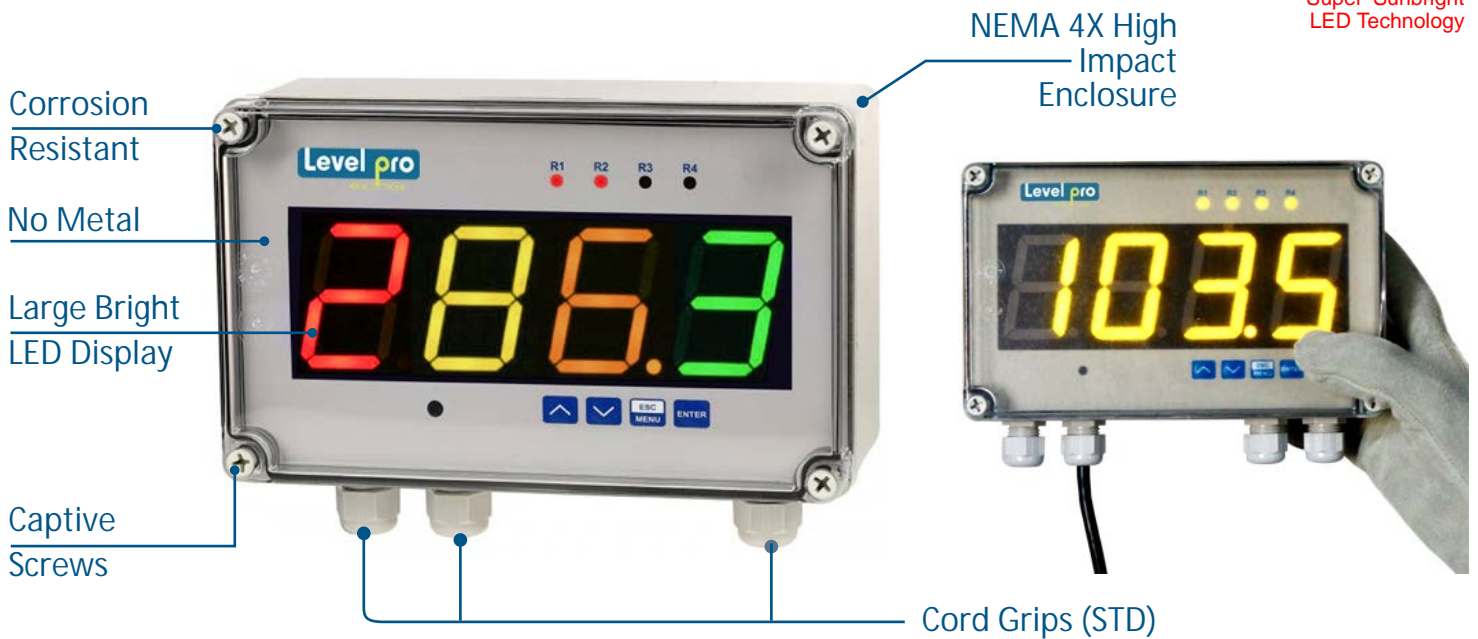


- X-Large Multi-Color | Universal Inputs
- Flow | Level | Temp | Pressure
- Eliminates Need for Stack-Lights
- Visual Indication of Process Conditions



FEATURES	
●	Industry's Largest Multi-Color LED Display 7 Different Colors 2 1/4" High
●	Extra Bright LED Outdoor Service
●	Indication of Upset Conditions Low High Out of Bounds
●	Universal input: 0 4-20mA 0-10V 0-150mV RTD PH
●	Relay Outputs + 4-20mA Repeater
●	RS-485 Modbus RTU (Standard)
●	Optional Remote Control for Programming
●	Includes NEMA 4X Enclosure + Cord Grips
●	24VDC Power Supply for Sensor
●	Eliminates the Need for Stack-Lights

SPECIFICATIONS	
Power supply	19V - 50VDC 85 - 260VAC/DC
Power consumption	
Display	Super Bright LED (4 x 2 1/4") (57 mm) High
Displayed values	Multicolor -999 - +9999
Input	Current: 0-20mA or 4-20mA, Input current limited to 50mA Voltage: 0-5V 1-5V 0-10V or 2-10V input resistance > 100 k
Accuracy	0.1% @ 25°C ± one digit
Analogue output	Passive Current: 4 -20mA Repeater
Communication interface	RS-485
Operating temp.	-40°F - 122°F (-40°C ÷ +50°C)
Storage temp.	-40°F - 158°F (-40°C ÷ +70°C)
Protection class	NEMA 4X / IP 67
Case	Wall Mounted Material - Polycarbonate
Dimensions (WxHxD)	9" X 5.5" X 3.8" (230 x 140 x 96.5 mm)

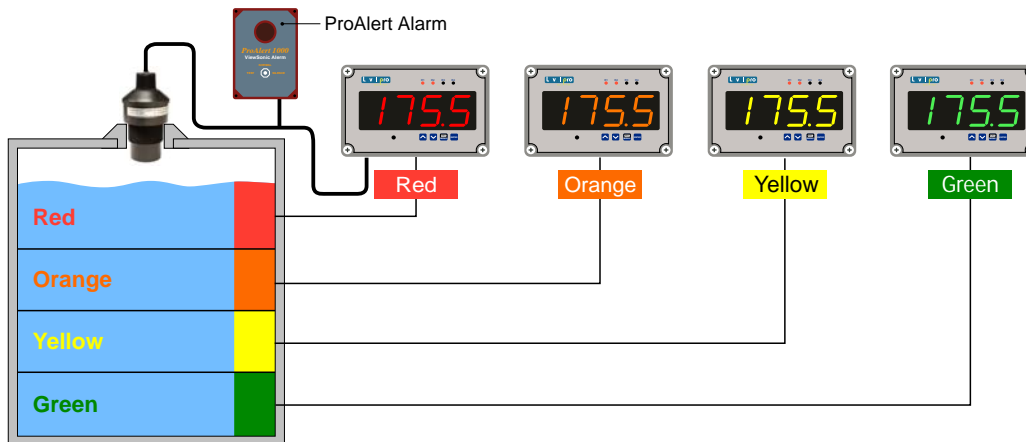
Programmable Multi-Color LED DISPLAY

1. Ultra Bright Display



2. Multi-Color Display

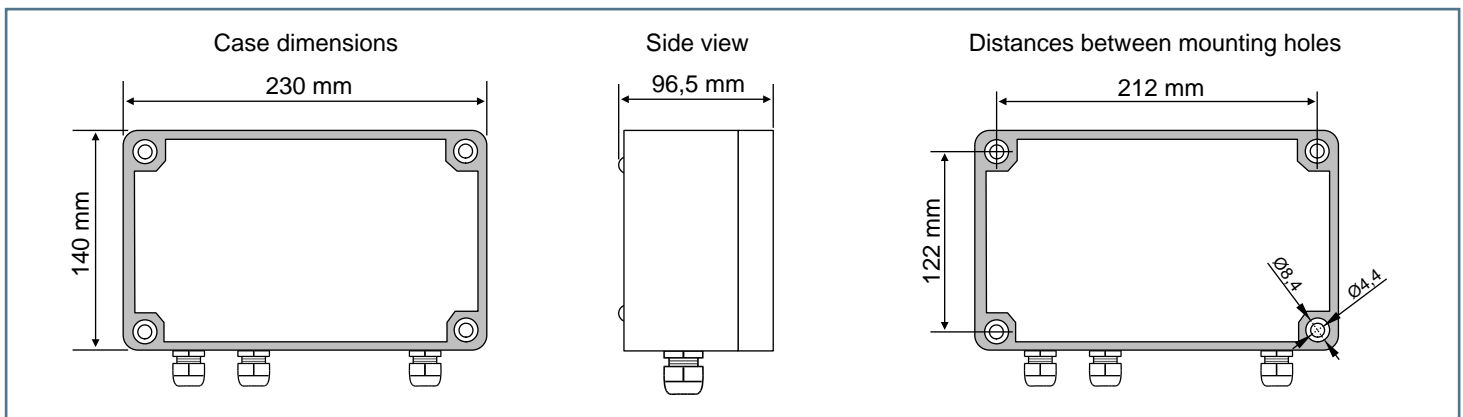
Device is also equipped with a display offering multicolor LED's. It allows any color settings in the range of red to green plus an additional 7 different colors. The display can be configured to change color based on process inputs i.e. flow meter application - green = flow, red = no flow. See example below of display configured for a level application.



No Need for Stack-lights

Example : Tank Level Application

DIMENSIONS



ORDERING

Part Number	Input	Output
TVU-1121	4-20mA	2 Relay
TVU-1129	4-20mA	4-20mA
TVU-1421	4-20mA	4 Relay
TVU-1429	4-20mA	4-20mA + 2 Relay

* Consult Factory for Alternative Inputs