

- No Programming
- Excellent Corrosion Resistance
- Output | Pulse | Voltage | 4-20mA



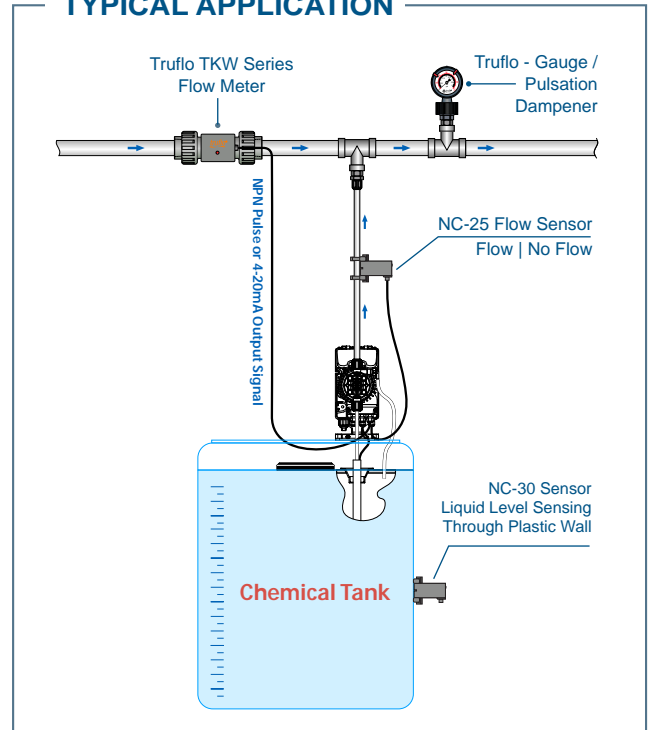
On Paddle Assembly

Zirconium Ceramic Rotor Pin & Bearings



**SERIES :** TKW  
**CONNECTION :** SOC | NPT | Flange | Butt | DIN  
**SEALS :** FPM | EPDM | FFKM

### TYPICAL APPLICATION



### FEATURES

- High Accuracy |  $\pm 1.0\%$  of Full Scale
- NPN Pulse | Voltage | 4-20mA Output
- Corrosion Resistant | PVC | PP | PVDF\*
- Low Cost Visual Indication
- Easy Installation | No Mounting Kits
- Compact Design
- Horizontal | Vertical Installation
- Size Range ½ - 4"
- Low Pressure Drop
- NEMA 4X Enclosure
- Suitable for Corrosive Environments
- True-Union Design ½ - 2" | Flanged 3" - 4"

\* Note : CPVC Union Ends Available

### SPECIFICATIONS

<b>Fluid</b>	Water or Liquid Chemicals   Viscosity Range: 0.5-20 centistokes
<b>Accuracy</b>	> $\pm 1.0\%$ of F.S. @ 20°C (68°F)   Repeatability $\pm 0.5\%$ of Full Scale
<b>Max Flow Velocity</b>	10 m/s max   32.8 ft/s max
<b>Min Flow</b>	0.3 m/s min.   0.98 ft/s min
<b>Operating Pressure</b>	150 psi   Non-Shock
<b>Turndown</b>	33:1
<b>Response time</b>	Real Time
<b>Material of Construction</b>	<b>Paddle:</b> Tefzel® <b>Body:</b> PVC   PP   PVDF <b>Shaft:</b> Zirconium Ceramic <b>Seals:</b> FPM (Std)   EPDM   FFKM
<b>Operating Temperature</b>	PVC < 60 C (140 F)   PP < 80°C (176°F)   PVDF < 110°C (230°F)
<b>Electronics</b>	+ 50°C   122F
<b>Protection Class</b>	IP66   NEMA 4X
<b>Approval</b>	CE   Rohs
<b>Current Draw</b>	60mA Max
<b>Operating Voltage</b>	10-30VDC

\*Consult Factory for Details

### PRODUCT SELECTION

#### EXAMPLE

TKW ----- 25 ----- PVC ----- E  
 (1) (2) (3) (4)

#### 1. SERIES

TKW = Paddle Wheel Flow Meter with Transmitter Output

#### 2. PIPE SIZE

15 | (½") | 20 | (¾")  
 25 | (1") | 40 | (1 ½")  
 50 | (2") | 80 | (3") 100 | (4")

#### 3. BODY MATERIAL

P - PVC  
 PP - Polypropylene  
 PF - PVDF

#### 4. SEALS \*

E - EPDM  
 F - FFKM  
 \* FPM is Standard

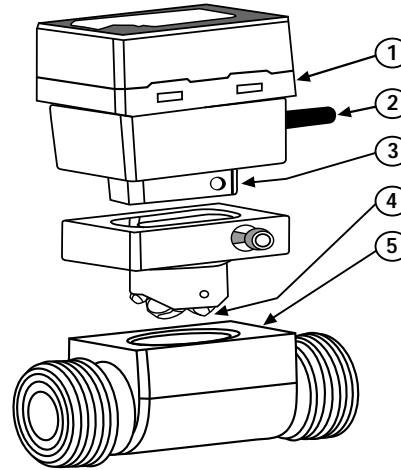
#### 5. END CONNECTIONS

S - Sch 80 Soc                      D - DIN  
 T - NPT                              F - ANSI 150 lb FLANGE  
 B - SDR11 Butt

#### 6. OUTPUTS

P - Frequency Pulse  
 V - 0-5 Volts Output  
 A - 4-20mA Output

### PARTS TKW SERIES

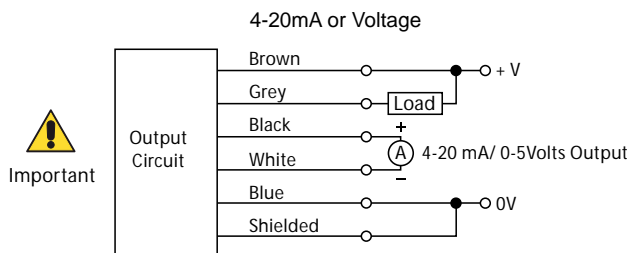


1. Flow Controller
2. Lead Wire
3. Hall Sensor
4. Paddle Wheel
5. Body (PVC | PP | PVDF)\*

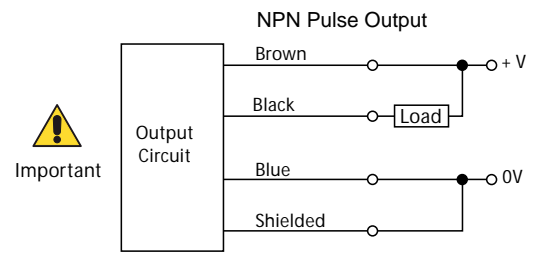


\* CPVC Socket Ends Available

### Wiring Diagram



Brown	12-24VDC	Black	+ 4-20mA / 0-5V Output
Blue	0V	White	- 4-20mA / 0-5V Output
Grey	NPN Paddle Pulse Output	Shielded	Ground



Brown	12-24VDC	Black	Pulse Output
Blue	0V	Shielded	Shielded Wire

DC Power Only

### Application Note

#### Load resistance:

Current output : (4-20mA) : 120Ω max.  
 Voltage output : (0-5V) : 10KΩ min.

### Range of Transmitter

TKW Series	DN15   ½"	DN20   ¾"	DN25   1"	DN40   1 ½"	DN50   2"
Range LPM   GPM	0-30 LPM   0-8 GPM	0-60 LPM   0-16 GPM	0-90 LPM   0-24 GPM	0-200 LPM   0-53 GPM	0-330 LPM   0-87 GPM