

- **Excellent for Non Metallic Piping Systems**
- **Reduce Flange Breakage**

Lotorg LT Series Gaskets are recommended for all types of Non-Metal Plastic flanges to Prevent Initial Breakage due to Bolt Over-Tightening. The unique Double Convex Raised O-Ring Design provides Excellent Sealing with 75% Less Bolt torque required for flat face gaskets. The PTFE gaskets have PTFE Teflon® sheet material bonded directly to EPDM

EPDM

PTFE

*"Sealing made Simple"*

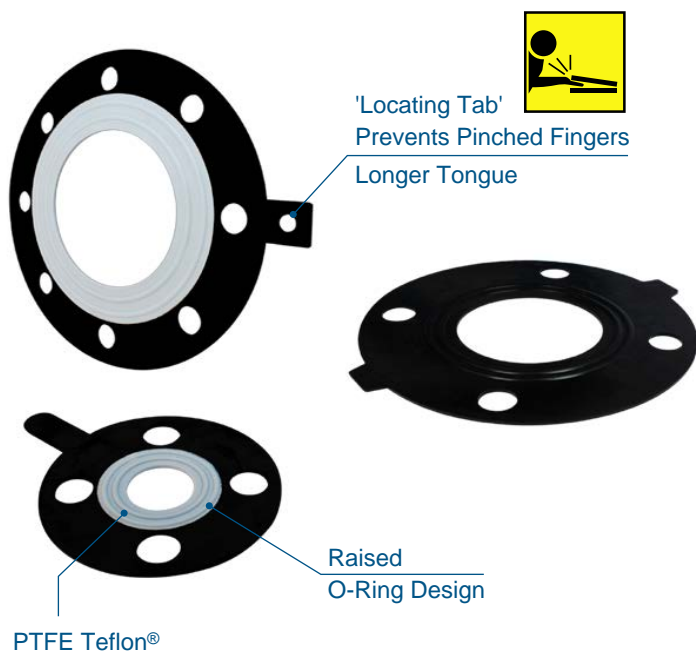
  

**SERIES** : LT

**SIZES** : EPDM ½" - 12"  
PTFE | EPDM ½" - 12"

**CLASS** : ANSI 150 Full Faced

**TEMP RANGE** : EPDM : (-40° to 90°C) (-40° to 194°F)  
PTFE : (-40° to 121°C) (-40° to 250°F)



### FEATURES

- **Industry's Only Full Port Double O-Ring Design for ½ - 12" Piping Systems**
- **Reduces Pressure Drop**
- **Location Tab-Eliminates pinched fingers**
- **Low Flange Bolt Torques Required for Positive Seal** - Due to the Molded Raised Face - Patented double convex Ring Design
- **Ideal for Thermoplastic Piping Systems**, also Metal or Plastic Lined Metal Pipe Systems for up to 250 psi
- **Excellent Chemical Resistance** - PTFE-bonded gaskets are Suitable for Extremely Aggressive Chemical Services.
- **Longer Gasket Life** - Because Lower Flange Pressures are Required for Sealing. PTFE is Energized by EPDM Backing.
- **Low Torque** - Raised O-Ring Design
- **Designed to Provide Positive Seal**
- **No Over-Tightening Required**
- **Reusable**

### DIMENSIONS

Size	DN	ASME B16.21	ID	OD	B.C.D	No. of Holes	Dia. of Holes
½"	15	150#	21	89	60	4	16
¾"	20	150#	27	98	70	4	16
1"	25	150#	33	108	79	4	16
1-½"	40	150#	48	127	98	4	16
2"	50	150#	60	152	121	4	19
2-½"	65	150#	73	178	140	4	19
3"	80	150#	89	191	152	4	19
4"	100	150#	114	229	191	8	19
5"	125	150#	141	254	216	8	22
6"	150	150#	168	279	241	8	22
8"	200	150#	219	343	298	8	22
10"	250	150#	273	406	362	12	25
12"	300	150#	324	483	432	12	25
14"	350	150#	356	533	476	12	29
16"	400	150#	406	597	540	16	29
18"	450	150#	457	635	578	16	32
20"	500	150#	508	699	635	20	32
24"	600	150#	610	813	749	20	35

