

4

3

2

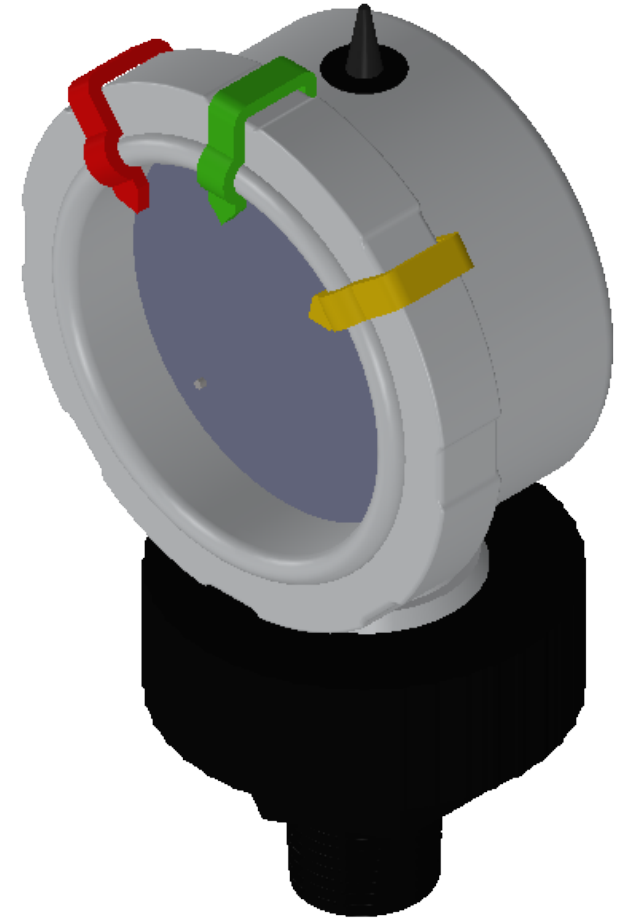
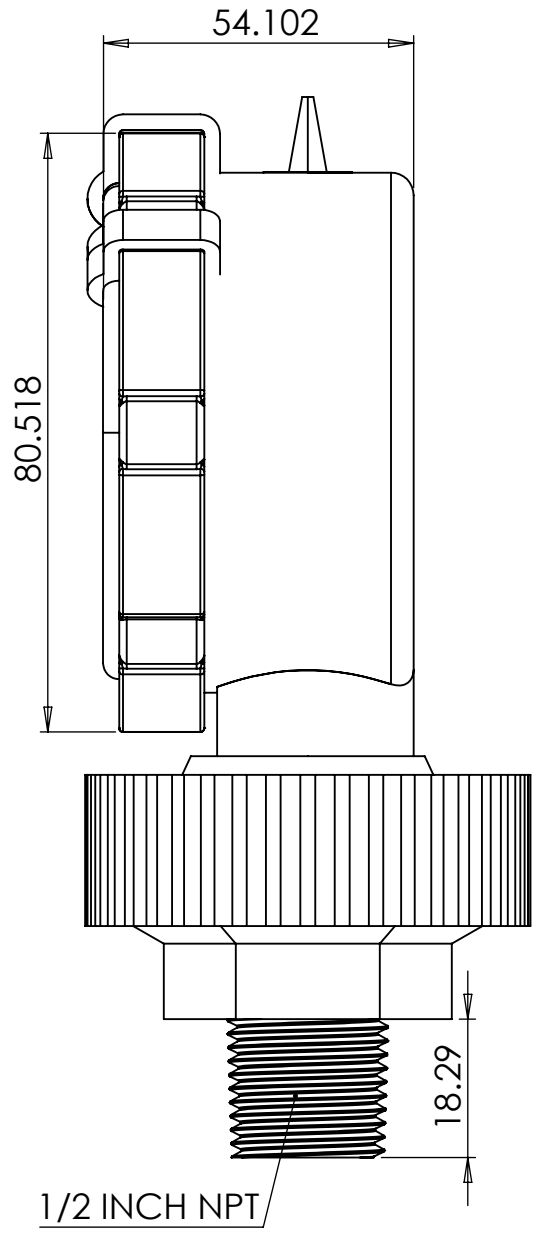
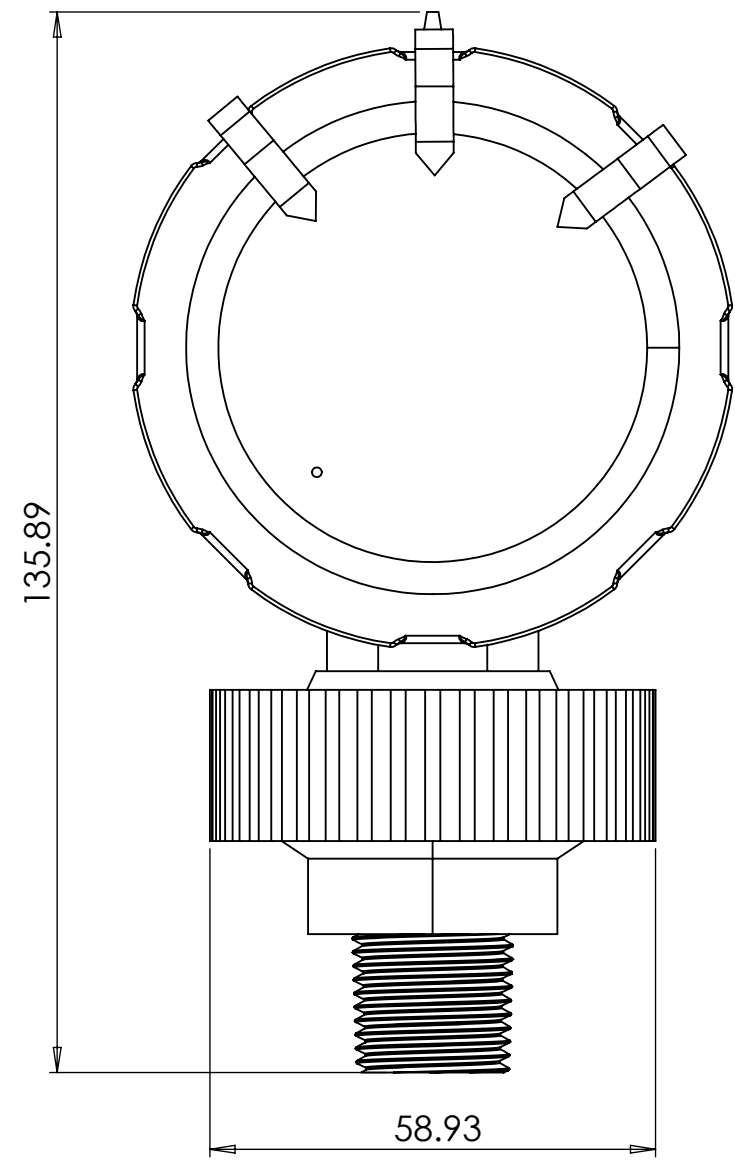
1

B

B

A

A



ICON PROCESS CONTROLS ADDRESS:- 1075 NORTH SERVICE ROAD W UNITS 1-4, OAKVILLE, ON L6M 2G2 EMAIL:- SALES@ICONPROCON.COM PHONE:- 905-469-9283		NAME	DATE	
	DRAWN	PATEL J	3/3/2020	
	CHECKED	CSR		DESCRIPTION:- BAG 'BIG ASS' SERIES 3" Plastic Pressure Gauge & Isolator
	PROJECTION:-			
	UNITS:-	MM		SIZE B PART. NO. BAG-P_PP-0-60_100_160
NOTE:-	-DRAWING NOT TO SCALE -DEMNSIONS SUBJECTED TO CHANGE		SCALE: 1:1 SHEET 1 OF 1	

4

3

2

1