

OBS-V SERIES

& R P S R V p S O D V W L T X H



■ No Filling Required

■ \$ S S U R S U L p D X [

■ & R Q F H S W L R Q U R E X V W H

PP

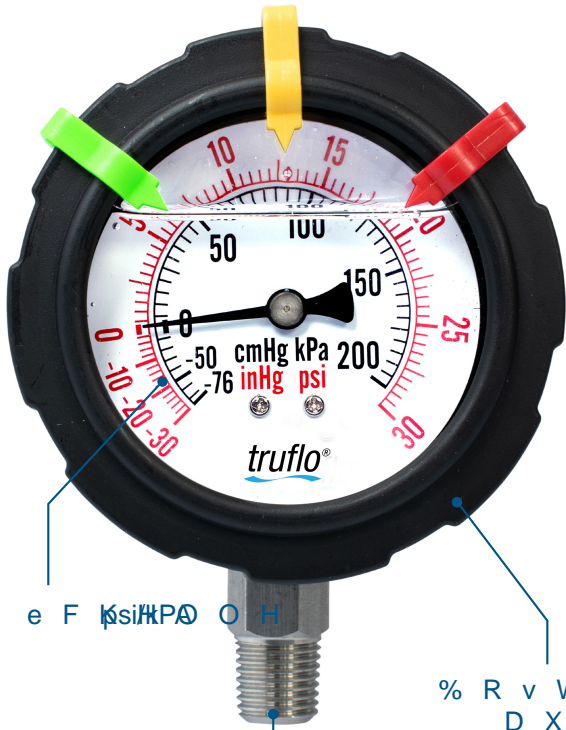
316 SS

U R Q Q H P

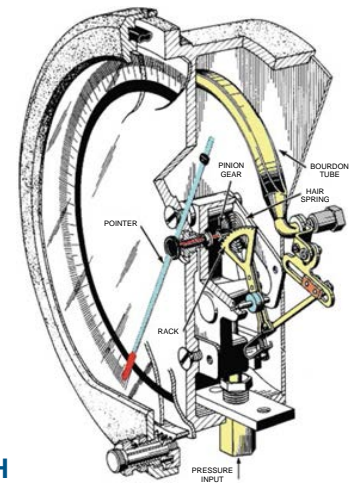
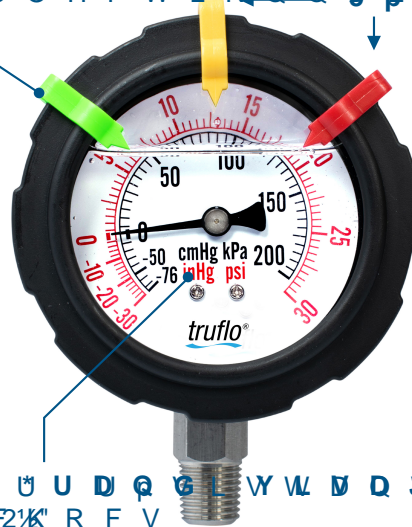


SERIES : OBS-V

& 2 1 1 (; , 2 1 : 316 SS - 1/4" NPT | G



* D P P H V
V p O H F W L R Q Q B F D O H D E O H



1/4" NPT
316 SST

% R v W L H U U D Q G L Y W D Q J V H
D X [F 2 1/2" R F V

) R Q F W L R G
L Q W H U Q H

\$ I I L F K H O D S U H V V L R Q H W H

& \$ 5 \$ & 7 e 5 , 6 7 ,

SP eCIFICATIONS

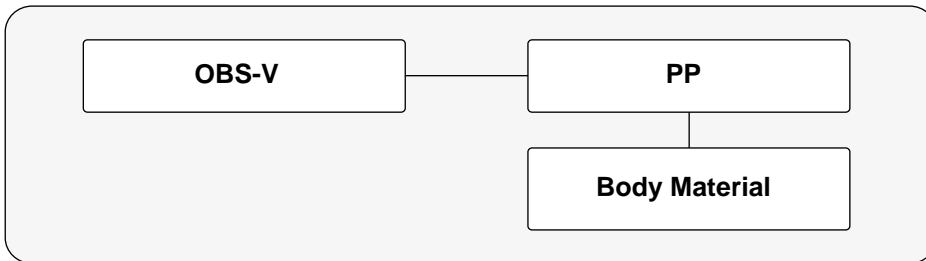
- \$ G D S W H F i U & F o r H e t W R X
- & R Q Y L H Q W D X [
- * U D Q G Y L V | D I R H U 1/2"
- ' R X E O H p F K H O O H
- & R Q F H S W L R Q U R
- 3 R Q J O H W V R G - J H X J D
- 7 U q V J U D Q G p F L
- 3 U p F L V ± 0.75% Q p O H Y
- Fa 3 U p U H P S O L H C
- * O \ F p U L Q H V W D
- % R v W L H U j L P S D
- 3 O D J H V G H S U H

Dial Diameter	Large 2½" Face Big Numbers Clear Markers
Mounting	Direct Mount Bottom Connection
Housing	Polypropylene
Lens	High Impact Polycarbonate
Dial	Red & Black Scale White Background dial arc 270°
Measuring Principle	Bourdon Tube SS316 Brass
Movement	SS316 Brass
Gauge	Red Yellow Green Movable Plastic Markers Pressure Range Pointers Fitted on the Bezel
Connection	¼" (M) NPT G Type 316 SST
Filling	Glycerin (Std) Silicon (Opt)
Accuracy	±0.75%
Operating Temperature	Max. Working Temp PP - 180°F
Pressure Range	Standard Ranges -30 + 30 Psi (Second Scale: kPa) Other Scales Available - Consult Factory

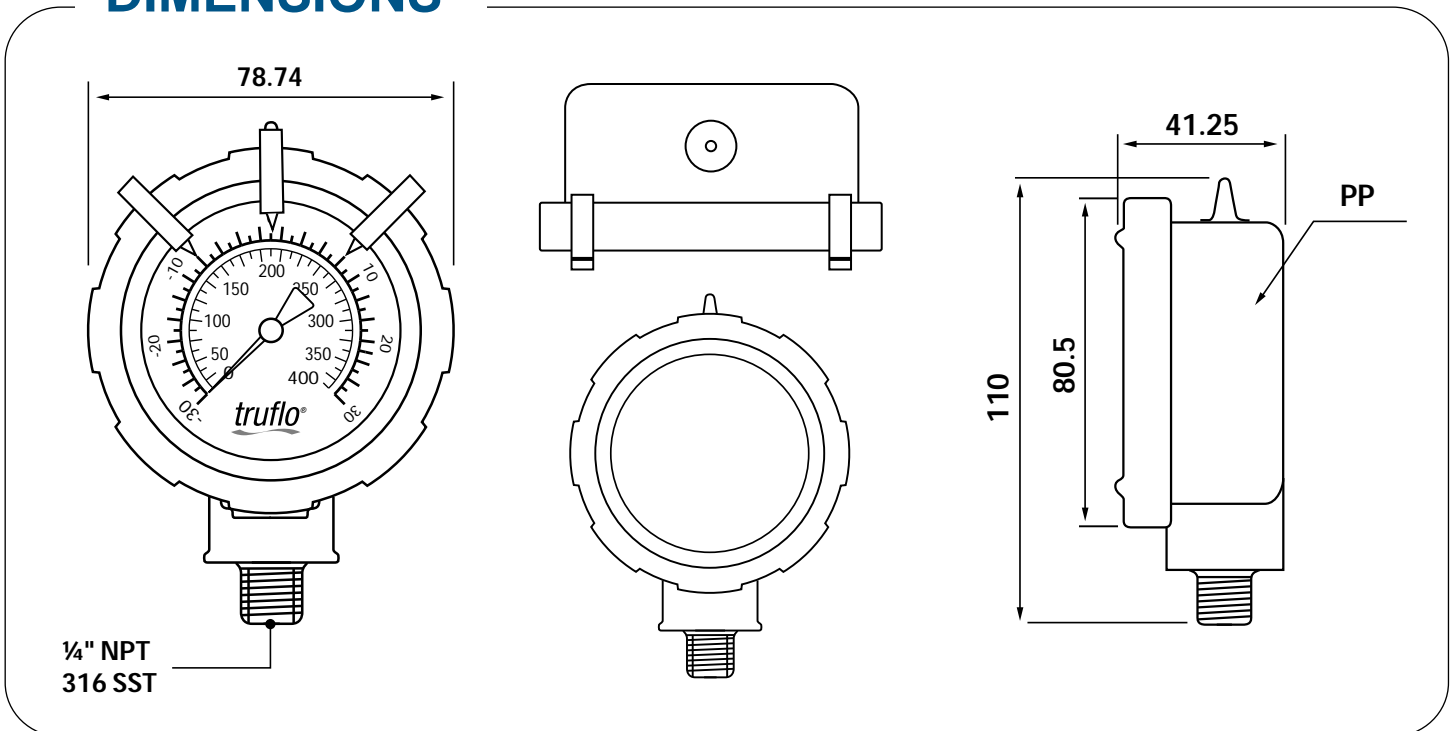
R U

H

HOW TO ORDER



DIMENSIONS



Installation

Do not tighten by grasping the case of the gauge as this may cause damage.

1. Before installing the OBS Series pressure gauge, ensure attention is given to the Process Liquid, Chemical Compatibility, Temperature, Vibration, Pressure Spikes, and other climatic and application conditions that may adversely affect the performance.
2. The user shall ensure that the correct gauge pressure range and the correct materials of construction are selected.

