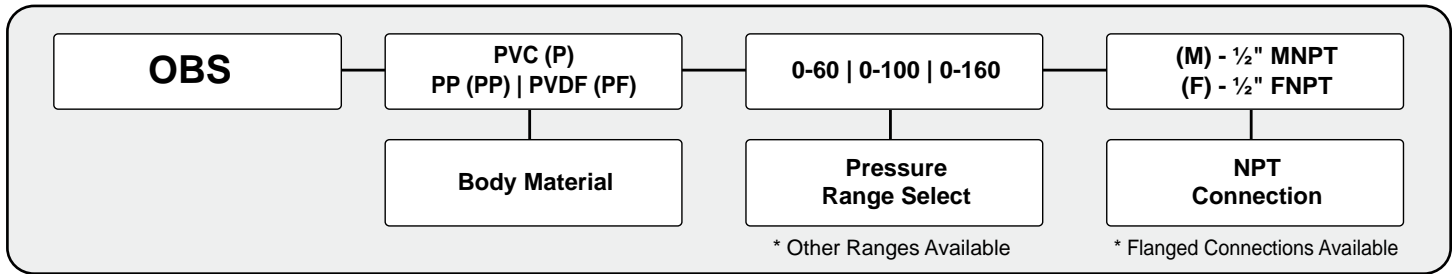
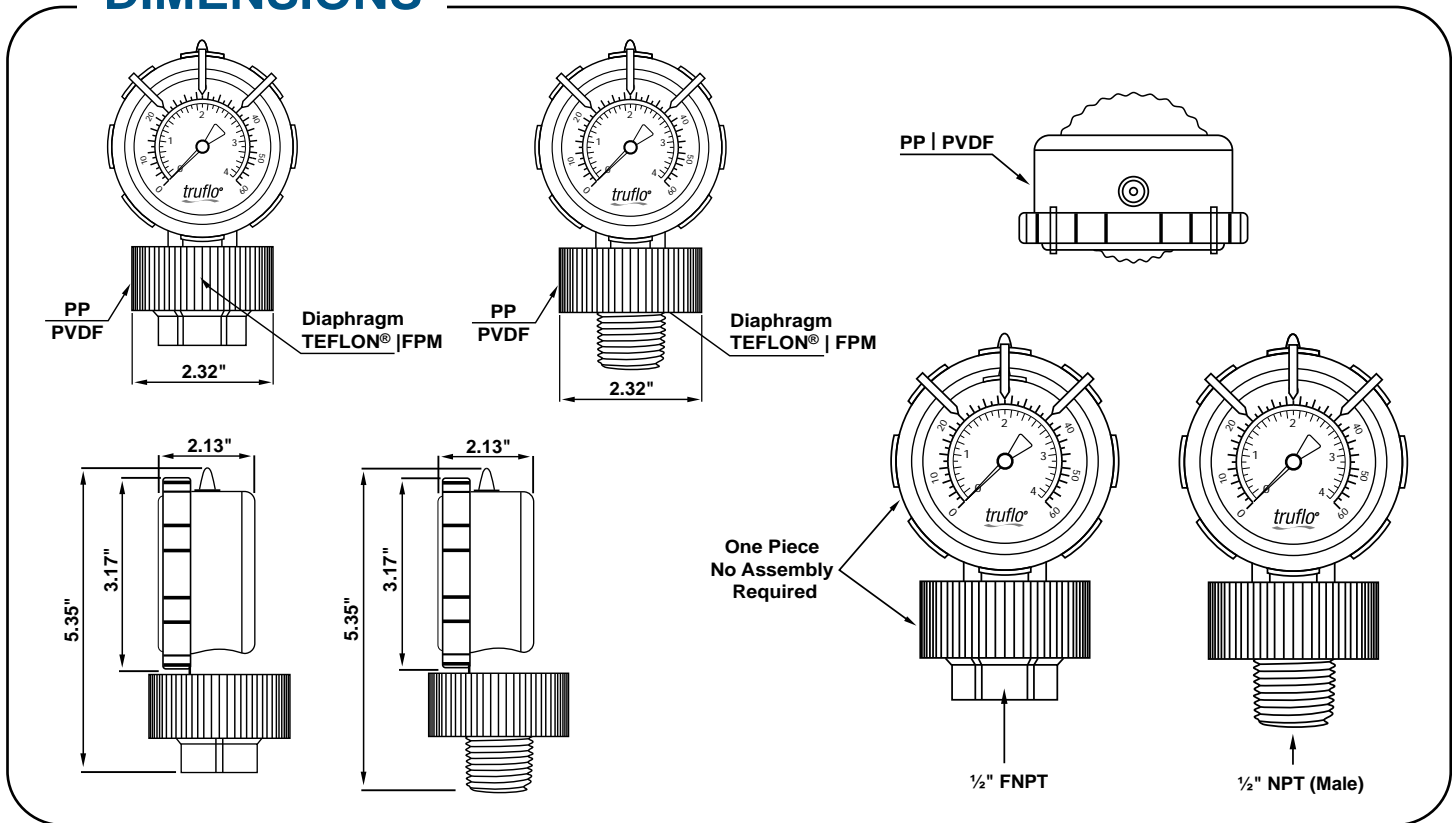




## HOW TO ORDER



## DIMENSIONS



## INSTALLATION

Do not tighten by grasping the case of the gauge as this may cause damage. Always Pressure Test Connections for Leaks with Water Prior to Use on Chemical Service

1. Before installing the OBS Series pressure gauge, ensure attention is given to the Process Liquid, Chemical Compatibility, Temperature, Vibration, Pressure Spikes, and other climatic and application conditions that may adversely affect the performance.
2. The user shall ensure that the correct gauge pressure range and the correct materials of construction are selected.

