

TK3 SERIES

DÉBITMÈTRE SS 316 MULTIFONCTION

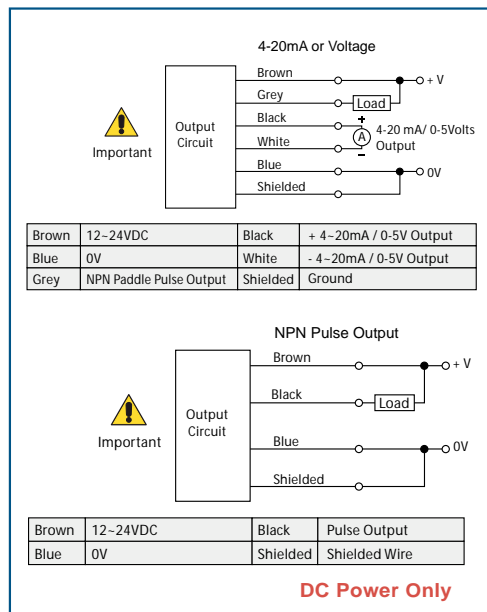


7 D L O O H V W D Q G D U G G H V W6 XE \KDp XP [D G H F k E

Pipe Size O.D.	ANSI ID 3 R X F		H _D W _D mm	Flow Rate LPM USGPM	
	Sch 40	Sch 80		0.3m/s min.	10m/s max.
DN15 (1/2")	0.62	0.55	Ø20	3.5 / 1.0	120 / 32
DN20 (3/4")	0.82	0.74	Ø25	5.0 / 1.5	170 / 45
DN25 (1")	1.00	0.96	Ø32	9.0 / 2.5	300 / 79
DN40 (1 1/2")	1.40	1.50	Ø50	25.0 / 6.5	850 / 225
DN50 (2")	2.00	1.90	Ø63	40.0 / 10.5	1350 / 357
DN 65 (2 1/2")	2.50	2.30	Ø75	60.0 / 16	1850 / 357
DN80 (3")	3.10	2.90	Ø78	90.0 / 24	2800 / 739
DN100 (4")	4.00	3.80	Ø96.50	125.0 / 33	4350 / 1149

1 R W H G D S S O L F D W L R Q

5 p V L V W D Q F H j O D F K D U J H:
 Sortie actuelle : (4-20mA) : 120Ω max.
 Sortie de tension : (0-5V) : 10KΩ min.



Range of Transmitter

TKW Series	DN08 1/4"	DN10 3/8"	DN15 1/2"	DN20 3/4"	DN25 1"
Range LPM GPM	0.16 - 3.17 GPM	0-16 GPM	0-90 LPM / 0-24 GPM	0-200 LPM / 0-53 GPM	2.5 - 79.0 GPM
TKW Series	DN40 1 1/2"	DN50 2"	DN15 1/2"	DN20 3/4"	DN50 1"
Range LPM GPM	6.5 - 225 GPM	10.5 - 357 GPM	0-90 LPM 0-24 GPM	0-200 LPM 0-53 GPM	0-330 LPM 0-87 GPM

PRODUCT SELECTION

EXAMPLE

TK3P ----- 25 ----- E ----- GT ----- T
 (1) (2) (3) (4) (5)

1. SERIES

- TK3B = Battery Operated Paddle Wheel Flow Meter - Flow Rate + Flow Total
- TK3S = Paddle Wheel Flow Meter with Relay Output + Flow Rate Pulse Output
- TK3P = Paddle Wheel Flow Meter & Flow Totalizer + Flow Rate Pulse + Flow Total Pulse
- TK3M = Paddle Wheel Flow Meter with Transmitter 4-20mA + Flow Rate Pulse / Flow Total Pulse
- TK3W = Paddle Wheel Flow Meter / 4-20mA or Pulse

2. PIPE SIZE

08 / (1/4") / 10 / (3/8")
 15 / (1/2") / 20 / (3/4")
 25 / (1") / 40 / (1 1/2")
 50 / (2")

3. Seals*

E - EPDM
 F - FFKM

* FPM is Standard

5. END CONNECTIONS

SE - Sanitary Ends
 T - NPT
 GT - G Thread

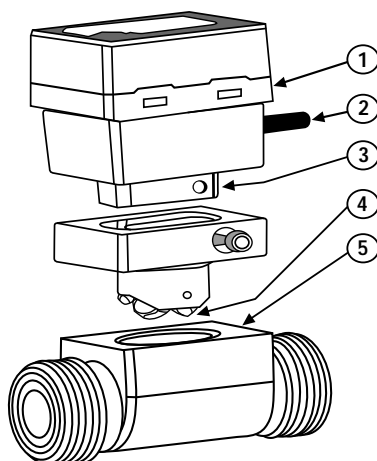
5. COMMUNICATION OR TRANSMITTER

RS = TKP Series with RS-485 MODBUS Selectable

6. CONNECTION METHOD

M = M12 2(M) Connection (Option)
 * No Electrical Connection for TK3B Series

PARTS TK3 SERIES



- Flow Controller
- Lead Wire
- Hall Sensor
- Paddle Wheel
- Body 316 SS

* Note : CPVC Union Ends Available

TYPICAL APPLICATION

