

4

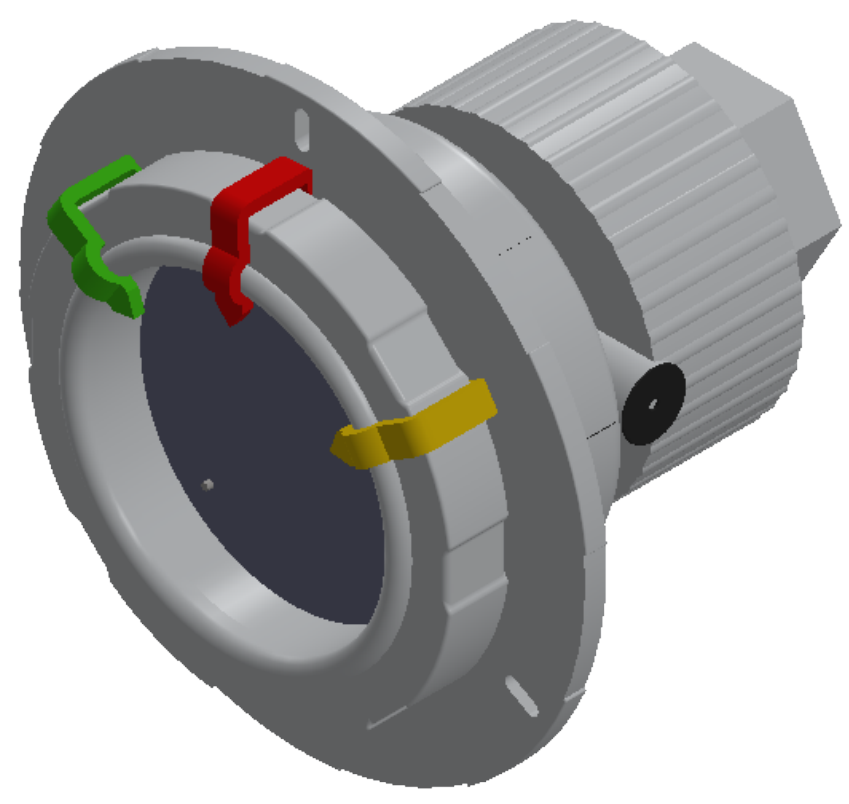
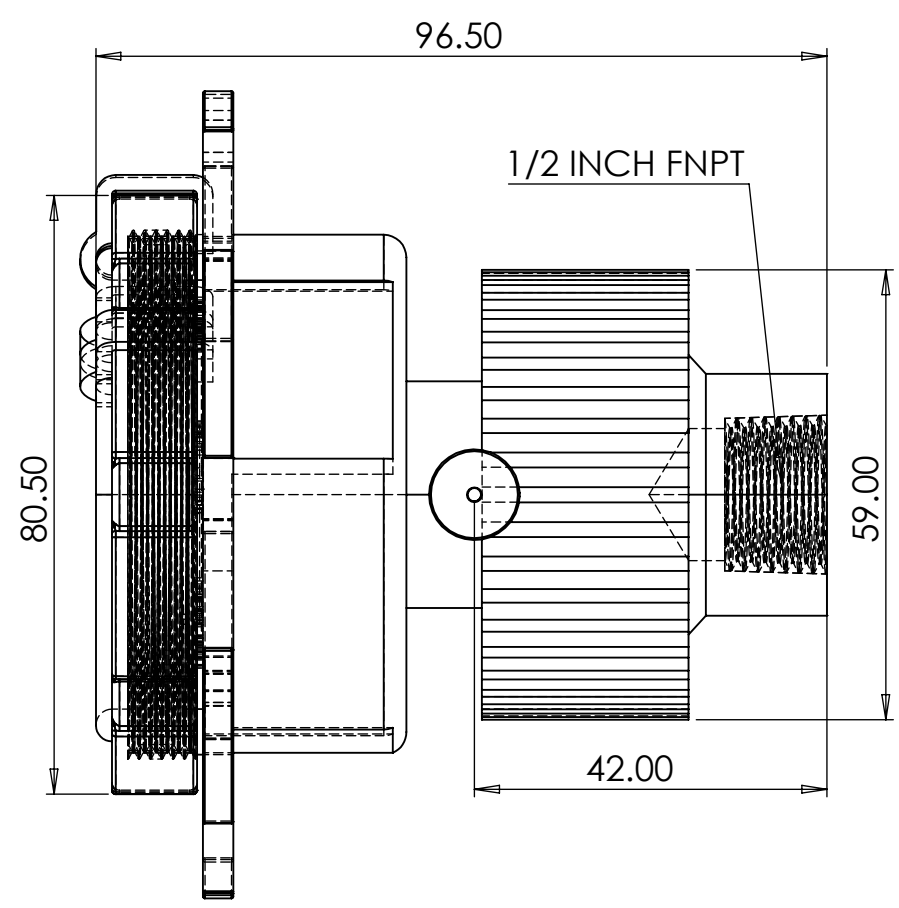
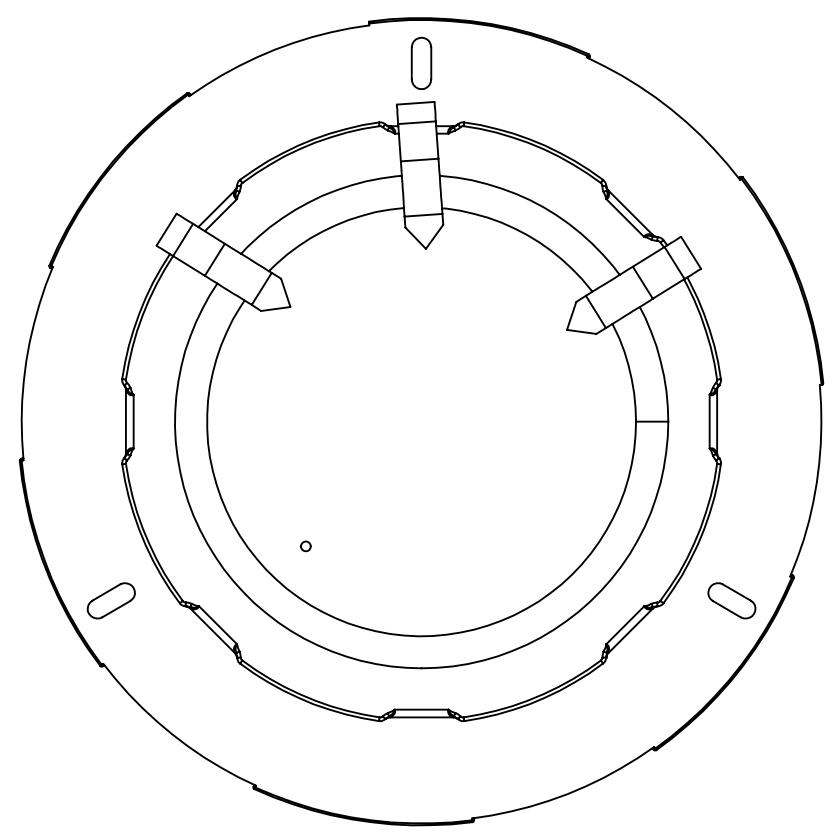
3

2

1

B

B



A

A

ICON PROCESS CONTROLS ADDRESS:- 1075 NORTH SERVICE ROAD W UNITS 1-4, OAKVILLE, ON L6M 2G2 EMAIL:- SALES@ICONPROCON.COM PHONE:- 905-469-9283		NAME	DATE	
	DRAWN	PATEL J	3/5/2020	
	CHECKED	CSR		
	PROJECTION:-			
	UNITS:-	MM		
COPYRIGHT©ICON PROCESS CONTROLS,CA. ALL RIGHTS RESERVED				DESCRIPTION:- OBS-A SERIES Panel Mount Gauge & Isolator
NOTE:- -DRAWING NOT TO SCALE -DEMNSIONS SUBJECTED TO CHANGE				SIZE B
			PART. NO. OBS-A-P_PP_PF-0-60_100_160-0.5-F	
SCALE: 1:1				SHEET 1 OF 1

4

3

2

1