

4

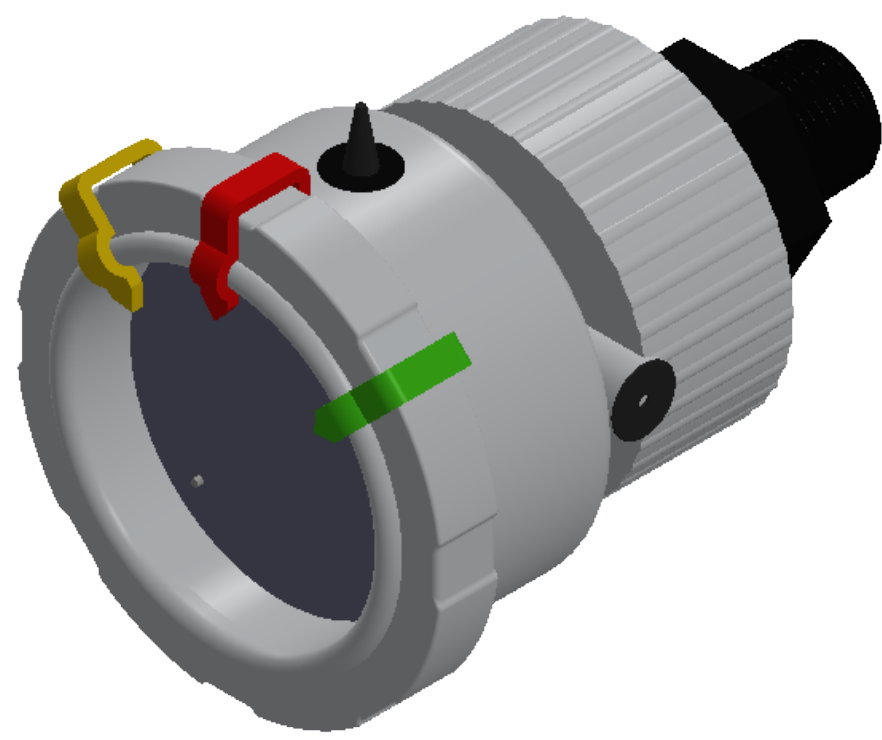
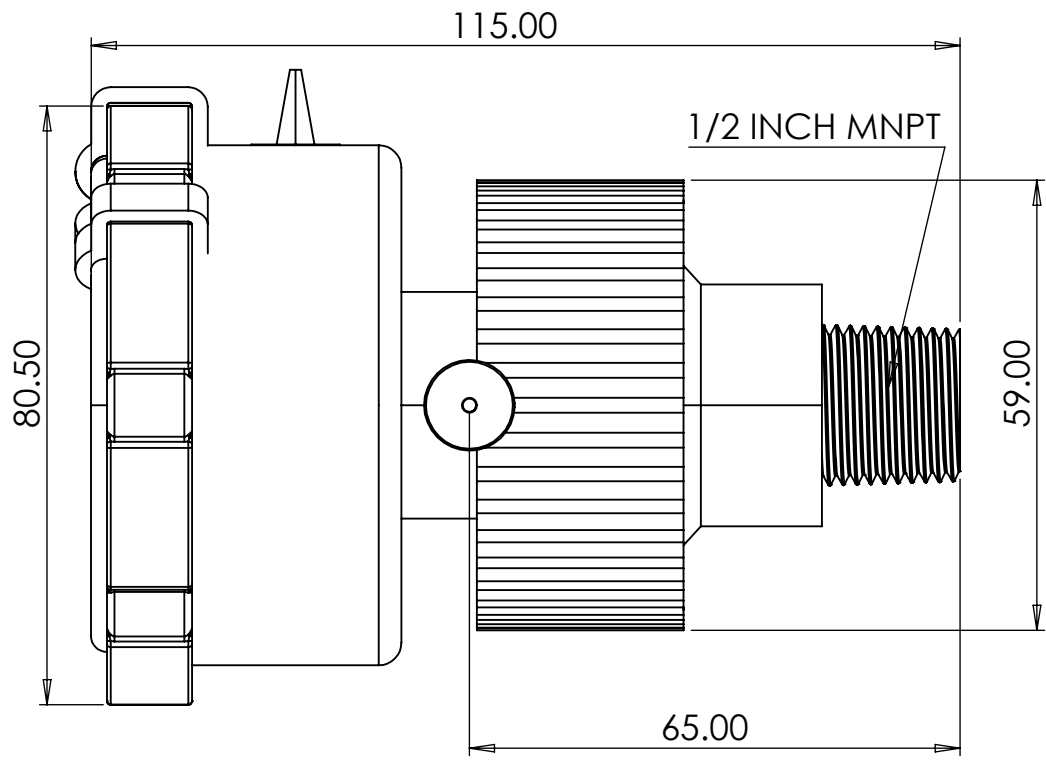
3

2

1

B

B



A

A

| | | | | |
|--|--------------|---------|--------------|---|
| ICON PROCESS CONTROLS ADDRESS:- 1075 NORTH SERVICE ROAD W UNITS 1-4, OAKVILLE, ON L6M 2G2 EMAIL:- SALES@ICONPROCON.COM PHONE:- 905-469-9283 | | NAME | DATE | |
| | DRAWN | PATEL J | 3/2/2020 | |
| | CHECKED | CSR | | |
| | PROJECTION:- | | | |
| | UNITS:- | MM | | |
| COPYRIGHT©ICON PROCESS CONTROLS,CA. ALL RIGHTS RESERVED | | | | DESCRIPTION:- OBS-B SERIES Center Mount Pressure Gauge & Isolator |
| NOTE:- -DRAWING NOT TO SCALE -DEMNSIONS SUBJECTED TO CHANGE | | | | SIZE PART. NO. B OBS-B-P_PP_PF-0-60_100_160-M |
| SCALE: 1:1 | | | SHEET 1 OF 1 | |

4

3

2

1