

4

3

2

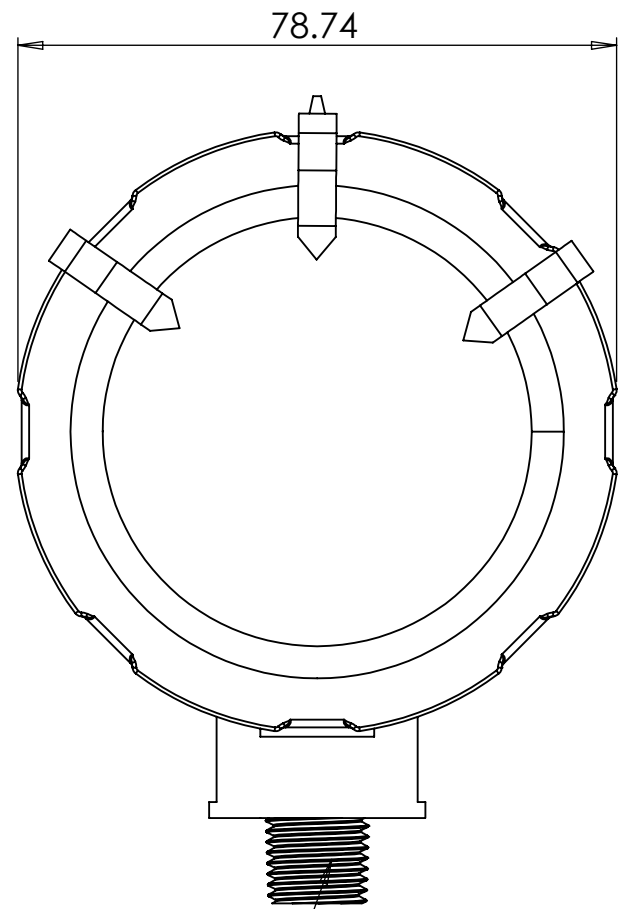
1

B

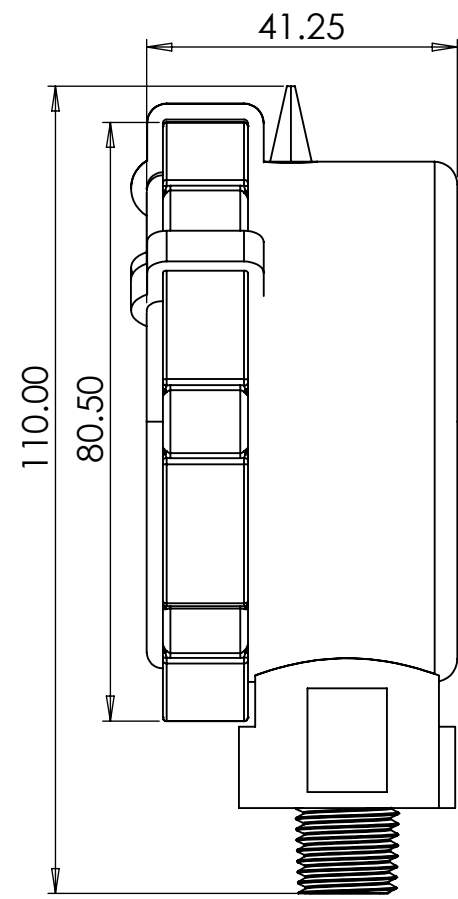
B

A

A



1/4 INCH NPT



ICON PROCESS CONTROLS ADDRESS:- 1075 NORTH SERVICE ROAD W UNITS 1-4, OAKVILLE, ON L6M 2G2 EMAIL:- SALES@ICONPROCON.COM PHONE:- 905-469-9283		NAME	DATE	
	DRAWN	PATEL J	3/5/2020	
	CHECKED	CSR		
	PROJECTION:-			
	UNITS:-	MM		
COPYRIGHT©ICON PROCESS CONTROLS,CA. ALL RIGHTS RESERVED				DESCRIPTION:- OBS-GO SERIES Plastic 316 SS Pressure Gauge
NOTE:- -DRAWING NOT TO SCALE -DEMNSIONS SUBJECTED TO CHANGE				SIZE PART. NO. B OBS-GO-0-60_100_160
SCALE: 1:1			SHEET 1 OF 1	

4

3

2

1