

4

3

2

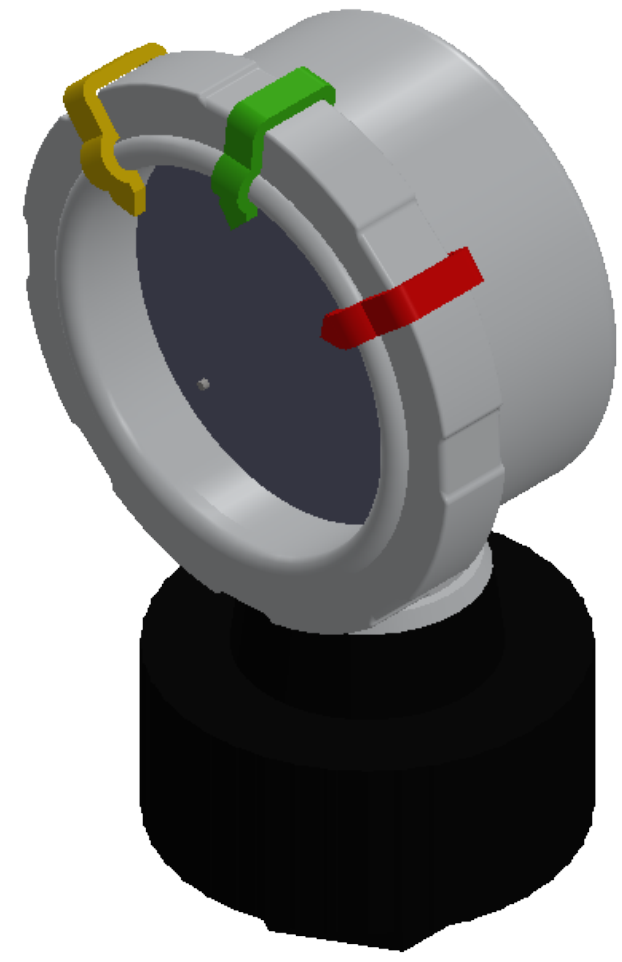
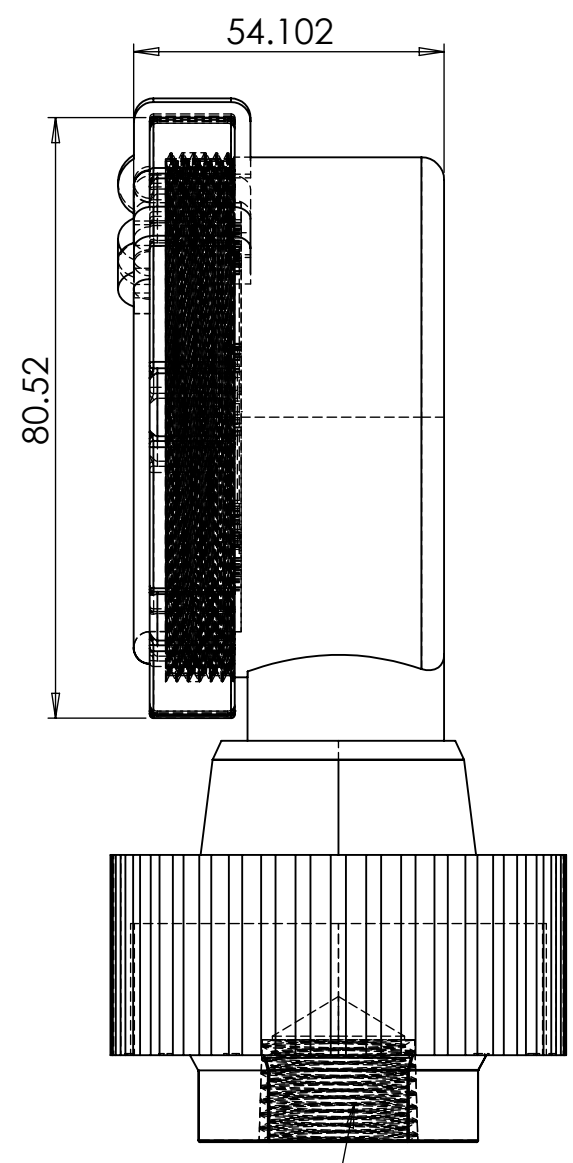
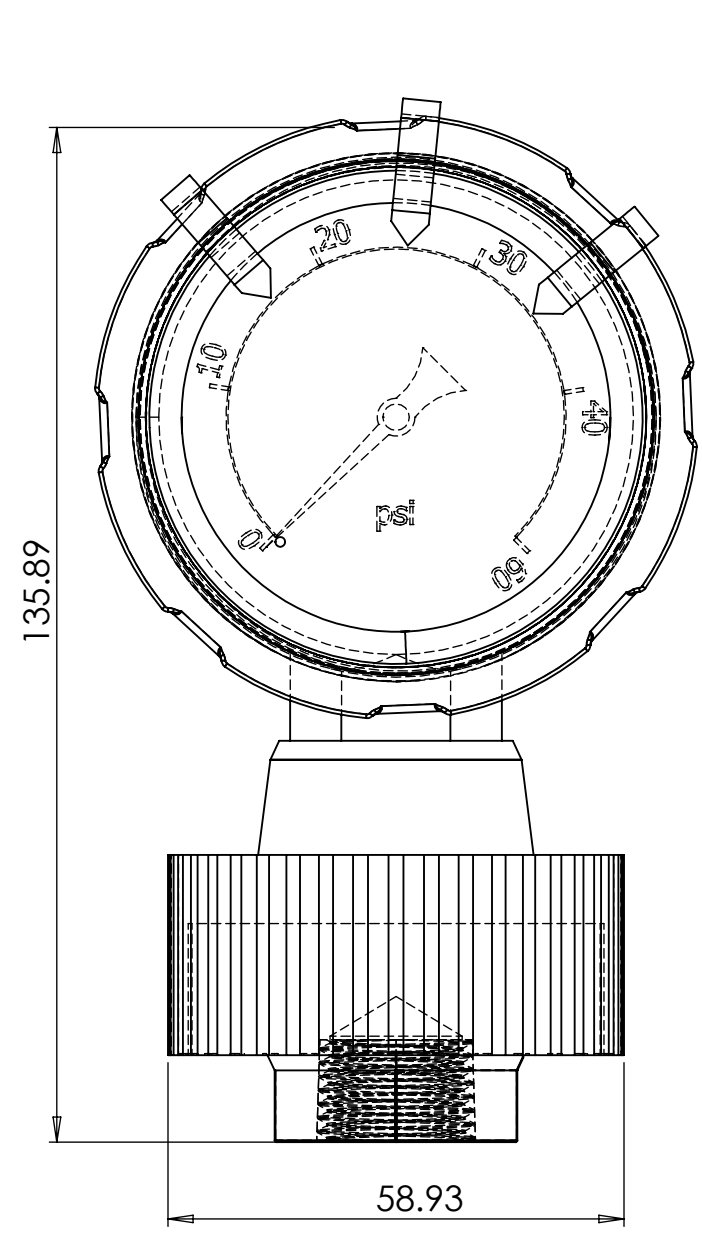
1

B

B

A

A



ICON PROCESS CONTROLS ADDRESS:- 1075 NORTH SERVICE ROAD W UNITS 1-4, OAKVILLE, ON L6M 2G2 EMAIL:- SALES@ICONPROCON.COM PHONE:- 905-469-9283		NAME PATEL J CHECKED CSR PROJECTION:- UNITS:- MM COPYRIGHT©ICON PROCESS CONTROLS,CA. ALL RIGHTS RESERVED NOTE:- -DRAWING NOT TO SCALE -DEMNSIONS SUBJECT TO CHANGE	DATE 3/2/2020 ICON Corrosion-Free Instrumentation Equipment DESCRIPTION:- OBS-R SERIES Plastic Pressure Rotating Gauge & Isolator SIZE B PART. NO. OBS-R-P_PP-30_60 SCALE: 1:1 SHEET 1 OF 1
--	--	--	---

4

3

2

1