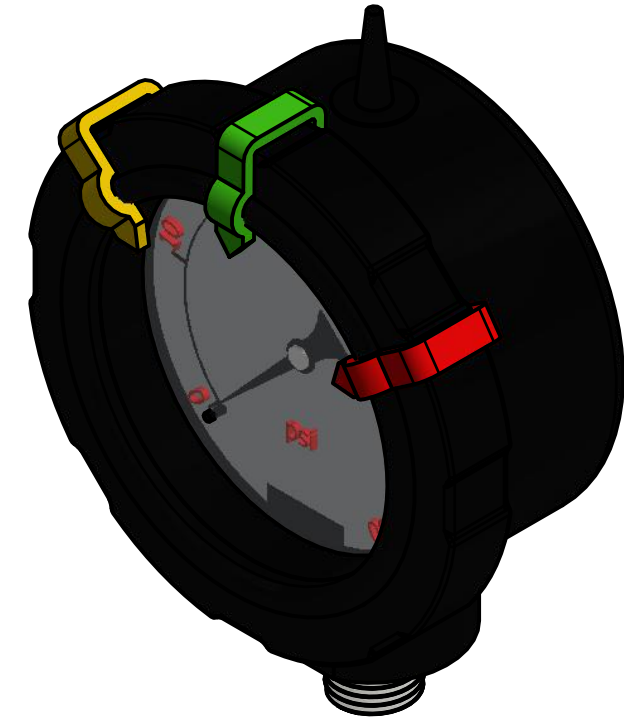
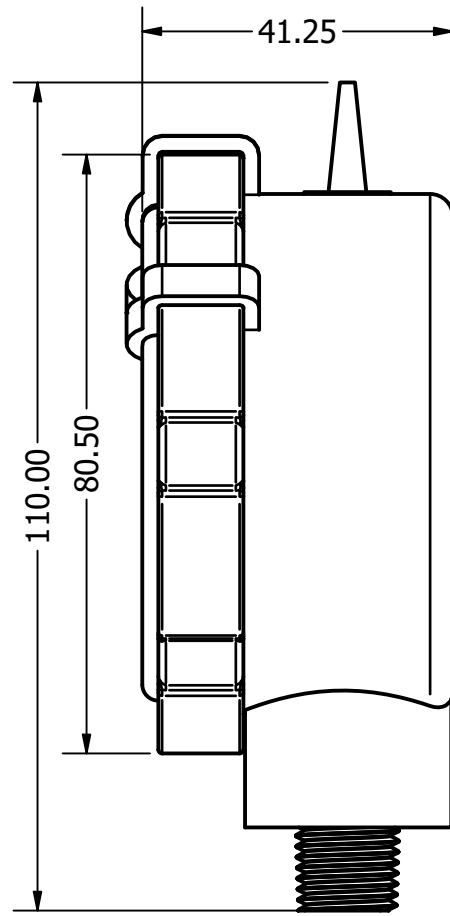




1/4 INCH NPT



ICON PROCESS CONTROLS ADDRESS:- 1075 NORTH SERVICE ROAD W UNITS 1-4, OAKVILLE, ON L6M2G2 EMAIL:- SALES@ICONPROCON.COM PHONE:- 905-469-9283	DRAWN PATEL J	2020-03-03	 Corrosion-Free Instrumentation Equipment	
	CHECKED CSR	DESCRIPTION:- OBS-TT SERIES		
	PROJECTION 	UNITS MM	SIZE B	PART NO:- OBS-TT-PP
	COPYRIGHT © ICON PROCESS CONTROL CA. ALL RIGHTS RESERVED. NOTE:- • DRAWINGS NOT TO SCALE • DIMENSIONS SUBJECT TO CHANGE	SCALE 1 : 1	SHEET 1 OF 1	