

4

3

2

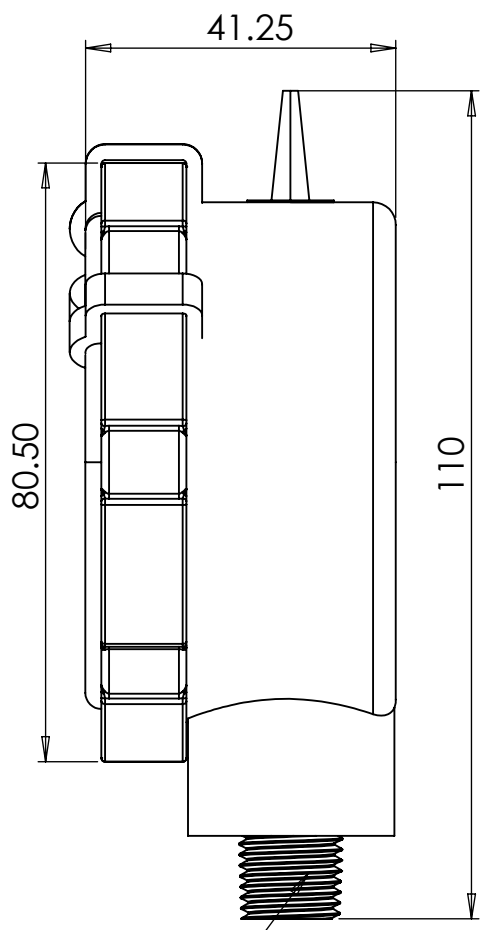
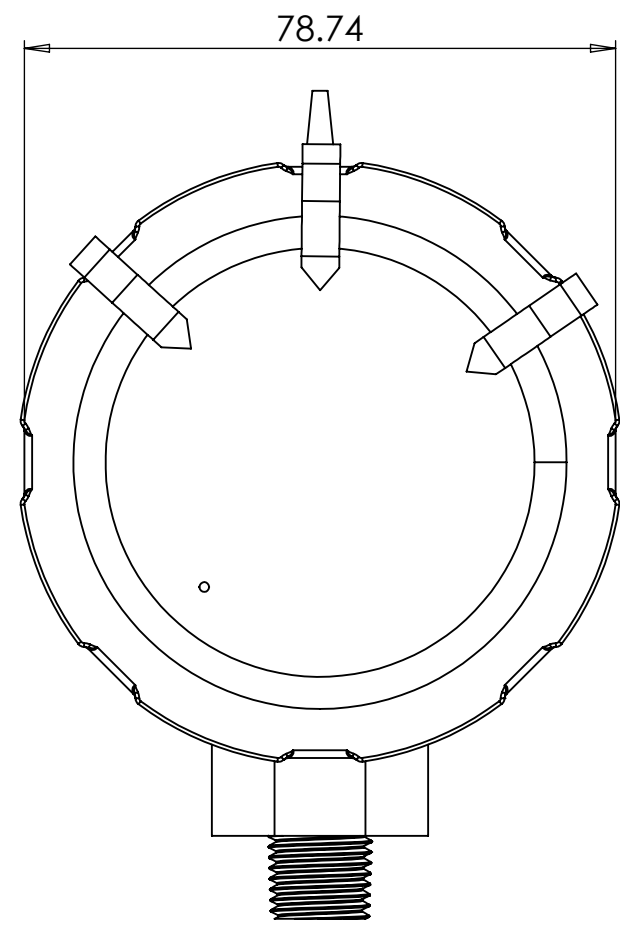
1

B

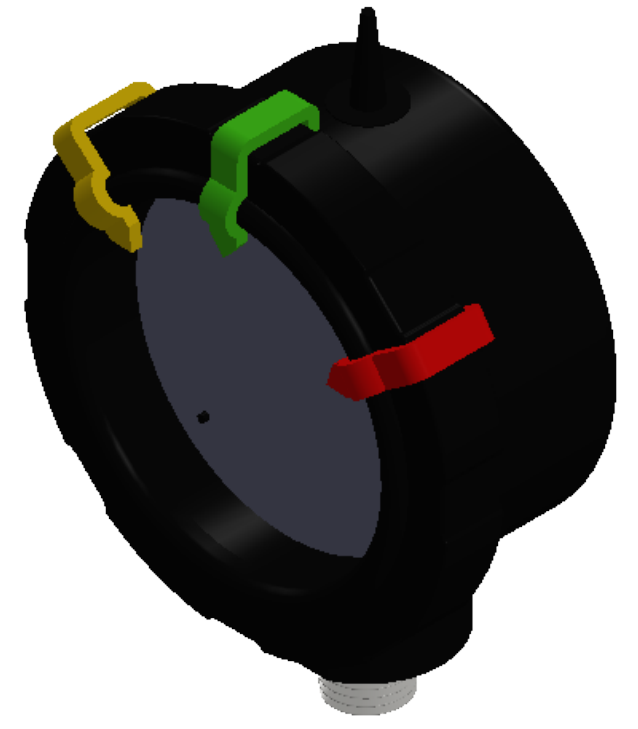
B

A

A



1/4 INCH NPT



<b>ICON PROCESS CONTROLS</b> ADDRESS:- 1075 NORTH SERVICE ROAD W UNITS 1-4, OAKVILLE, ON L6M 2G2 EMAIL:- SALES@ICONPROCON.COM PHONE:- 905-469-9283		NAME	DATE		
	DRAWN	PATEL J	3/3/2020		
	CHECKED	CSR			
		PROJECTION:-			DESCRIPTION:- OBS-V SERIES Plastic Compound   Vacuum Gauge
		UNITS:-	MM		
		COPYRIGHT©ICON PROCESS CONTROLS,CA. ALL RIGHTS RESERVED			SIZE <b>B</b>   PART. NO. OBS-V-PP
	NOTE:-	-DRAWING NOT TO SCALE -DEMNSIONS SUBJECTED TO CHANGE		SCALE: 1:1   SHEET 1 OF 1	

4

3

2

1