

4

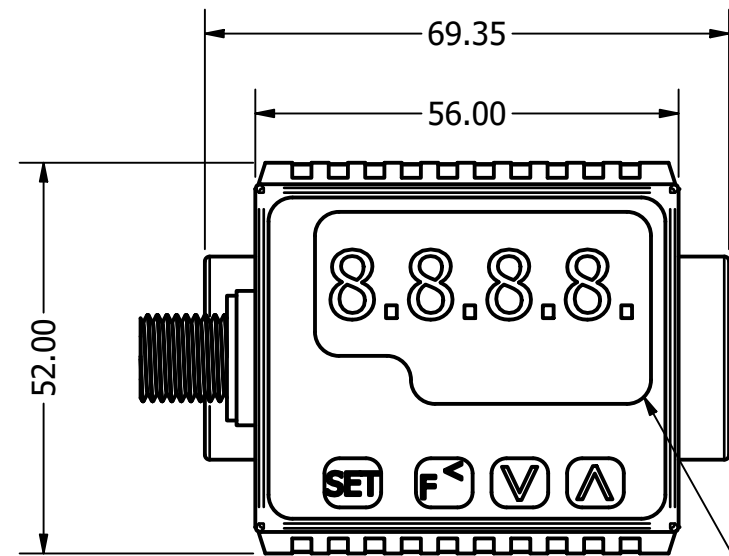
3

2

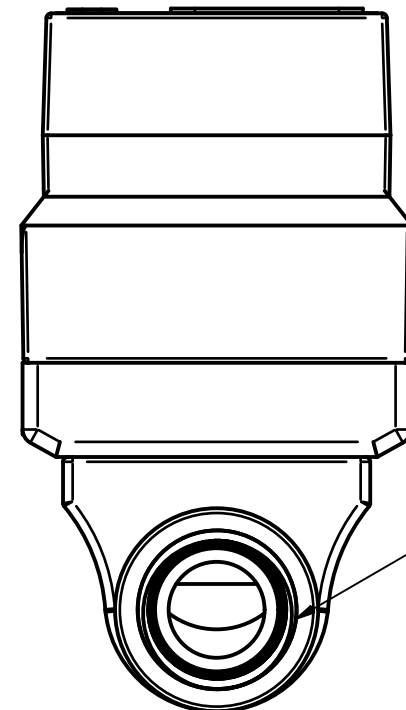
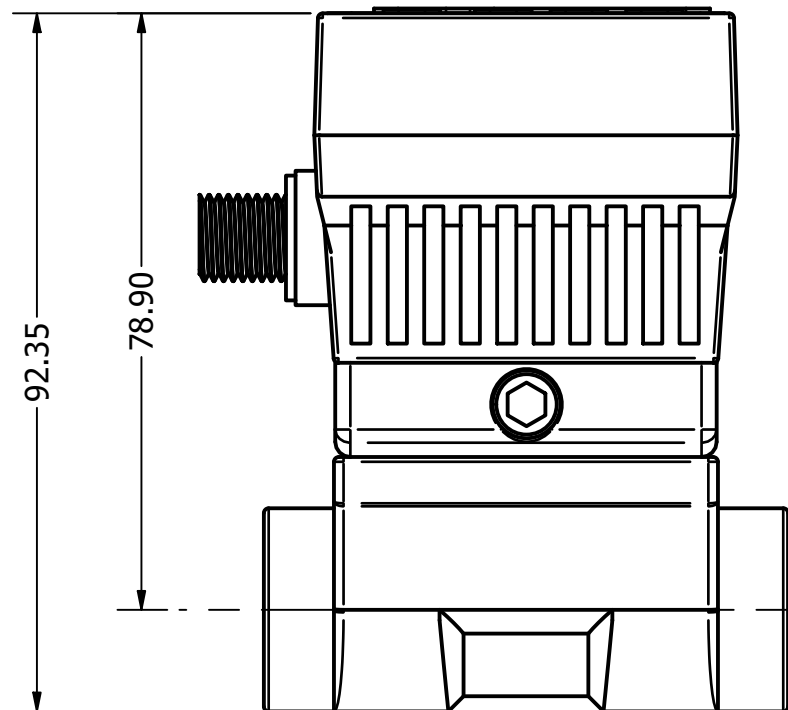
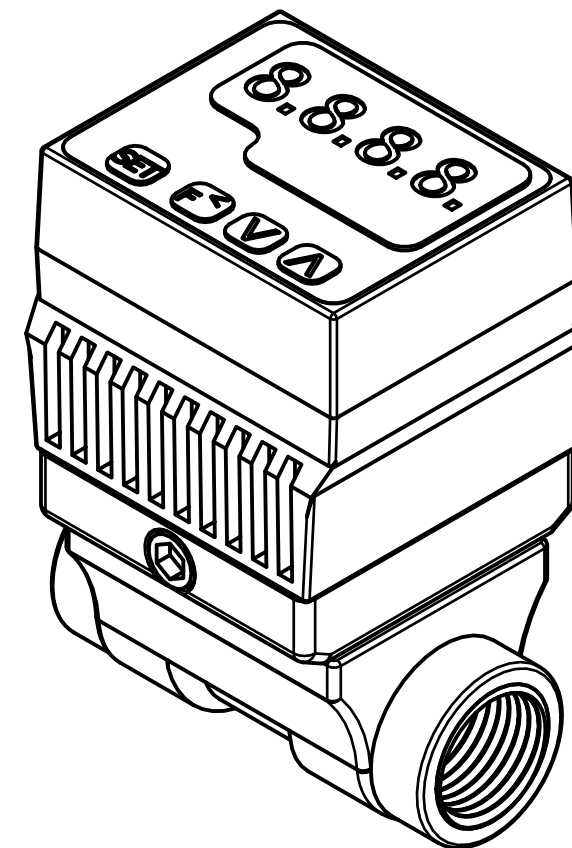
1

B

B



LED DISPLAY



1/2" NPT THREAD ∇ 8.5MM

A

A

A

A

4

3

2

1

ICON PROCESS CONTROLS ADDRESS:- 1075 NORTH SERVICE ROAD W UNITS 1-4, OAKVILLE, ON L6M2G2 EMAIL:- SALES@ICONPROCON.COM PHONE:- 905-469-9283	DRAWN Sohia CHECKED CSR	2020-07-24 CSR	Corrosion-Free Instrumentation Equipment	
	PROJECTION 	UNITS MM		DESCRIPTION:- TK3_S_M_P-15-SS
	COPYRIGHT © ICON PROCESS CONTROL CA. ALL RIGHTS RESERVED. NOTE:- • DRAWINGS NOT TO SCALE • DIMENSIONS SUBJECT TO CHANGE	SIZE B	PART NO:- TK3_S_M_P-15-SS	SCALE 1 : 1
			SHEET 1 OF 1	