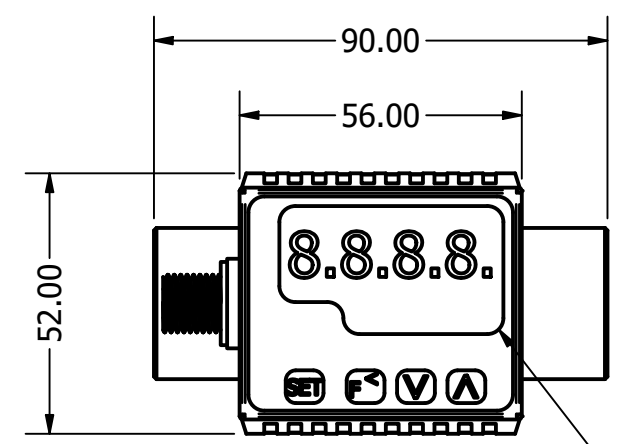
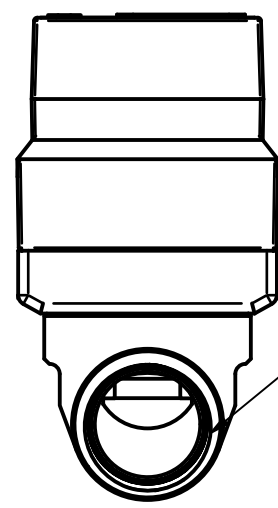
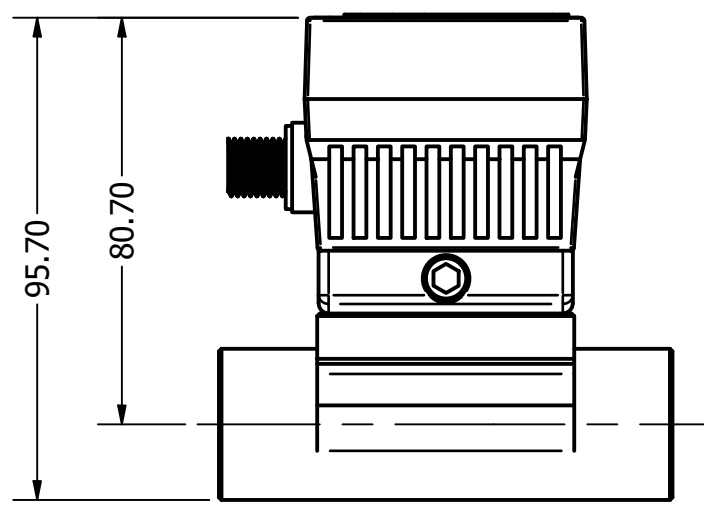
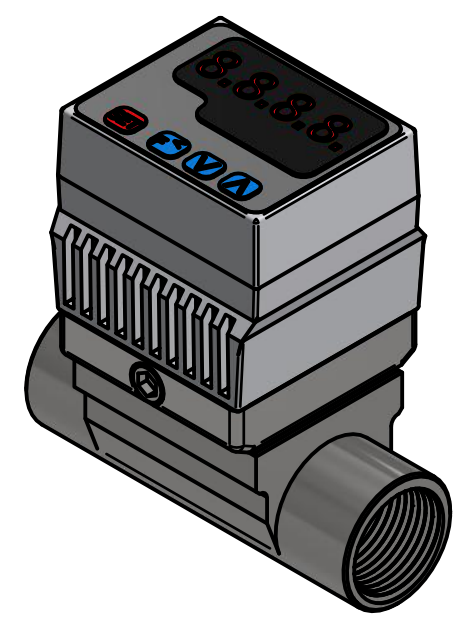


4 3 2 1



LED DISPLAY



3/4" NPT THREAD ∇20MM

B

B

∇

∇

A

A

4 3 2 1

ICON PROCESS CONTROLS ADDRESS:- 1075 NORTH SERVICE ROAD W UNITS 1-4, OAKVILLE, ON L6M2G2 EMAIL:- SALES@ICONPROCON.COM PHONE:- 905-469-9283	DRAWN Sohia	2020-07-30	Corrosion-Free Instrumentation Equipment		
	CHECKED CSR	CSR		DESCRIPTION:- TK3-S_M_P-20-SS	
	PROJECTION 	UNITS MM	SIZE B		PART NO:- TK3_S_M_P-20-SS
	COPYRIGHT © ICON PROCESS CONTROL CA. ALL RIGHTS RESERVED. NOTE:- • DRAWINGS NOT TO SCALE • DIMENSIONS SUBJECTED TO CHANGE	SCALE 1 : 1.5	SHEET 1 OF 1		