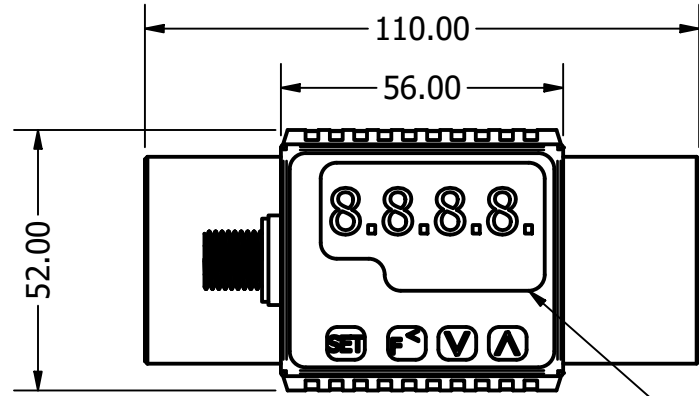


4

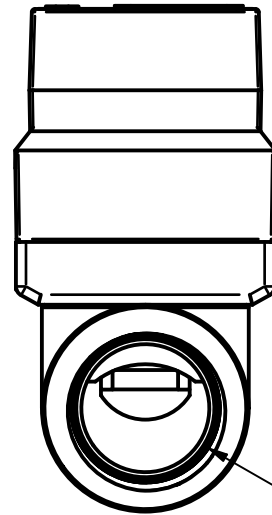
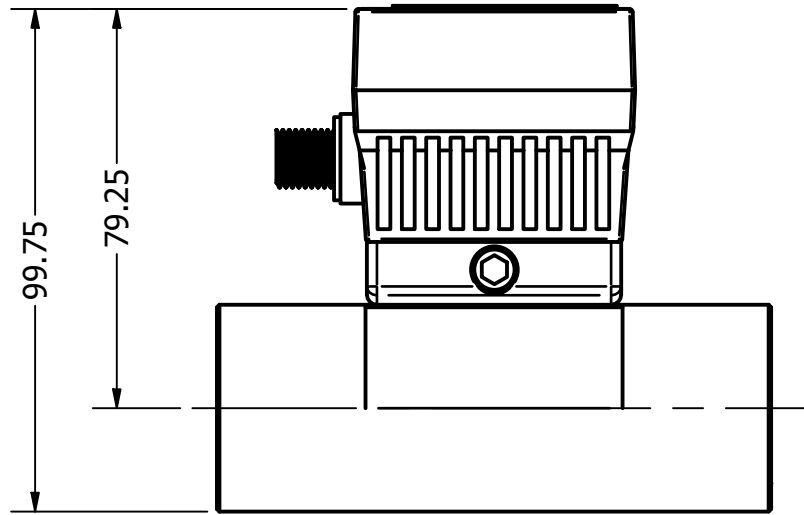
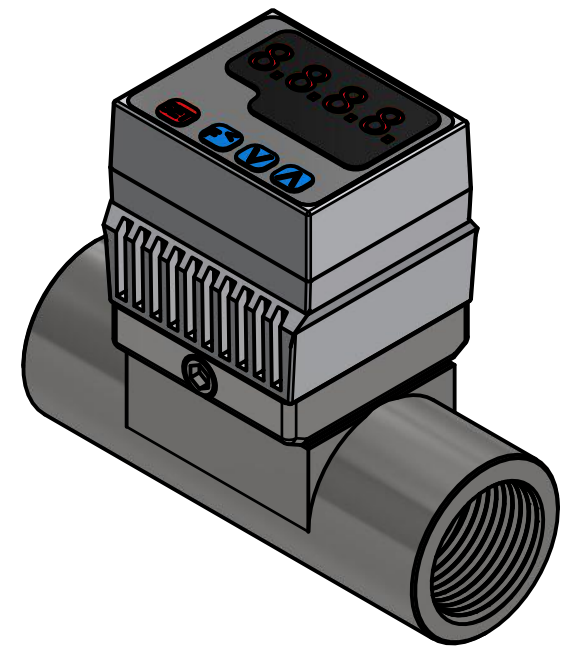
3

2

1



LED DISPLAY



1" NPT THREAD ±20MM

ICON PROCESS CONTROLS ADDRESS:- 1075 NORTH SERVICE ROAD W UNITS 1-4, OAKVILLE, ON L6M2G2 EMAIL:- SALES@ICONPROCON.COM PHONE:- 905-469-9283	DRAWN Sohia CHECKED CSR	2020-07-30 CSR	Corrosion-Free Instrumentation Equipment	
	PROJECTION 	UNITS MM		DESCRIPTION:- TK3_S_M_P-25-SS
	COPYRIGHT © ICON PROCESS CONTROL CA. ALL RIGHTS RESERVED. NOTE:- • DRAWINGS NOT TO SCALE • DIMENSIONS SUBJECT TO CHANGE	SIZE B	PART NO:- TK3_S_M_P-25-SS	SCALE 1 : 1.5
			SHEET 1 OF 1	

4

3

2

1